

# Duo 2 PoE

Duo 2 PoE can stitch two views into one with no gap, realizing true two-camera combination. It brings a smoother image with double field of view and without overlapping part! It can not only detect moving people and vehicles, but also detect your cats and dogs. Also, with the built-in mic and speaker, it's quite easy to respond to the coming person, car, or pet.

## 1. Specs



1	Lens
2	Daylight Sensor
3	Spotlight
4	IR LED
5	Mic
6	Mounting Bracket



1	Micro SD Card Slot
2	Reset Button
3	Speaker

## 2. Setup and Install

### Set up the Camera

#### What's in the Box

**Note:** The package content may vary and update with different version and platforms, please take the below information only for a reference. And the actual package content are subject to the latest information on the product selling page.

Duo 2 PoE



Reolink Duo 2 PoE\*1



1m Network Cable\*1



Quick Start Guide\*1



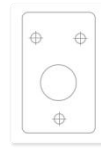
Surveillance Sticker\*1



Mounting Plate \*1



Pack of Screws\*1



Mounting Hole Template  
\*1



Screwdriver\*1

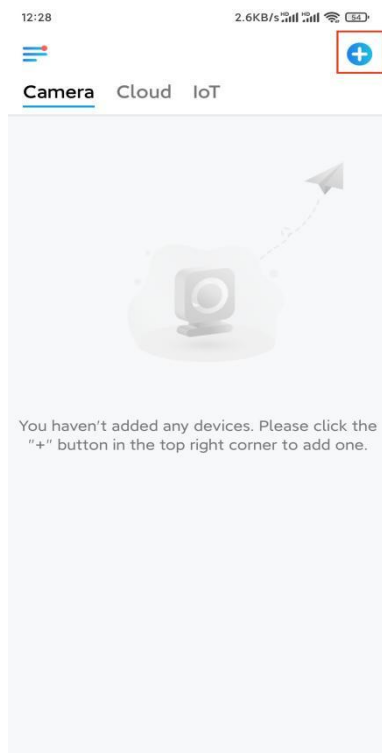


Waterproof Lid \*1

## Set up the Camera on the App

Here is a guide on how to initially set up the camera via Reolink App.

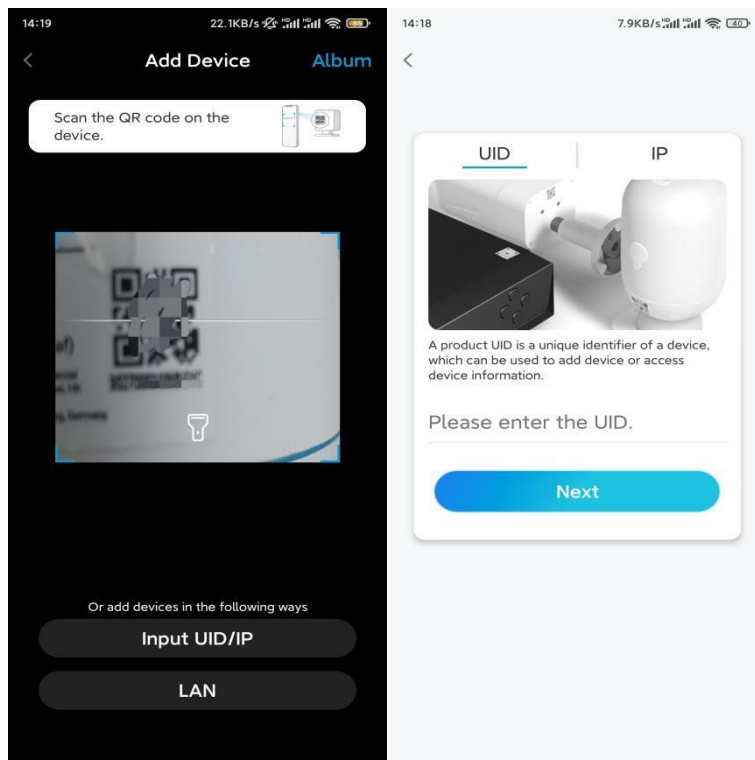
**Step 1.** Tap the icon  in the top right corner.



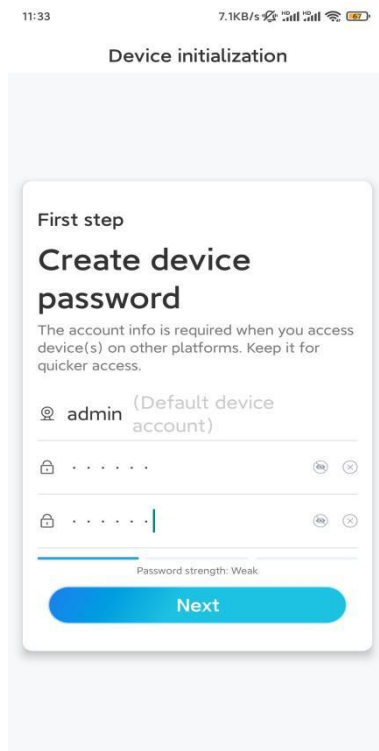
**Note:** If you've enabled the **Add Device Automatically** option on the App's Settings page, you can tap this device on the **Devices** page and turn to **Step 3** directly.

**Step 2.** Scan the QR code on the back of the camera. You may tap **Light** to enable a flashlight when setting up the camera in a dark environment.

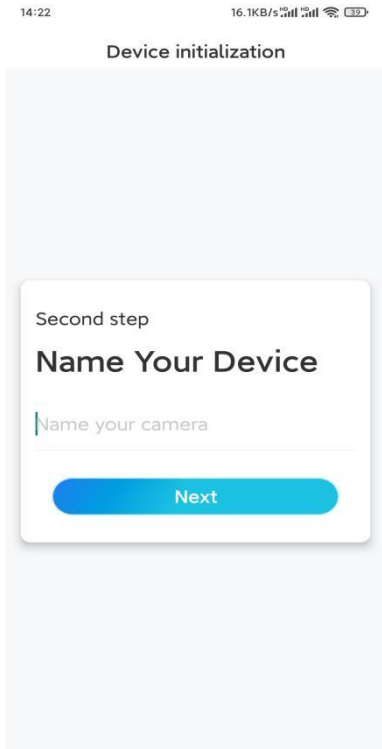
If the phone doesn't respond, please tap **Input UID/IP** and then manually type in the UID (16-digit characters under the QR code of the camera). Then tap **Next**.



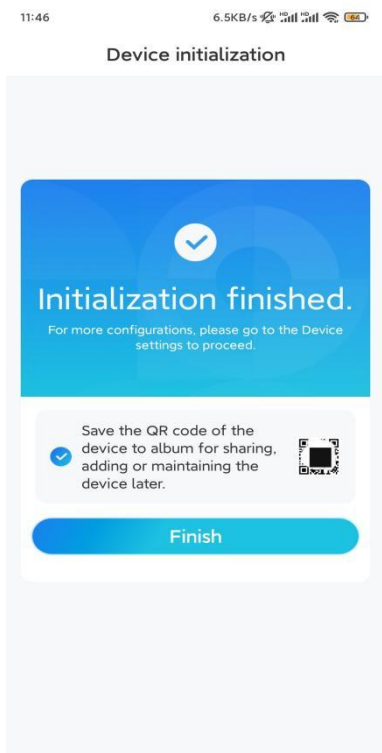
**Step 3.** Create a login password for your camera. Then tap **Next**.



**Step 4.** Name your camera. Then tap **Next**.



**Step 5.** Initialization finished! You can start live viewing now.



## Install the Camera

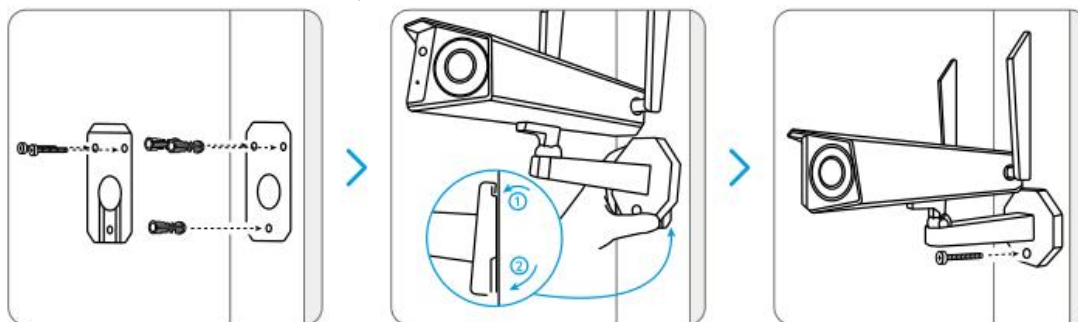
We offer you guides on different scenes in which the camera could be installed.

Check out them respectively.

## Mount the Camera on the Wall

**Step 1.** Screw the camera onto the wall.

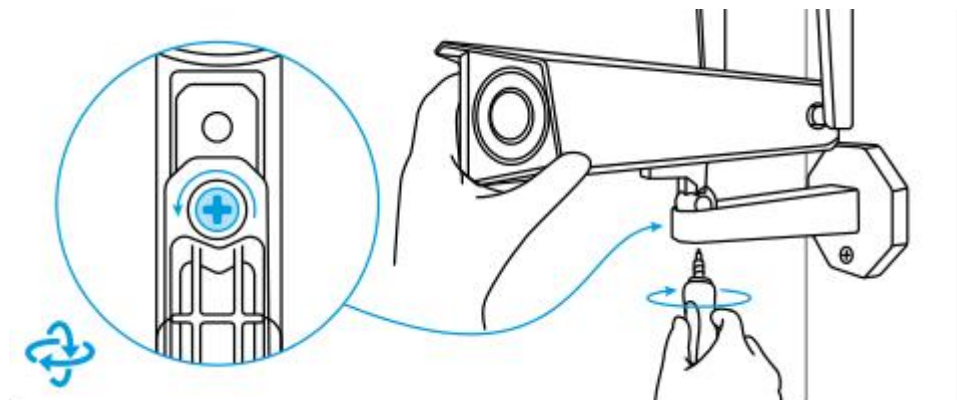
- Drill holes in accordance with the mounting template.
- Next, secure the mounting plate to the wall with the upper two screws and hang the camera on it.
- Then fix the camera in position with the lower screw.



**Note:** Use the drywall anchors included in the package if needed.

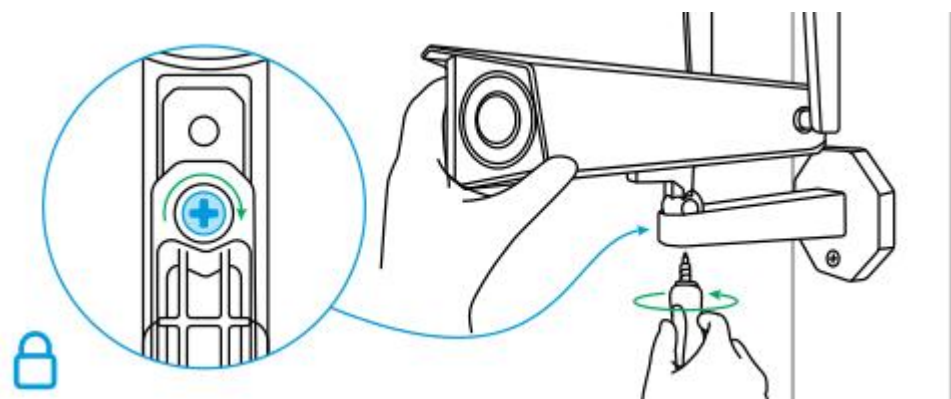
**Step 2.** Adjust the camera's view.

Loosen the adjustment screw on the security mount with the screwdriver (also included in the box) and turn the camera until you get the ideal view.



**Step 3.** Fix the camera firmly.

Tighten the adjustment screw to keep the camera still.

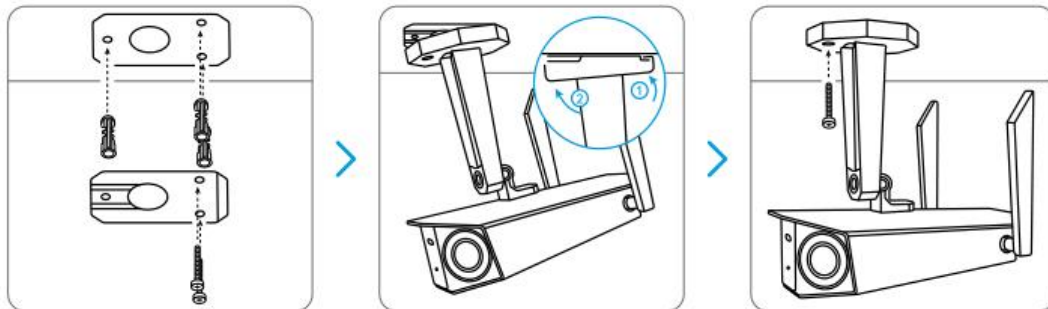


Done! You've successfully mounted your camera on the wall.

## Mount the Camera on the Ceiling

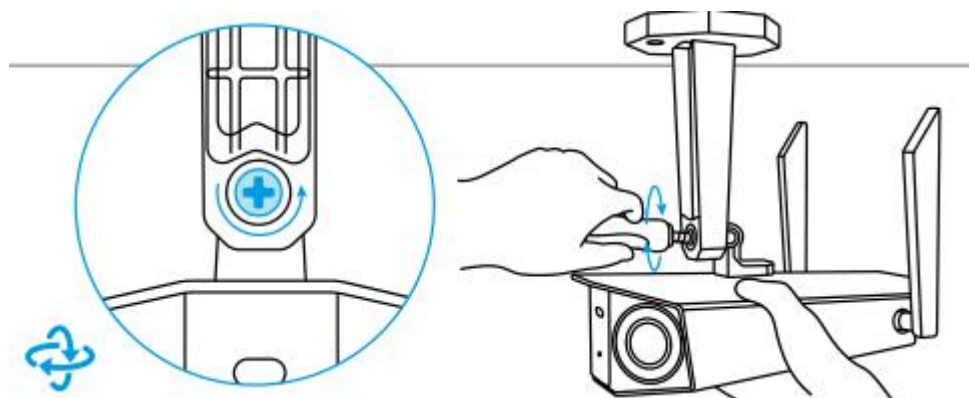
**Step 1.** Screw the camera onto the ceiling.

- Drill holes in accordance with the mounting template.
- Next, secure the mounting plate on the ceiling with the upper two screws and hang the camera on it.
- Then fix the camera in position with the lower screw.



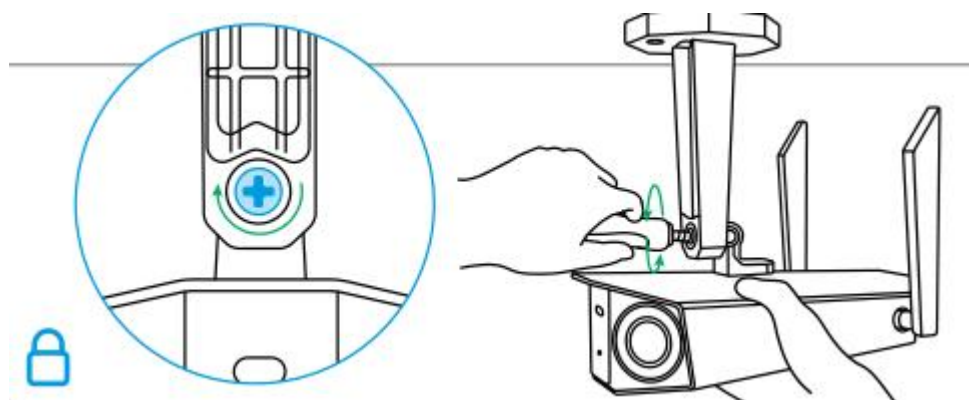
**Step 2.** Adjust the camera's view.

Loosen the adjustment screw on the security mount with the screwdriver (also included in the box) and turn the camera until you get the ideal view.



**Step 3.** Fix the camera firmly.

Tighten the adjustment screw to keep the camera still.



Finished! Now you may start using your camera.