



WELDING
HELMETS



LEVEL UP.

Up your welding game with our best Sentinel yet.

SENTINEL™ A60

CONTENTS



WELDING HELMETS

Sentinel™ A60	5-5
Savage™ A40	5-6
Swarm A30 Welding Helmet	5-7
Swarm A20 Welding Helmet	5-8
Swarm™ A10 Welding Helmet	5-9
P-10 Passive Shade 10 Helmet	5-10
Savage A40 PAPR	5-11

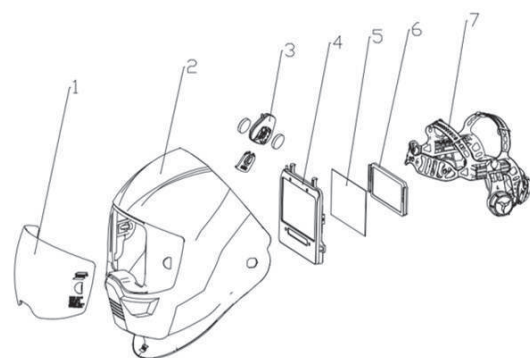
WELDING HELMETS



SENTINEL™ A60

Professional Shade 3/5-13 Auto-Darkening Welding Helmet

- ADF viewing area: 118 x 71 mm (4.65 x 2.80 in.) and intuitive internal ADF controls including sensitivity and delay
- Shade range: DIN 3/5-13m adjustable in 0.5 increments for more precise control over your viewing area.
- ESAB OptCS True Color Lens Technology provides broad spectrum light control and delivers an enhanced True Color view with reduced eye fatigue for the most demanding days on the job
- On-board memory for up to 9 settings
- Four arc sensors for higher auto darkening response
- Fast switching time of 0.08 millisecond
- Replaceable CR2450 battery
- Low battery indicator and share lock LEDs
- Low profile external grind mode for easy activation without having to remove the helmet



Specifications	
Viewing Area	118 x 71 mm (4.65 x 2.8 in.)
Active Lens Shade	5-13 (Adjustable in 0.5 shade increments)
Passive Lens Shade	3
Power Supply	2 CR2450 batteries, replaceable
Arc Sensors	4
Switch Time (Light to Dark)	1/25,000 s
Switch Time (Dark to Light)	Digitally adjustable from 0.1 to 0.9 s
CE Optical Classification	1/1/1/1
Standards and Certifications	CE: EN175; EN379; EN166 ANSI: Z87.1 CSA: Z94.3 AS/NZS 1338.1 ISO 16321 +TIG
Weight	644 g (1.4 lbs)

Ordering Information

Sentinel A60 Helmet 0700600860

Delivery includes: Full helmet assembly, 2 replacement inner lenses, 4 replacement outer lenses, carry bag, durag and safety manual.

Visit esab.com for more information.

Wear and Spare Parts & Accessories		
1	Sentinel A60 Front Cover Lens – Clear	0700600880
1	Sentinel A60 Front Cover Lens – Amber	0700600881
1	Sentinel A60 Front Cover Lens - Clear HC*	0700600882
1	Sentinel A60 Front Cover Lens – Amber HC*	0700600883
2	Sentinel A60 Helmet Shell	0700600863
4	Sentinel A60 Auto Darkening Filter ADF (excl. batteries)	0700600865
5	Sentinel A60 Inside Cover Lens	0700600866
7	Sentinel A60 Halo Headgear	0700600867
	Sentinel A60 Front Sweat band	0700600869
	Sentinel A60 Magnifying Lens +1.0 diopter **	0700600872
	Sentinel A60 Rear Sweat band	0700600884
	Sentinel A60 Magnifying Lens +1.5 diopter **	0700600873
	Sentinel A60 Magnifying Lens +2.0 diopter **	0700600874
	Sentinel A60 Magnifying Lens +2.5 diopter **	0700600875

* HC Lenses include an anti-scratch hard coat for longer life.
** Magnifying Lenses are optional accessories not included with the complete helmet. The magnifier bracket is included with these lenses.



SAVAGE™ A40

Professional Auto-Darkening Welding Helmet

- External shade adjustment between DIN 9 and DIN 13 and an optical class of 1/1/1/2. Delay and sensitivity can be adjusted from the inside
- Four arc sensors for higher auto darkening response
- Wider coverage and a larger viewing area of 100 x 50 mm (3.93 x 1.96 in.) that offers a wide field of vision and increased spatial awareness
- Sensitivity control is an adaptable feature useful when welding low amp TIG for better reaction to darker arc light
- Delay control enabling the welder to set how long the lens stays dark after the welding arc stops. Short delay helps get the job done faster during tack welding, whilst longer delay is useful for high amperage welding
- Externally activated Grind Button. Shade 4 Grind Mode
- True Color allowing for a brighter view and enhanced color definition



Specifications	
Cartridge Dimensions	110 x 90 x 7.8 mm (4.33 x 3.54 x 0.3 in.)
Viewing Area	100 x 50 mm (3.93 x 1.96 in.)
Lens Shade	DIN 4, 9-13 Automatic
Power Supply	Solar cell, replaceable battery (1*CR2450 lithium). Alerts when battery is low
Arc Sensors	4
Switch Time, from Dark to Light	0.1-0.9 s
Switch Time Light to Dark at 23°C	0.07 ms
CE Optical Classification	1/1/1/2
Standards and Certifications	CE: EN175; EN379; EN166 ANSI: Z87.1 CSA: Z94.3
Weight	500 g (1.1 lbs)

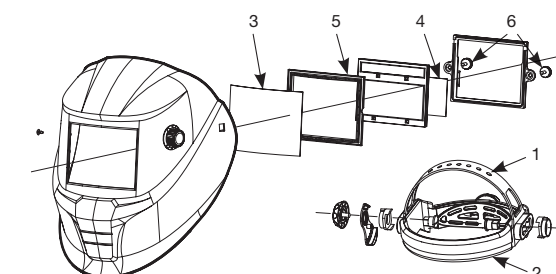
Ordering Information

Savage A40 Helmet (Black)	0700000490
Savage A40 Helmet (Yellow)	0700000491

Delivery includes: Full helmet assembly, safety manual.

Visit esab.com for more information.

Wear and Spare Parts & Accessories		
1	Head Gear	0700000483
2	Sweat Band	0700000414
3	Front Cover Lens	0700000010
4	Inside Cover Lens	0700000482
5	ADF Cradle	0700000418
6	Lens Retainer with Screw	0700000419
	Magnifying Lens +1.0 Diopter	0700000084
	Magnifying Lens +1.5 Diopter	0700000085
	Magnifying Lens +2.0 Diopter	0700000086
	Magnifying Lens +2.5 Diopter	0700000087





WELDING HELMETS



SWARM™ A30

Auto-Darkening Welding Helmet

- ADF viewing area: 98 x 43 mm (3.85 x 1.7 in.)
- Shade range: DIN 4/9-13
- Grind mode via internal switch
- CE Optical class: 1/1/1/2
- Four arc sensors for higher auto darkening respons
- Fast switching time of 0.08 millisecond
- Internally-mounted and fully-adjustable delay and sensitivity settings
- Replaceable 1 x CR2450 battery
- Low battery indicator LED
- ADF test button



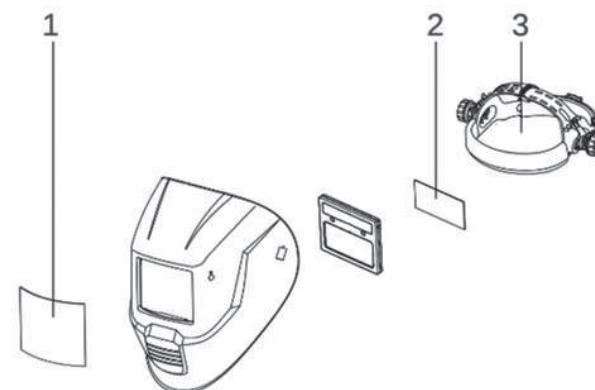
Specifications	
Viewing Area	98 x 43 mm (3.85 x 1.7 in.)
Active Lens Shade	9-13 (Adjustable)
Passive Lens Shade	4
Power Supply	1 CR2032 battery, replaceable
Arc Sensors	4
Switch Time (Light to Dark)	0.08 ms
CE Optical Classification	1/1/1/2
Standards and Certifications	CE: EN175; EN379; EN166 ANSI: Z87.1 CSA: Z94.3
Weight	520g (1.1 lbs)

Ordering Information	
Swarm A30 Helmet	0700102044

Delivery includes: Full helmet assembly, Safety Manual.

Visit esab.com for more information.

Wear and Spare Parts		
1	Swarm A10 / A20 / A30 Front Cover Lens 5 PCS	0700102036
2	Swarm A30 Inner Cover Lens 5 PCS	0700102046
3	Swarm A30 Headgear	0700102050



SWARM™ A20

Auto-Darkening Welding Helmet

- ADF viewing area: 93 x 43 mm (3.6 x 1.7 in.)
- Shade range: DIN 9-13 (adjustable)
- CE Optical class: 1/1/1/2
- Arc sensors: 2
- Fast switching time of 0.1 millisecond
- Fully-adjustable delay and sensitivity settings
- Replaceable CR2032 batteries (1)
- Low battery indicator LED
- ADF test button
- External grind mode for easy activation without having to remove the helme



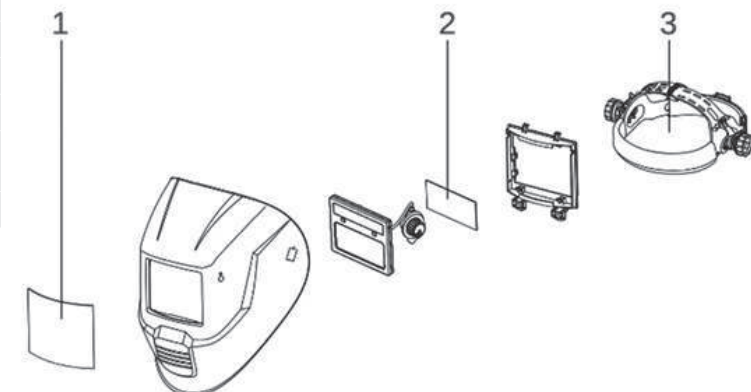
Specifications	
Viewing Area	93 x 43 mm (3.6 x 1.7 in.)
Active Lens Shade	9-13 (Adjustable)
Passive Lens Shade	4
Power Supply	1 CR2032 battery, replaceable
Arc Sensors	2
Switch Time (Light to Dark)	0.1 ms
CE Optical Classification	1/1/1/2
Standards and Certifications	CE: EN175; EN379; EN166 ANSI: Z87.1 CSA: Z94.3 Brazil CA
Weight	520g (1.1 lbs)

Ordering Information	
Swarm A20 Helmet	0700102043

Delivery includes: Full helmet assembly, safety manual.

Visit esab.com for more information.

Wear and Spare Parts		
1	Swarm A10 / A20 / A30 Front Cover Lens 5 PCS	0700102036
2	Swarm A10 / A20 Inner Cover Lens 5 PCS	0700102038v
3	Swarm A10 / A20 Headgear	0700102037





WELDING HELMETS



SWARM™ A10

Auto-Darkening Welding Helmet

- ADF viewing area: 92 x 42mm (3.6 x 1.65 in.)
- Active lens shade: DIN 11 (fixed)
- CE Optical class: 1/1/1/2
- Arc sensors: 2
- Fast switching time of 0.1millisecond
- 2-position adjustable delay and 3-position adjustable sensitivity
- Replaceable CR2032 batteries (2)
- Low battery indicator LED



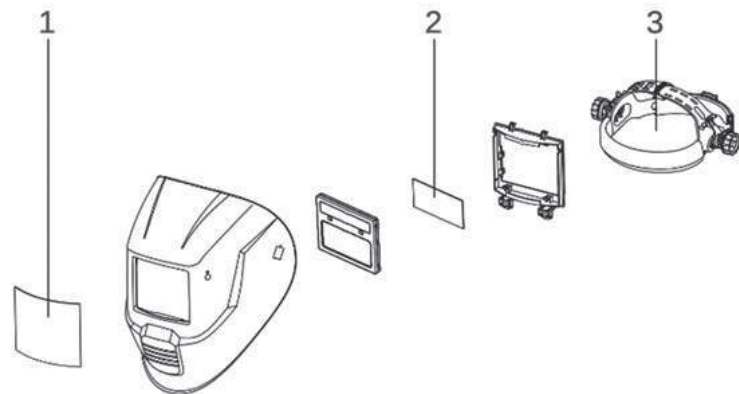
Specifications	
Viewing Area	92 x 42 mm (3.6 x 1.65 in.)
Active Lens Shade	11 (fixed)
Passive Lens Shade	3
Power Supply	2 CR2032 batteries, replaceable
Arc Sensors	2
Switch Time (Light to Dark)	0.1 ms
CE Optical Classification	1/1/1/2
Standards and Certifications	CE: EN175; EN379; EN166 ANSI: Z87.1 CSA: Z94.3 Brazil CA
Weight	480g (1.05 lbs)

Ordering Information	
Swarm A10 Helmet	0700102042

Delivery includes: Full helmet assembly, safety manual.

Visit esab.com for more information.

Wear and Spare Parts		
1	Swarm A10 / A20 / A30 Front Cover Lens 5 PCS	0700102036
2	Swarm A10 / A20 Inner Cover Lens 5 PCS	0700102038
3	Swarm A10 / A20 Headgear	0700102037



P-10 WELDING HELMET

Passive Welding Helmet

- Large viewing area: 133 x 114 mm (5.25 x 4.5 in.)
- Filter thickness: 3mm (0.12 in)
- Shade: DIN 10
- Easy-adjust ratcheting headgear
- Durable PP shell
- UV/IR protection: DIN 16



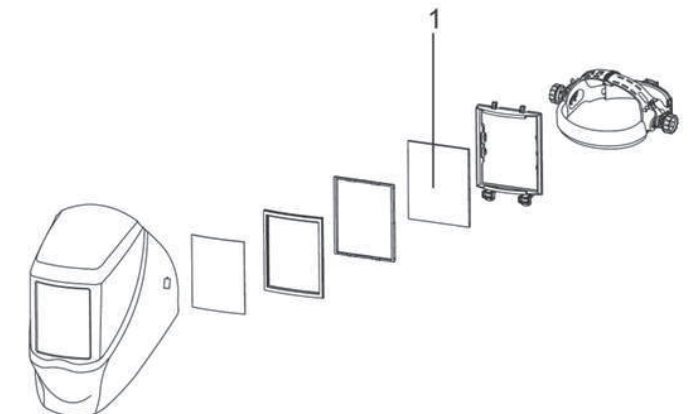
Specifications	
Viewing Area	133 x 114 mm (5.25 x 4.5 in.)
Passive Lens Shade	DIN 10
Standards and Certifications	ANSI: Z87.1 CSA: Z94.3
Weight	490 grams (1.08 lbs)

Ordering Information	
P-10 Passive Shade 10 Welding Helmet	0700102052

Delivery includes: Ready-to-use P-10 welding helmet, safety manual.

Visit esab.com for more information.

Wear and Spare Parts		
1	P-10 replacement Shade 10 filter lens	0700102051





SAVAGE™ A40 PAPR

Professional Automatic Welding Helmet with NIOSH-Approved PAPR

- NIOSH-approved PAPR filtration system delivers three setting adjustable flow from 170 to 230 liters per minute
- Convenient push-button interface with easy to read LCD display for PAPR adjustment
- High efficiency 2 stage filtration system with spark arrestor for added safety
- LCD display indicating fan speed, flow rate and battery charge level with additional audible alert for low battery
- High quality shielded air tube with simple connections
- Fully adjustable PAPR harness and multi-point helmet headgear adjustment for total comfort
- Four sensor ADF with adjustable shade, sensitivity and delay controls to dial in the precise darkness and reaction speed



Specifications	
Cartridge Dimensions	110 x 90 x 7.8 mm (4.33 x 3.54 x 0.3 in.)
Viewing Area	100 x 50 mm (3.93 x 1.96 in.)
Lens Shade	DIN 4, 9-13 Automatic
Power Supply (helmet)	Replaceable CR2450 battery with solar cell back-up. Alerts when battery is low
Power Supply (PAPR)	4400mAh Li-Ion rechargeable battery (charger included). Alerts when battery is low.
Sensors	4
Switch Time, from Dark to Light	0.1-0.9 s
Switch Time, at 23°C (73°F)	0.07 ms
CE Optical Classification	1/1/1/2
Standards and Certifications	NIOSH ANSI Z87.1 CE: EN379; EN175 AS/NZS 1338.1 CSA Z94.3
Weight	1350 g (2.97 lbs)

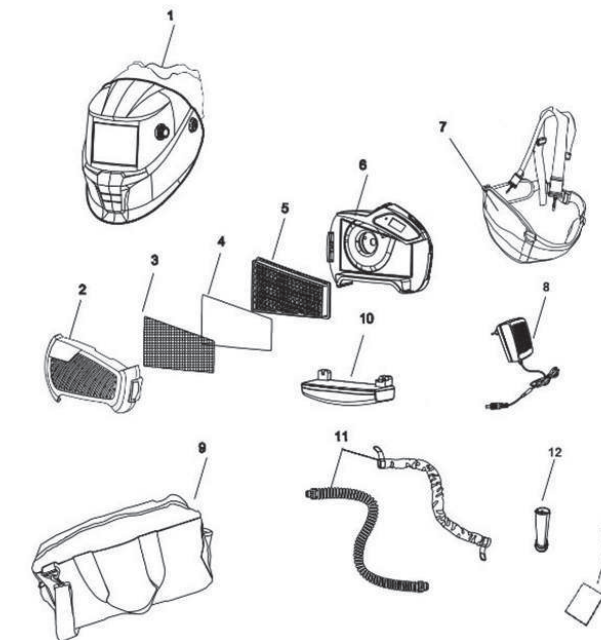
Visit esab.com for more information.

Ordering Information	
Savage A40 Helmet (Black) with NIOSH PAPR	0700002400

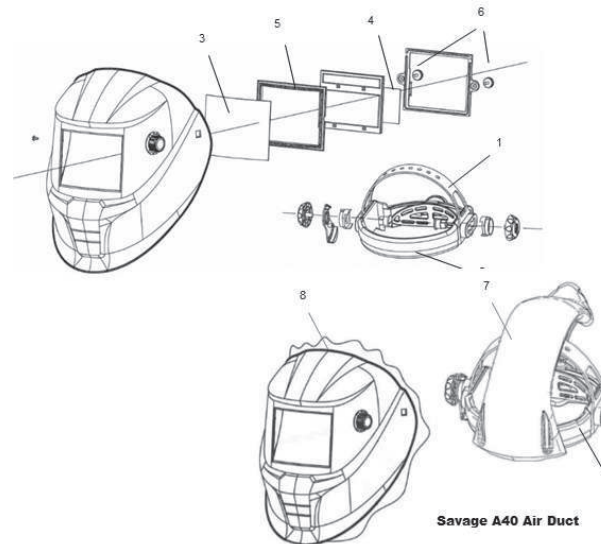
Kit includes: Full helmet assembly; PAPR blower; hose; (2) Li-Ion batteries; (5) inner lenses; ((3) outer lenses; (2) P3 particulate filters; (5) prefilters; (2) spark arrestors; heavy duty carry duffel bag

Options & Accessories	
Breathing Tube 1 m (3.3 ft) w/ Cloth NIOSH-PAPR	0700002409
Magnifying Lens +1.0 Diopter	0700000084
Magnifying Lens +1.5 Diopter	0700000085
Magnifying Lens +2.0 Diopter	0700000086
Magnifying Lens +2.5 Diopter	0700000087
Filter Cover	0700002402
Pre-Filter NIOSH - PAPR (5)	0700002404
Main Filter NIOSH - PAPR	0700002403
Standard Battery NIOSH - PAPR	0700002407

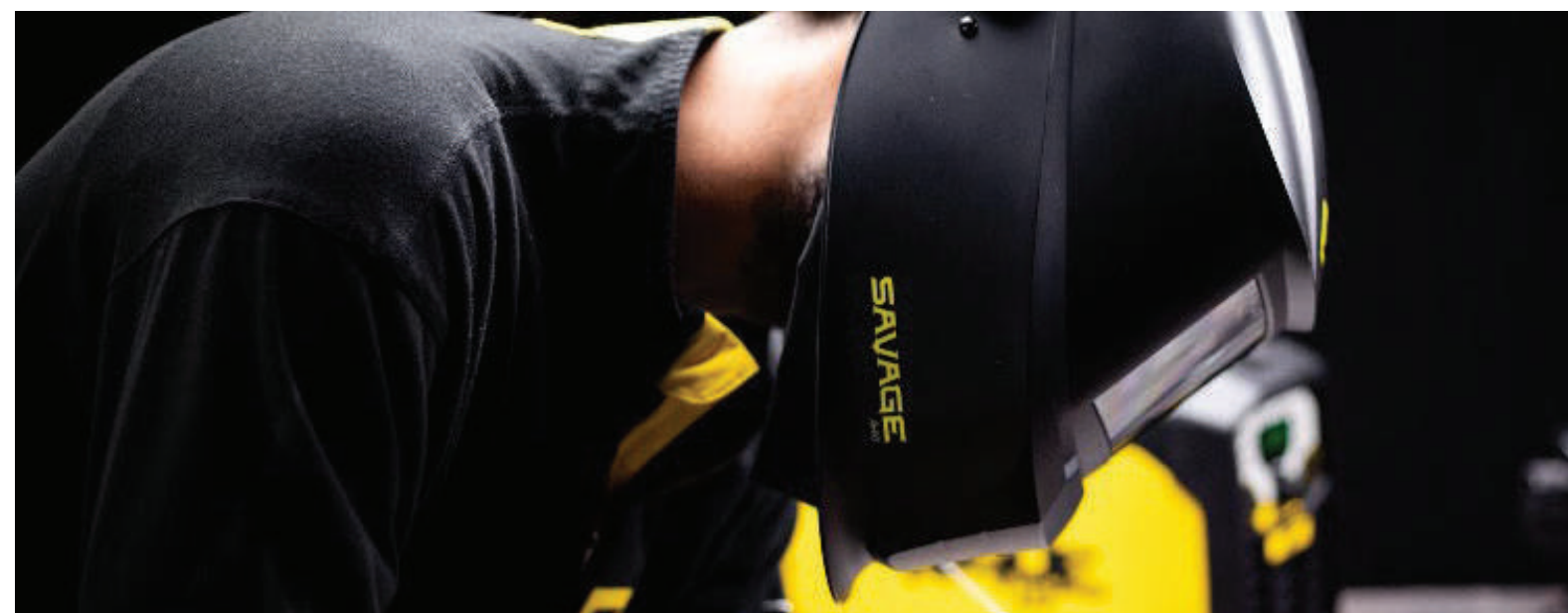
Wear and Spare Parts (PAPR System)		
1	Savage A-40 9-13 Helmet Prepared for PAPR	0700500400
2	Filter Cover NIOSH-PAPR	0700002402
3	Spark Arrestor NIOSH-PAPR	0700002405
4	Pre-Filter NIOSH-PAPR (5)	0700002404
5	Main Filter NIOSH -PAPR	0700002403
6	Blower Unit NIOSH-PAPR	0700002406
7	Waist Belt w/ Shoulder Strap NIOSH-PAPR	0700002411
8	Battery Charger NIOSH-PAPR	0700002414
9	Carrier Bag NIOSH-PAPR	0700002415
10	Standard Battery NIOSH -PAPR	0700002407
11	Breathing Tube (1M) w/ Cloth NIOSH-PAPR	0700002409
12	Portable Air Flow Tester NIOSH-PAPR	0700002413



Wear and Spare Parts (Savage ADF Helmet)		
1	Head Gear	0700000483
2	Sweat Band	0700000414
3	Front Cover Lens	0700000010
4	Inside Cover Lens	0700000482
5	ADF Cradle	0700000418
6	Lens Retainer with Screw	0700000419
7	Head Gear with Air Duct	0700500404
8	Face Seal	0700500405



Savage A40 Air Duct





FUEL YOUR WELDING
PASSION WITH ESAB
UNIVERSITY'S **CUSTOMIZED
LEARNING EXPERIENCE**

ESAB University is your online learning destination for welding and fabrication technology. Make personalized playlists of your favorite resources including videos, blogs, articles, webinars and more.

Find out more at esab.com/esab-university.



**BURN AND
EARN**

ESAB REWARDS PROGRAM

**SCAN NOW FOR
EXCLUSIVE SAVINGS.**

Get ESAB's best deals on the products you need most, from PPE to plasma cutters, gas equipment, and welding equipment.



Learn more at esab.com/BurnAndEarn



100% SATISFACTION IS OUR **PROMISE TO YOU.**

Our pledge: To create the best products and give customers complete buying confidence with our 100% Satisfaction Guarantee and the most extensive warranties, including a new lifetime warranty on all Victor® EDGE™ Series 2.0 regulators.

Learn more at esab.com/support/warranty



ESAB / esab.com

