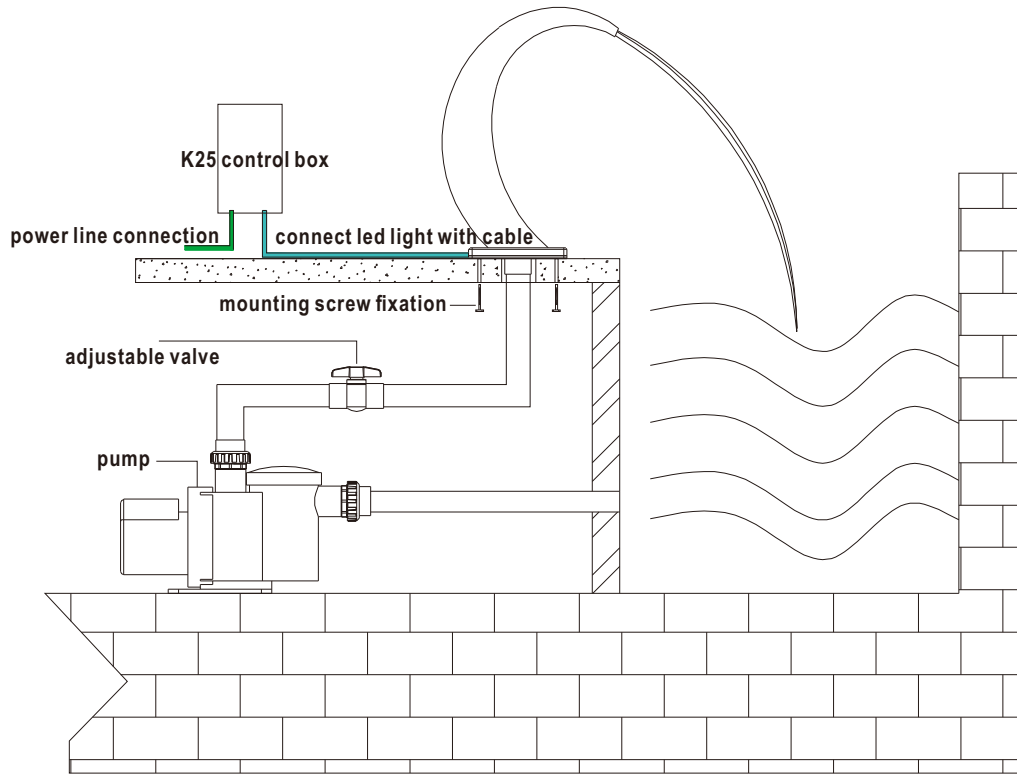


Waterfall General Installation Diagram



Notice:

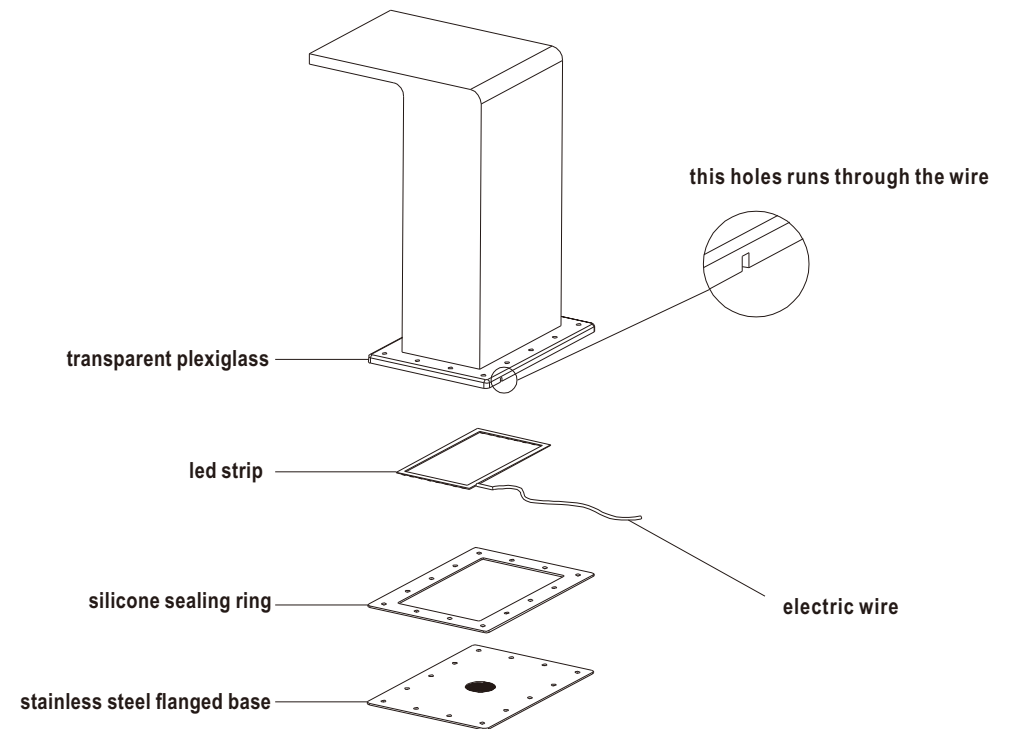
- The waterfall should be installed in a place that can be placed for a long time, generally placed next to the pool, the installation plane should be flat and then reserve enough space for pipeline installation and maintenance.
- The installation plane must have the holes corresponding to the positions of four nuts on the stainless steel base plate and the positions of pipe interfaces, and then screw on the holes to fix the installation plane.
- All applicable local installation codes and regulations must be followed.
- Must be properly installed by professional engineering and technical personnel with examination electrician certificate.
- Only the clean water source filtered by the equipment can be used, otherwise the water impurities will block the waterway and cause product to leak or damage.

Waterfall Series Installation Instruction

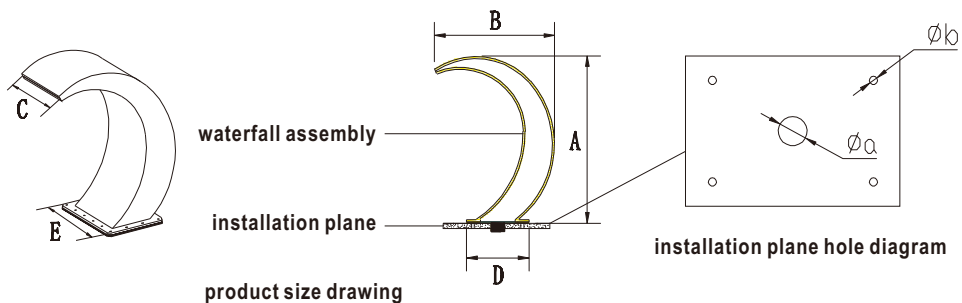
Dear user:

Thank you for choosing our products. In order to enable you to use this product safely and effectively, please read this manual carefully before use.

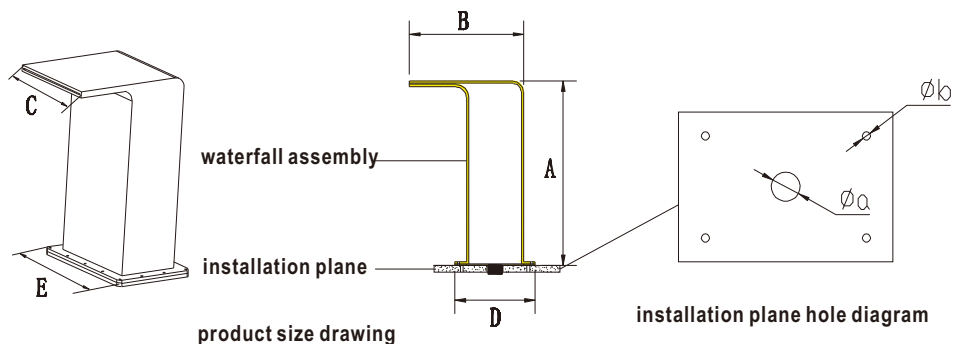
Waterfall Structural Representation



Waterfall Parameter and Installation Opening Diagram:

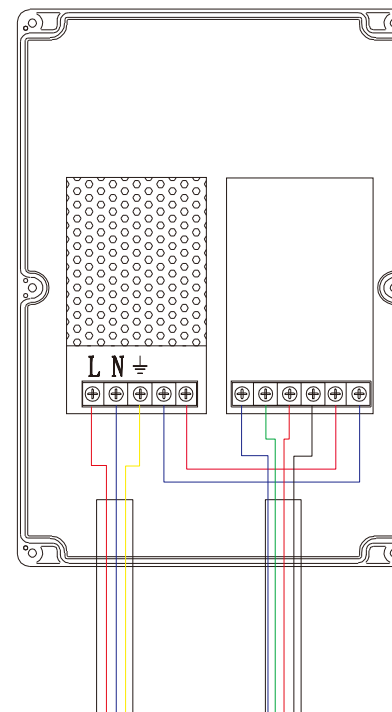


Model	Nozzle size	A (mm)	B (mm)	C (mm)	D (mm)	E (mm)	ϕ_a (mm)	ϕ_b (mm)	power	voltage
WF-300	1.5inch 50mm	603	423.5	320	236	416	55	10	--	--
WF-301	2inch 63mm	750	540.6	395	280	500	68mm	12	--	--
WF-300LED	1.5inch 50mm	603	423.5	320	236	416	55	10	12.0W	DC12V
WF-301LED	2inch 63mm	750	540.6	395	280	500	68mm	12	13.0W	DC12V



Model	Nozzle size	A (mm)	B (mm)	C (mm)	D (mm)	E (mm)	ϕ_a (mm)	ϕ_b (mm)	power	voltage
WF-302	1.5inch 50mm	603	450	300	280	400	55	10	--	--
WF-303	2inch 63mm	800	500	400	350	500	68	12	--	--
WF-302LED	1.5inch 50mm	603	450	300	280	400	55	10	12.0W	DC12V
WF-303LED	2inch 63mm	800	500	400	350	500	68	12	13.0W	DC12V

Waterfall Controller Wiring Diagram:



power input

led light strip wire

Controller Parameter:

model:k25

operating temperature	-20~+40°C
input	AC100V-220V 50/60HZ
output	DC12V/60W
transmission distance	20 m