



EVOLINE

Your Professional Dishwashers partner.



It's our history.

- 1960** Adler was established and started its production on electrical appliances.
- 1975** First Adler professional dishwasher made with model A100.
- 1980** New generation of professional dishwashers made with B100 serie.
- 1993** New generation of professional dishwashers made with fixed rack CF serie.
- 2009** New generation of professional dishwashers made with single skin and ECOLINE serie.
- 2010** New generation of professional dishwashers made with electronic and LED buttons control with TOPLINE serie.
- 2013** New generation of professional dishwashers made with single skin, electronic and LED buttons control with EVOLINE serie.
- 2015** Second generation of ECOLINE and EVOLINE series.
- 2022** Third generation of ECOLINE and EVOLINE series.

It's us.



In 1960 from an ancient spinning mill Adler turned into a new and innovative manufacturing industry specialized in the production of professional dishwashers. With more than 300.000 dishwashers produced and decades of experience on the market, our company has a wide network of distributors all around the world.

Our focus is to develop the best professional washing system and thanks to all our partners year by year we constantly improve, study new and innovative solutions to satisfy all needs of the market.

The customer service offers fast and complete support to all our partners in order to provide the best possible experience with our product. All components to build an Adler machine are carefully selected and supplied from certified companies.

Today Adler have acquired important certification marks which satisfy most of the European and Worldwide standards. Our product and our passion is 100% Italian made!



It's easy.



All machines are user friendly and designed with intuitive solutions to facilitate daily operations and reduce loss of time.

The new control panel is humidity proof and has large dimension multicolor backlight LED buttons, to simplify staff training and use of the machine in low ambience light. The new resized multifunctional digital display through a clear and wide icons shows the different status of the machine. Each dishwasher has multiple cycle programs to wash different type of soiling level. Our passthrough models have both automatic and manual start cycle program.

Now the door handle is redesigned more compact and ergonomic than previous version. The tank and inside parts like filters, wash arms and rack guides are sharp free and easy to remove without the use of tools.

At the end of the day and when the machine is turned off, a specific wash automatic cycle program runs to clean the tank and the internal parts. All service components are positioned in front of the machine and accessible through a quick removal panel to reduce drastically the service time.





It's safe.

Safety means reducing chance of injury to the user and service technician while working with a professional equipment. For this reason we focus constantly on specific design to adapt Adler products to the different working environments.

The entire body, external housing and chassis are made in robust and sturdy inox stainless steel. The inside tank is partially stamped to reduce dirt collection and bacteria proliferation. The door is double insulated with reinforced hinges to ensure safe comfortable use and long life reliability.

Integrated electronic systems like the **Soft Start** function controls the wash pump and gradually increase the power of washing to prevent chipping or breaking of delicate dishes. The automatic **Self Diagnostic** system helps to analyze each function and component of the machine and prevent any possible injury or eventual stop from malfunction. The **Thermostop** system guarantees high temperature during final rinse and complete elimination of the bacteria.

All machines are carefully tested at our factory and through certified laboratories to the strict safety controls in compliance with the European and export standards regulations.



Our mission behind each dishwasher is to guarantee excellent washing results. This is possible only through an accurate search of the best possible combination between mechanical power, water temperature and chemical used.

The wash arms and wash motor pump are designed to deliver efficiently a powerful water flow on the dishes. The double filtration system keeps the washing water clean and separate from dirt particles.

A selection of different cycle programs with different time and temperatures give the opportunity to wash several types of dishes and reach excellent washing results even in the most difficult conditions.

All machines can be equipped with adjustable detergent and rinse aid dispensers to achieve brilliant and perfectly clean dishes without flakes and stains.

The **Watersoftener** system for limescale improves the quality of the water for shiny dishes and preserves also the hydraulic components of the dishwasher.



It's clean.





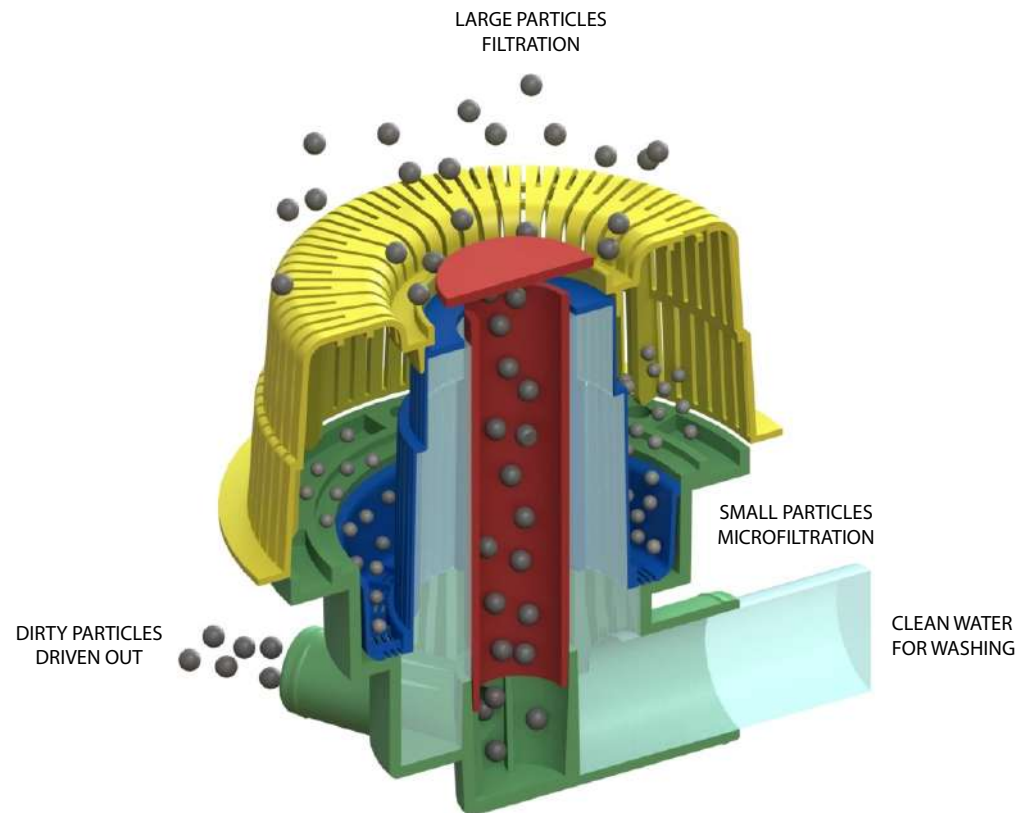
The **dFilter** technology system is developed to keep dirt particles outside of the washing line and guarantee excellent washing performances while preserving the hydraulics components.

During phase 1 large particles are positioned on the external filter. On phase 2 small particles are positioned on the internal filter. On phase 3 micro particles are drained outside of the machine. As a result, the washing water is clean and the hydraulic system line is not exposed to obstruction from the dirt.

The filtration parts are fully moulded and made with high and robust quality composite material including 30% fiberglass to increase resistance to high temperatures and aggressive chemical solutions.

All filters are extremely easy to clean and safe to remove thanks to the simple interlocking system which does not require the use of tool.

dFilter technology





It's green.

Today an important criteria of choosing a professional dishwashers is to consider the water and energy consumption to protect the environmental.

Our innovative wash tank is developed to contain minimum quantity of water to reduce considerably the consumptions. The high thickness structure and the panels keep the temperature inside of the machine so waste of heat and energy is reduced.

The combination of various wash cycle programs and the shape of the wash jets control the water delivered on the dishes. Now the **detergent** and **rinse aid** dispensers are adjustable trough the control panel to reduce chemicals waste. All of this without compromise the washing results.



SMART

When the machine is in stand-by mode the new **EcoSmart** function reduces the energy consumption with optimize heating system.

Adler is committed to respect the environment while manufacturing and distributing its products. Each step from the beginning to the end of the production including parts, material, packaging and shipment are carefully managed in accordance with European sustainable plan.

Water 1,7 lt
Energy 0,13 kW
Chemicals 2,2 gr



only 0,05gr CO₂





Today Adler offers a large variety of dishwashers range with different options and accessories to satisfy most of the working environments and increase your work flow.

It's productive.

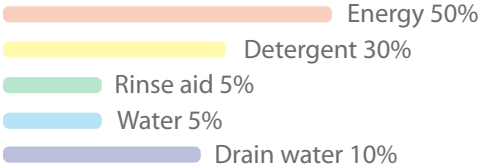
Our mission is to provide the best washing solutions to maximize your productivity and your profit in your kitchen.

It's efficient.

Another important criteria of choosing a professional dishwashers is the costs of management. Minimum water used means also low running costs on water, energy, chemical and time. From our analysis the main factors are: 5% water, 10% drained water, 50% energy, 30% detergent and 5% rinse aid consumption. An efficient washing system has an enormous impact on these factors.

If we reduce the water, the detergent and rinse aid dispensers will need less quantity of chemical to deliver on each wash cycle made. The waiting time during filling, draining and heating phase are reduced. At last the **dFilter** system keeps the water clean inside the tank and reduce the water exchange.

All main electrical parts such as wash pump, drain pump, chemical dispensers, heating elements are built with the latest technologies to guarantee excellent and efficient performances in accordance of low energy consumption.



100 racks (1800 plates)
you need only approx 4,30 euro.



It's our family.



EVO35



EVO40



EVO50

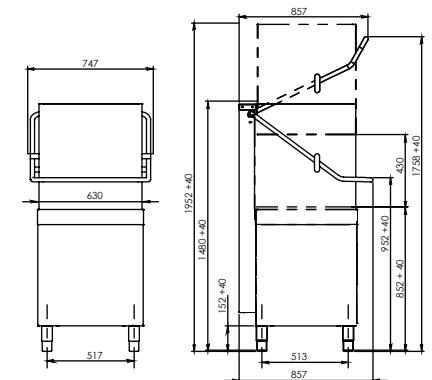
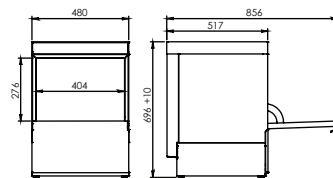
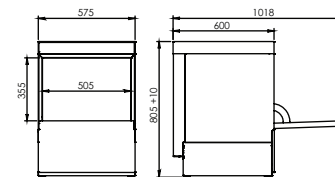
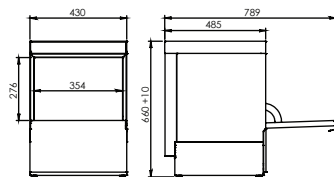


EVO1000

TECHNICAL DATA

		EVO35	EVO40	EVO50	EVO1000
Clear entry height	mm	276	276	355	420
Rack Dimensions	mm	350 x 350	400 x 400	500 x 500	500 x 500
Dimensions	mm	H660 x D485 x W430	H696 x D517 x W480	H805 x D600 x W575	H1480(1952) x D857 x W747
Hourly Production (theoretical*)	racks/h	up to 30	up to 60	up to 60	up to 60
Standard Equipment		1 Univ Rack +1 Cutlery	1 Univ Rack + 1 Cutlery	1 Univ Rack + 1 Plate Rack + 1 Cutlery	1 Univ Rack + 1 Plate Rack + 1 Cutlery
Cycle	sec	60 - 120 - 180 - 240 - 600	60 - 120 - 180 - 240 - 600	60 - 120 - 180 - 240 - 600	60 - 120 - 180 - 240 - 600
Rinse Aid Dispenser		incl	incl	incl	incl
Detergent Dispenser		opt	opt	opt	opt
Drain Pump		opt	opt	opt	opt
Inox Wash Arms		opt	opt	opt	opt
Watersoftener		opt	opt	opt	opt
Temperature Display		incl	incl	incl	incl
Tank Capacity	l	9	11	17	20
Boiler Capacity	l	3	3	7	10
Wash Pump	hp - kW	0.3 - 0,20	0.3 - 0,20	0.75 - 0,55	1 - 0,75
Tank Heating Element	kW	2	2	2,8	4
Boiler Heating Element	kW	2,4	2,4	2,8 - 6	9 - 4
Power Supply	V	230 - 1N	230 - 1N	230 - 1N / 400 - 3N	400 - 3N / 230 - 1N
Max. Power Rating	A - kW	11.5 - 2,5	11.5 - 2,5	15 - 3,4 / 9.6 - 6,6	14.2 - 9,8 / 21 - 4,8
Water Consumption	l	1,7	1,7	1,7	1,7
Inlet Water Pressure	bar - psi	2 to 4 - 30 to 60	2 to 4 - 30 to 60	2 to 4 - 30 to 60	2 to 4 - 30 to 60
Inlet water Temperature	°C - °F	55 - 130	55 - 130	55 - 130	55 - 130
Boiler Temperature	°C - °F	82 - 180	82 - 180	82 - 180	82 - 180
Tank Temperature	°C - °F	55 - 130	55 - 130	55 - 130	55 - 130
Weight	kg	30	38	60	130

* inlet water pressure 2 bar - 30 psi / inlet water temperature 55°C - 150°F



ADLER S.p.A

Professional Dishwashers

Via A. Volta 1/3
24060 Costa di Mezzate (BG) Italy
Tel. +39 035 681001 / 684169

info@adlerspa.it
www.adlerspa.it

We believe in what we create and our passion goes behind in what we make. Our life and our skills are the most valuable things which make us special human beings. Adler is a family team of extraordinary people to share everyday life experience.

Giuseppe Spiaggia

