

Parlé Video Display Mount Kit (PMA 2000-DM) Installation Guide

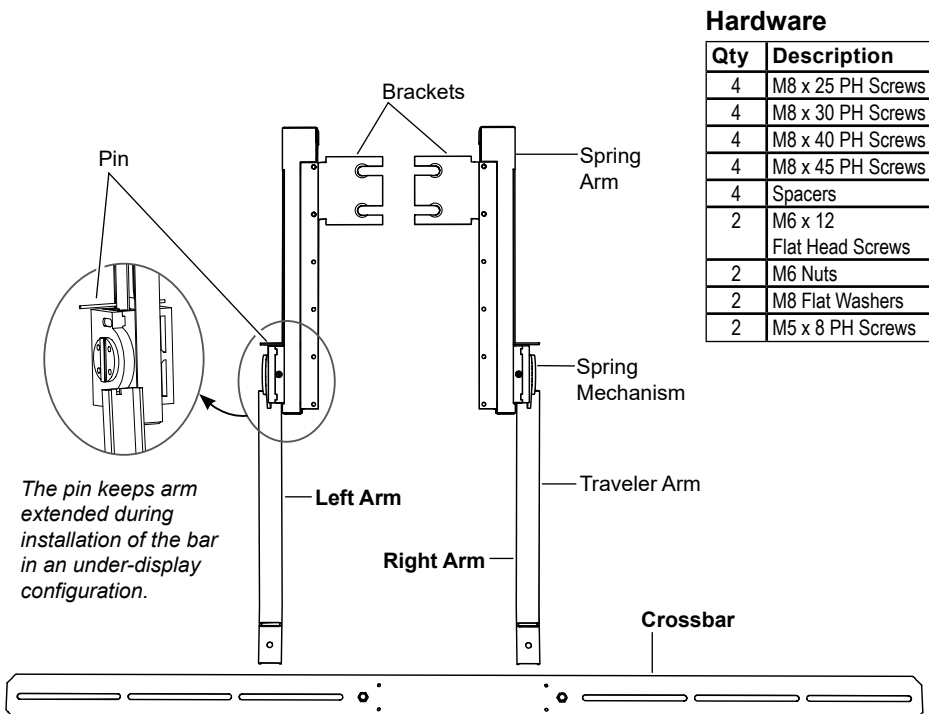
ABOUT THIS KIT

The PMA 2000-DM kit mounts a Parlé 2000 series bar to an (X- or H-type) VESA-mounted video display.

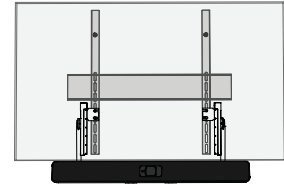
INSTALLATION CONSIDERATIONS

- This kit can be configured so the Parlé bar is above or below the display. In most cases, this can be done without removing the display from the VESA mount.
- Spring tension arms hold the bar against the video display. The brackets and arms may be reconfigured depending on the size of the display, the type of VESA mount, and the bar's position.
- Once the bar is mounted, the arms can be angled forward/backward for better visibility or coverage.
- To use this kit, access to either the screws holding the VESA (X- or H-type) mount to the display, or the vertical rails or U-channel on an H-type VESA mounting system is necessary.
- Please read the initial pages of this guide to prepare for the installation, and determine which configuration fits your application.

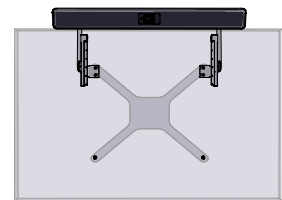
KIT CONTENTS / DETAILS



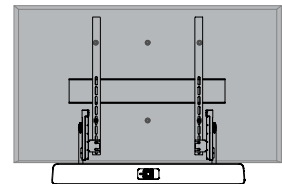
CONFIGURATION KEY



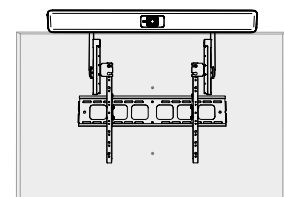
1) PMA Kit attached to an H-style (or X-Style) VESA mount with the bar below the display.



2) PMA Kit attached to an X-style (or H-Style) VESA mount with the bar above the display.



3) PMA Kit shown attached to the vertical rails of a VESA mount with the bar under the display.



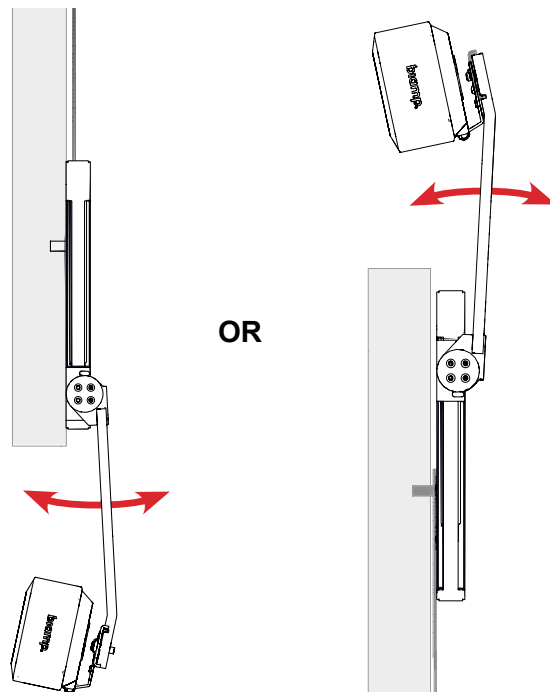
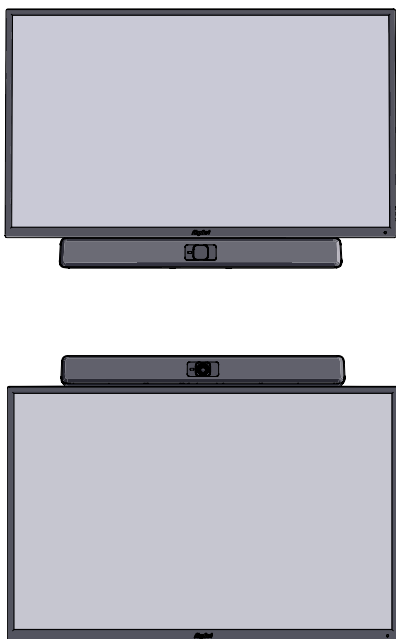
4) PMA Kit shown attached to the vertical rails of a VESA mount with the bar above the display.

5) Low Profile VESA mounts - Install spacers between VESA mount and TV to provide space for the kit arms. The bar can then be mounted above or below the TV.
Note: Must be able to remove TV from the VESA mount to install the spacers.

PMA 2000-DM KIT FLEXIBILITY

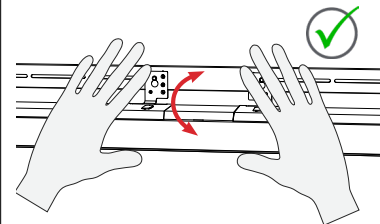
This kit was designed to be configured in a number of ways to mount a Parlé 2000-level bar above or below a VESA-mounted TV or video display.

Once the bar is connected to the crossbar, it can be moved forward or back to better align with the TV, or with the VBC models, provide increased camera visibility.



Bar Adjustment Considerations

- To rotate the bar up or down, hold the bar on each side of the plastic lens and apply equal rotational force with both hands.
- Don't twist the bar from the ends, rotate the bar beyond the mechanical stops or move it side-to-side while adjusting the angle.
- When extending the bar on the display mount, move it up or down slowly, especially near its maximum extension.

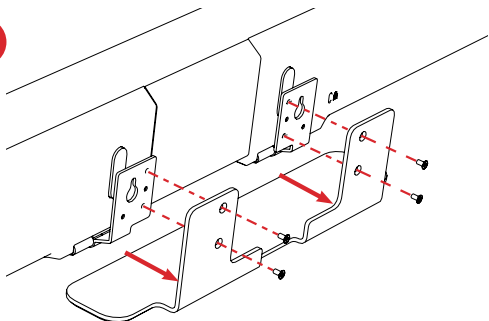


PREPARATION

Remove the bar from either the table stand (1) or the wall plate (2) before attaching to the PMA kit. Reserve the M3 screws to attach the bar to the crossbar in the last installation step of any configuration.

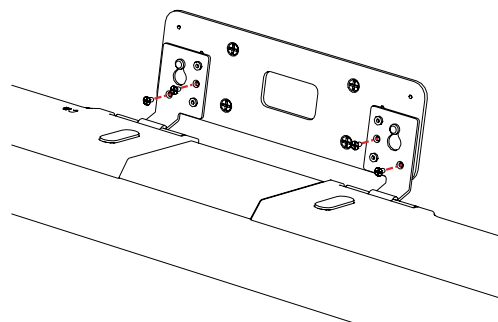
Remove Table Stand

1



Remove from Wall Plate

2

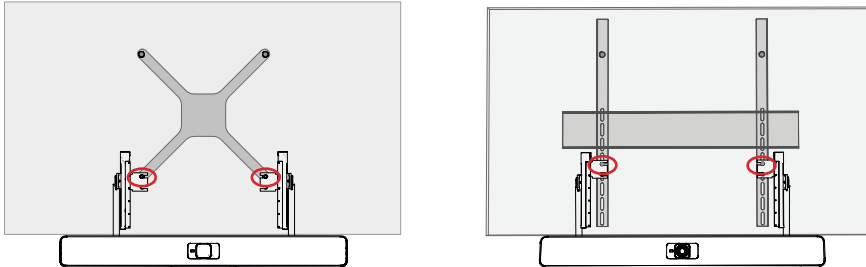


INSTALLATION CHOICES

This guide covers several possible configuration options for installing the bar on your video display (TV). Configurations 1, 2, 3, and 4 can be accomplished without removing the display from the wall. For very low profile VESA mounts (Configuration 5), you must remove the display from the wall to utilize the kit. Make a choice below that matches your intended configuration.

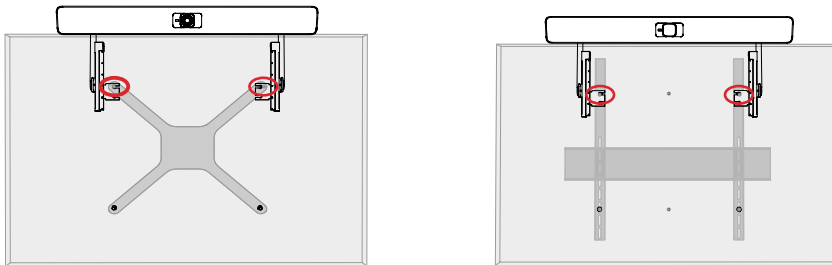
Configuration 1

Mount Bar **BELOW** the TV using the circled VESA mounting holes (pgs 4-7).



Configuration 2

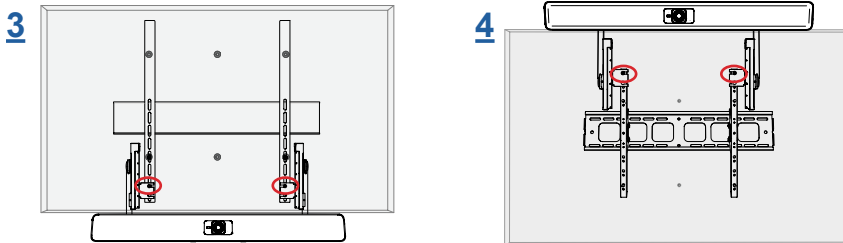
Mount Bar **ABOVE** the TV using the circled VESA mounting holes (pgs 8-12).



Configurations 3 and 4

Mount Bar on the VESA mount's vertical rails behind the TV.

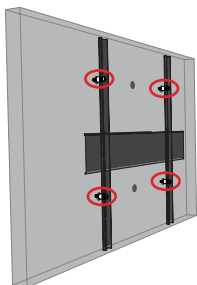
Position Bar BELOW (pgs 14-17) or ABOVE (pgs 18-23)



Configuration 5

Mount bar to a **LOW PROFILE** VESA mount (pg 24), then chose either Configuration 1 or 2 depending upon the desired bar location.

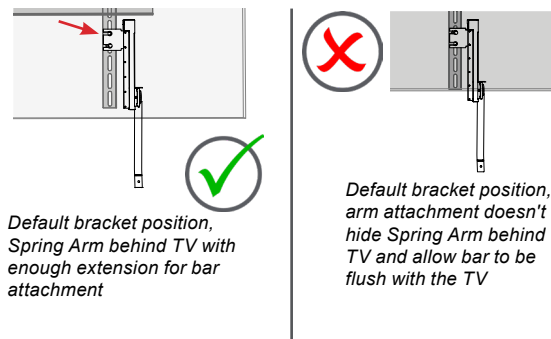
NOTE: This choice necessitates removal of the TV from the VESA mount to add spacers (circled) to provide enough area for the kit arms to fit behind the TV.



CONFIGURATION 1 (Bar below the TV using the TV/VESA attachment)

Hold one Spring Arm behind the TV with the bracket level with the VESA attachment to the TV, aligning the upper slot with that VESA attachment screw. The Spring Arm should extend almost to, but not past the lower edge of the display, and the Traveler Arm should extend at least 102 mm (4") past that edge to allow for bar attachment.

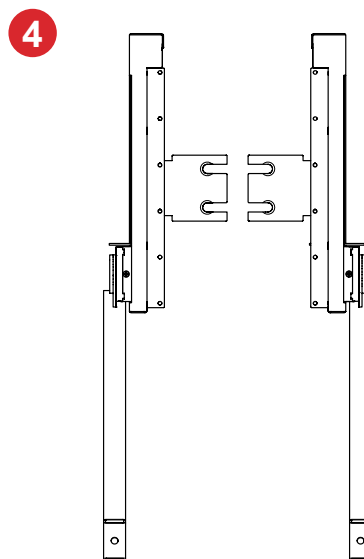
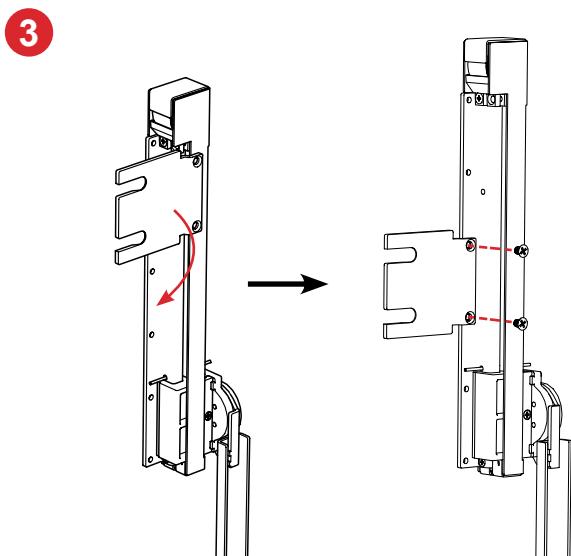
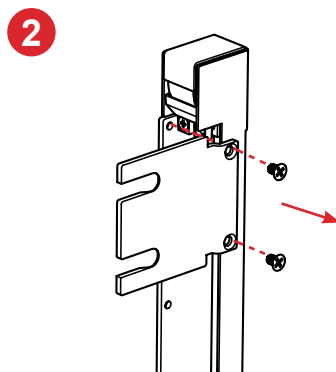
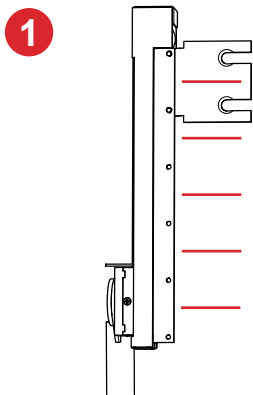
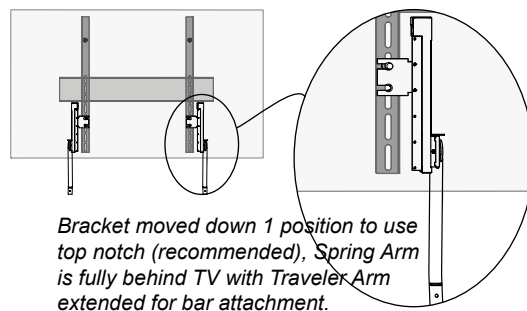
- If the Spring Arm extends past the lower edge of the TV, continue below to [change the bracket position](#).
- If the Spring Arm is behind the TV and the Traveler Arm extends the minimum amount, [attach the arms](#) to the TV.
- If the Spring Arm is behind the display and the Traveler Arm DOES NOT extend the minimum amount, use mounting [Configuration 3](#).



Change Bracket Position on Spring Arm

There are 5 positions for the bracket.

1. Determine the best position for the bracket to ensure the Spring Arm is behind the TV.
2. From the back of the Spring Arm, unscrew the bracket, reserving the screws for reattachment.
3. Reposition the bracket, and reattach. Fully tighten connections.
4. Repeat for the other arm. Both brackets must be at the same position on the Spring Arms.



CONFIGURATION 1 (continued - Bar below the TV using the TV/VESA attachment)

Attach arms at the lower TV/VESA mounting points

If feasible, pull the display away from the wall for easier access to the mounting screws. If it can't be pulled away, use a short or 90° ratcheting screwdriver from the front or side to access the screws securing the mount to the display.

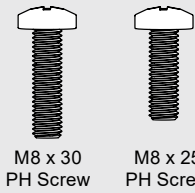
Note: Mount the arms to the outside of the VESA mount for increased stability. If connectors or power cords interfere, the arms may be mounted to the inside.

1. Loosen the lower VESA screws (circled) 3mm (.12"). If the (M8) VESA mounting screws aren't long enough to stay threaded in the TV, replace them one at a time with the included 25 or 30mm M8 screws.
2. Slide the bracket between the TV and the VESA mount the full length of the notch. The upper bracket notch is preferred, but both arms must hang at the same level.
3. Arms should hang parallel. Snug tighten the circled screws to hold the arms in place.

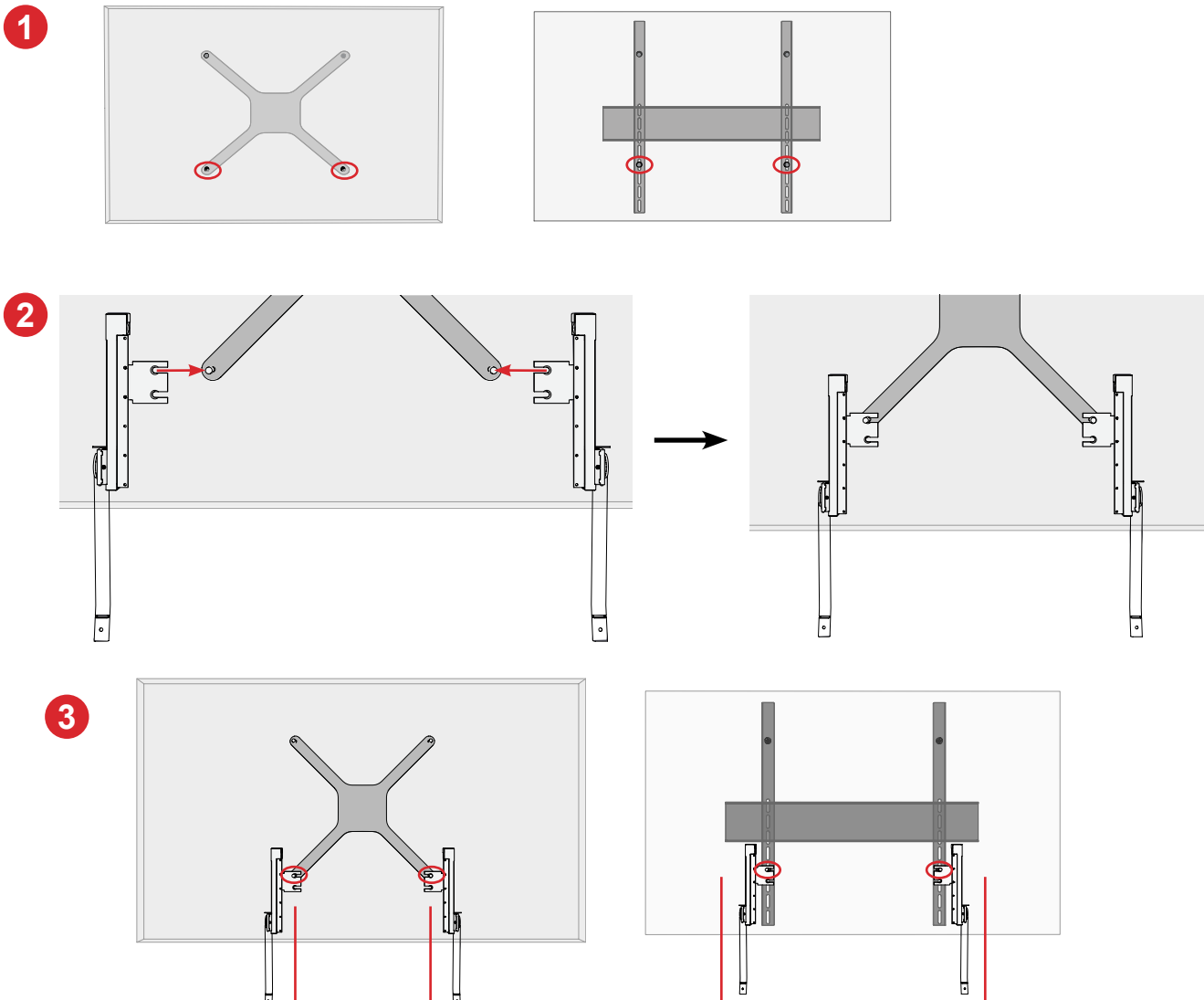
Kit parts

Configured arms x2

Optional hardware



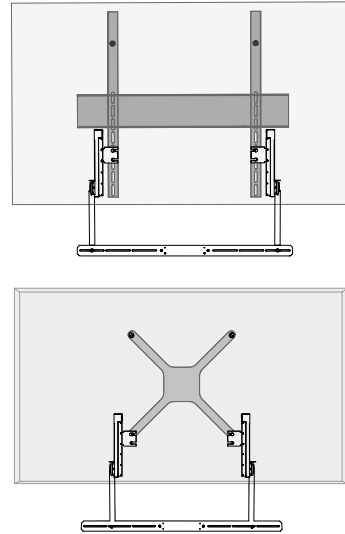
Substitute for existing VESA bolts that are too short to accommodate the arm brackets



CONFIGURATION 1 (continued - Bar below the TV using the TV/VESA attachment)

Crossbar Attachment

1. Fit the crossbar into the small notches in the Traveler Arms (as shown). Center and loosely screw the crossbar to each arm.
2. With the arms parallel to each other and the crossbar parallel to the edge of the display, fully tighten the screws holding the arms to the TV (circles).
3. Center the crossbar and tighten the screws holding it to the arms (arrows).

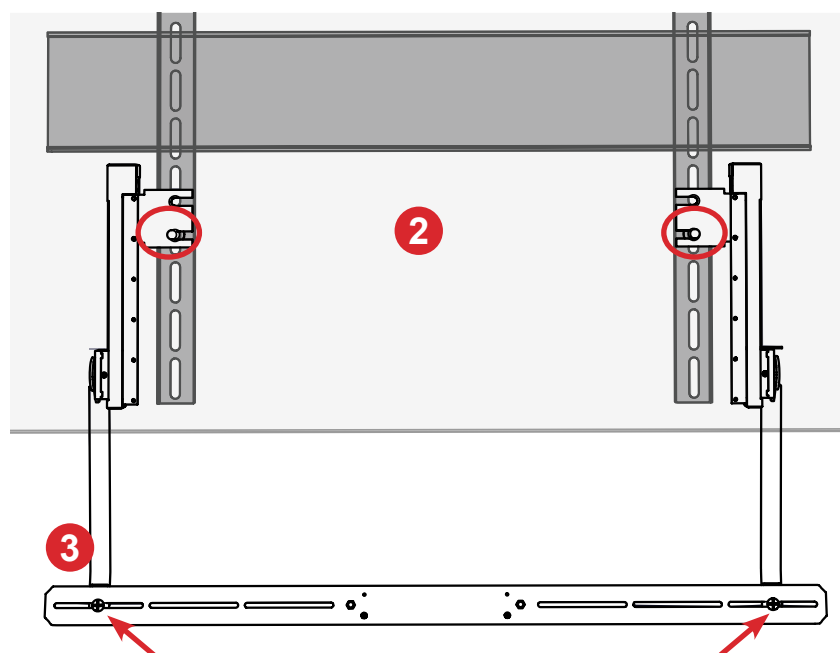
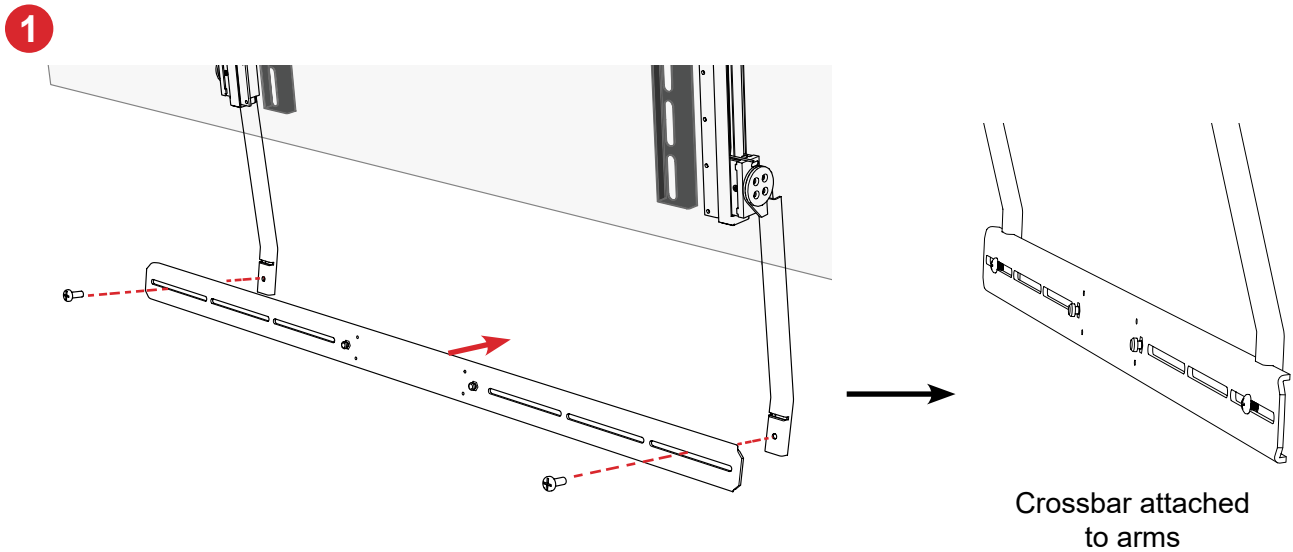


Kit parts

- Crossbar x1
- (M5 Screws) x2



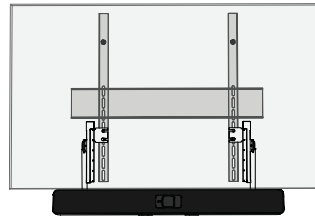
M5 x 8
PH Screw



CONFIGURATION 1 (continued - Bar below the TV using the TV/VESA attachment)

Bar Attachment to PMA 2000-DM

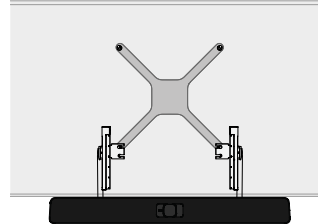
1. Fold the hinge brackets up and hang the bar on the crossbar knobs.
2. Secure with an M3 screw on each bracket (circled).
3. Rotate the bar back up. See adjustment notes at right.
4. Remove the pins holding the arms in the extended position. The pins can be discarded.
5. Move the bar forward or back for best directionality, and push it up against the display.
6. Installation is complete.



Hardware

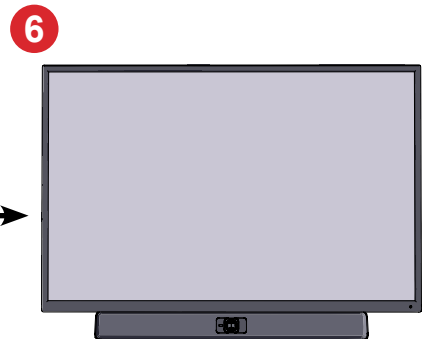
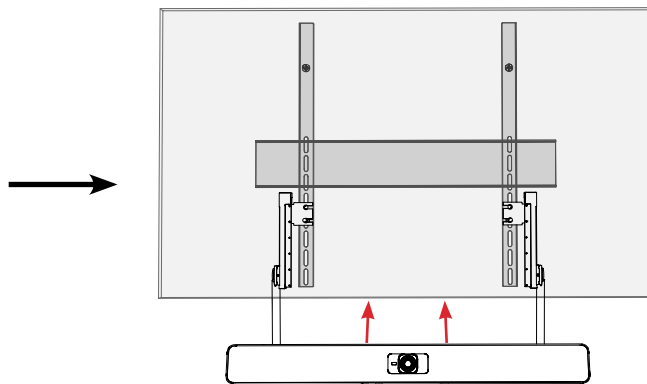
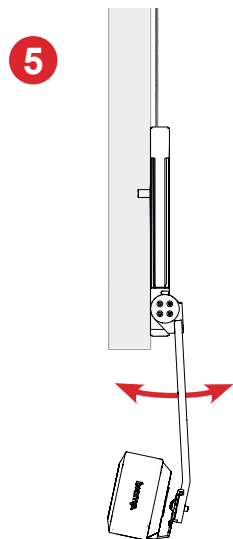
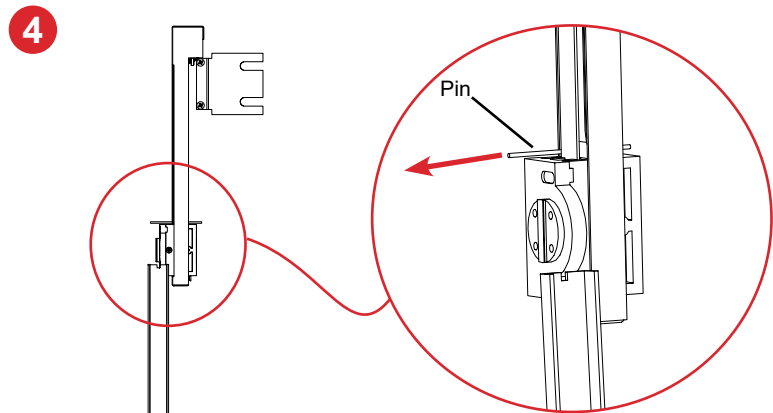
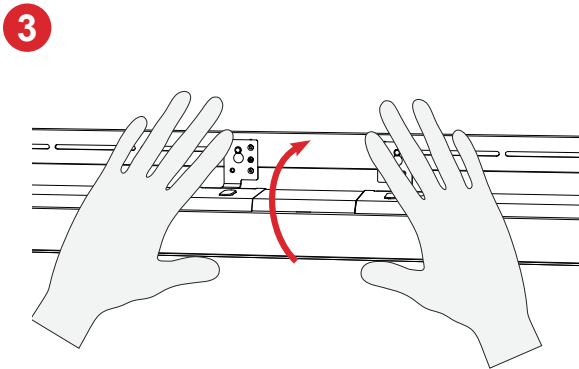
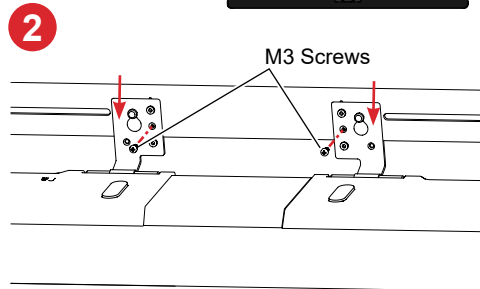
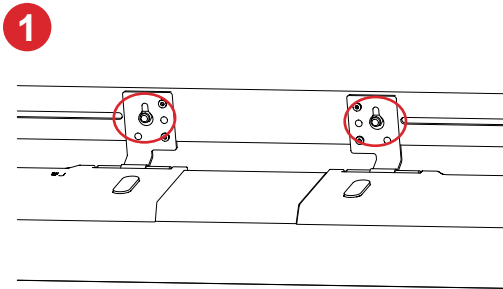
- M3 Screws x2

From Parlé bar table stand or plate removal



Bar Adjustment

- When rotating the bar up and down, grasp the center with 2 hands close to the plastic lens and rotate with equal force.
- Don't twist the bar from the ends, rotate the bar beyond the mechanical stops, or move it side-to-side while adjusting the angle.
- When extending the bar, move it up or down slowly, especially near its maximum extension.

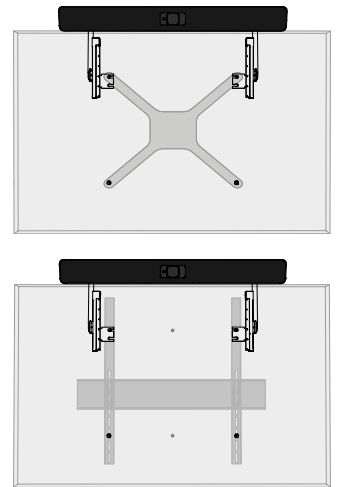


CONFIGURATION 2 (Bar above the TV using the TV/VESA attachment)

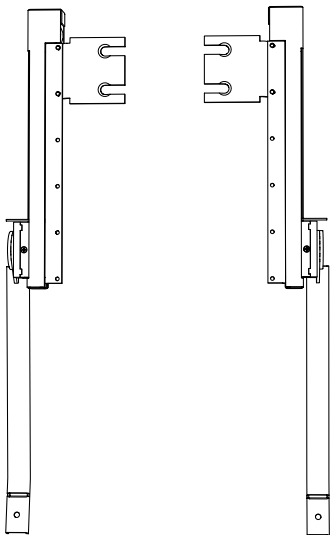
Change arm configuration

The arms ship configured for below-the-screen mounting. The arms need to be reconfigured to preserve the tension spring action function when mounted above the TV. To do this, the lower portion of each arm (Traveler Arm) must be removed, flipped, and reattached to the opposite Spring Arm.

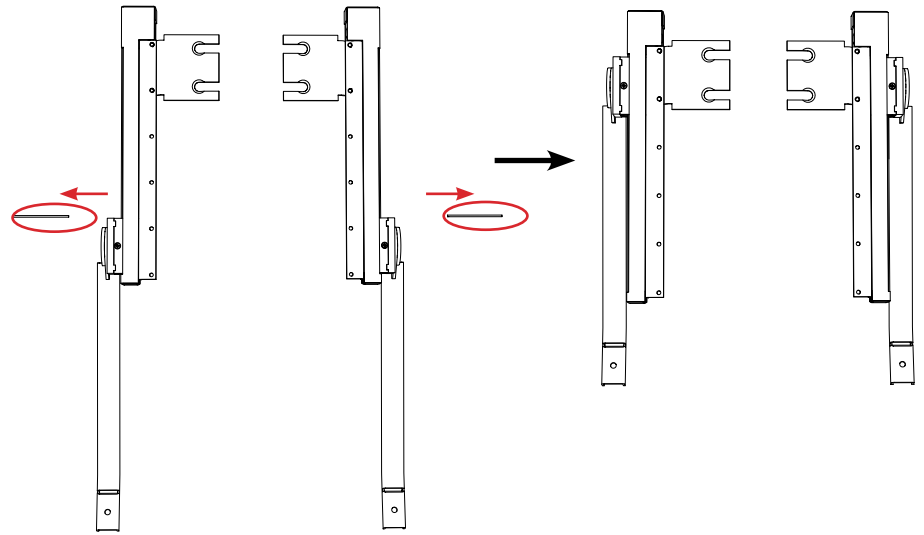
1. Place the arms side by side as shown.
2. Remove the pins holding the Traveler Arms extended. Move the Traveler Arms up if the spring doesn't pull it up automatically. Pins can be discarded.
3. Remove screws holding each Traveler Arm (front and back). Reserve for reattachment.
4. Slide each Traveler Arm up to remove it.



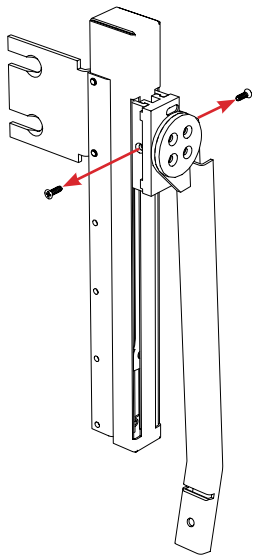
1



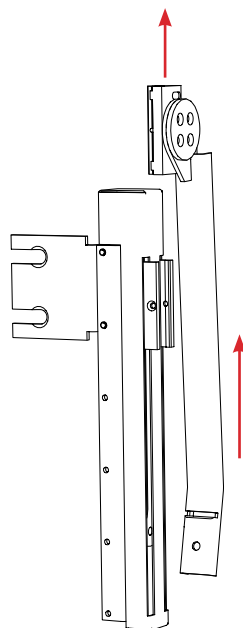
2



3



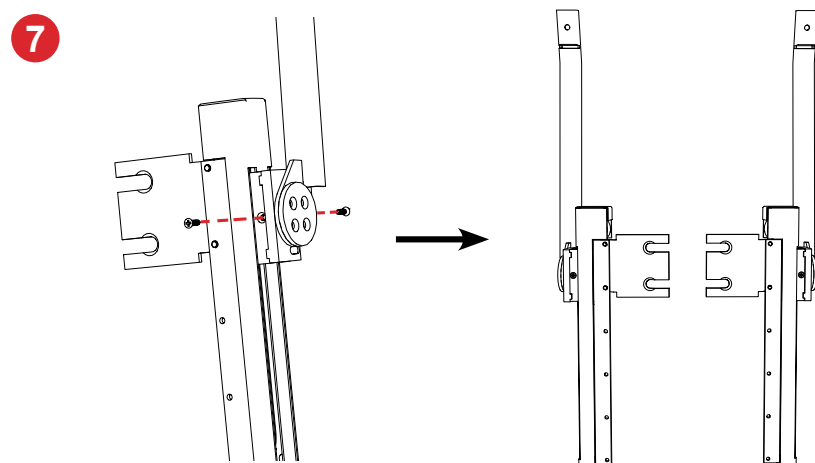
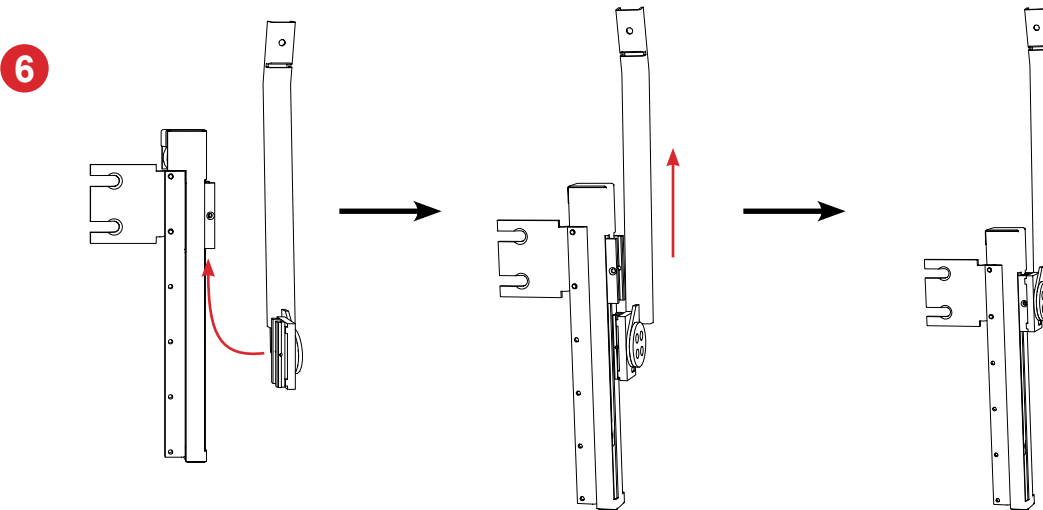
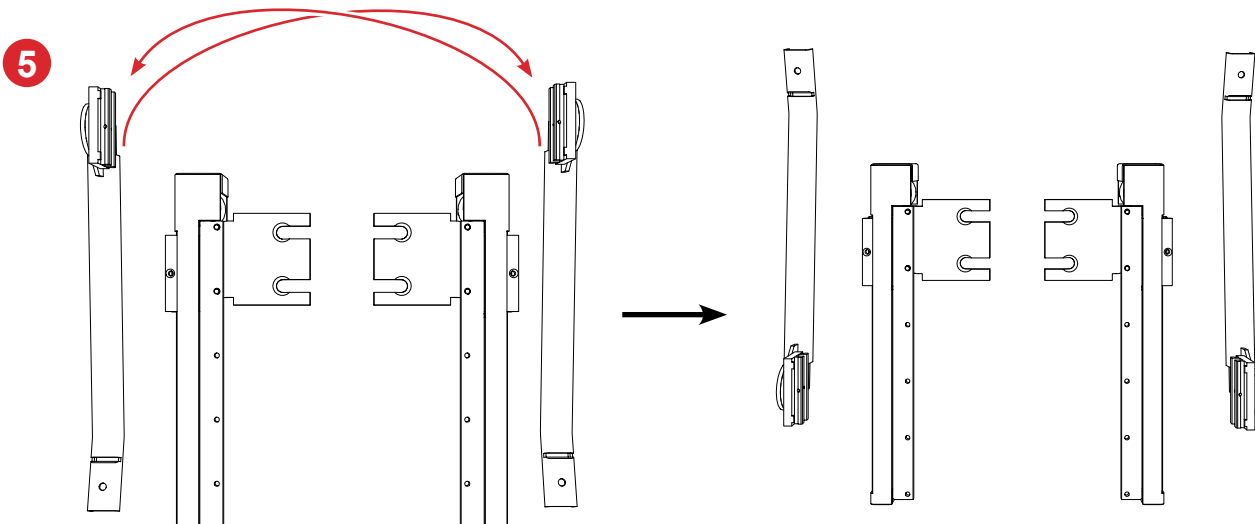
4



CONFIGURATION 2 (continued - Bar above the TV using the TV/VESA attachment)

Change arm configuration (continued)

5. Turn each arm 180° and place next to the opposite Spring Arm as shown.
6. Slide each carriage up into the Spring Arm
7. Reinstall screws on both sides to secure.



CONFIGURATION 2 (continued - Bar above the TV using the TV/VESA attachment)

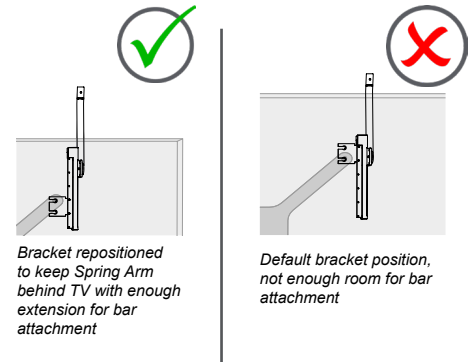
Hold one Spring Arm behind the TV with the bracket level with the VESA attachment to the TV, aligning the upper slot with that VESA attachment screw. The Spring Arm should extend almost to, but not past the upper edge of the display, and the Traveler Arm should extend at least 102 mm (4") above that edge to allow for bar attachment.

- If the Spring Arm extends past the upper edge of the TV, continue below to [change the bracket position](#).
- If the Spring Arm is behind the TV and the Traveler Arm extends the minimum amount, [attach the arms](#) to the TV.
- If the Spring Arm is behind the display and the Traveler Arm DOES NOT extend the minimum amount, use mounting [Configuration 4](#).

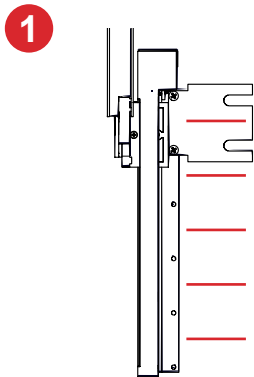
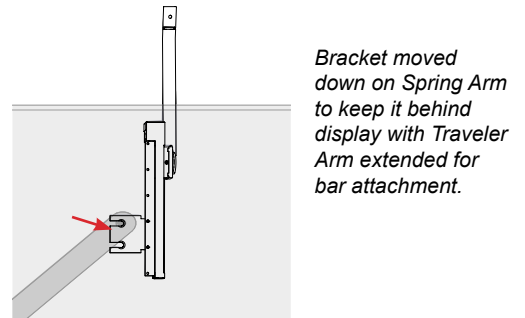
Change Bracket Position on Spring Arm

There are 5 positions for the bracket.

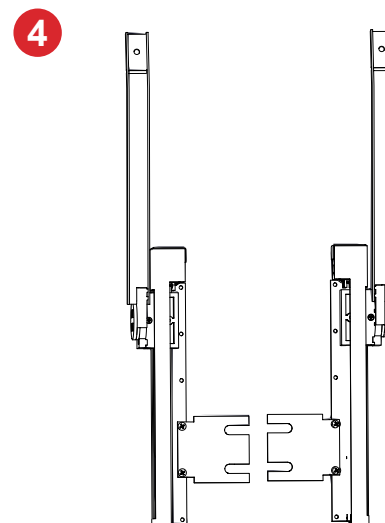
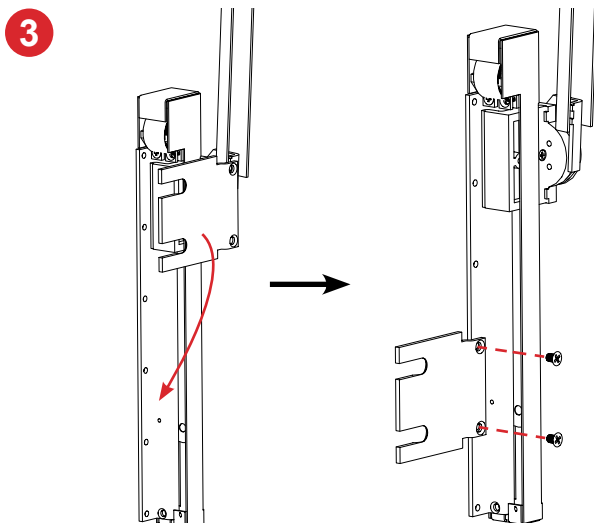
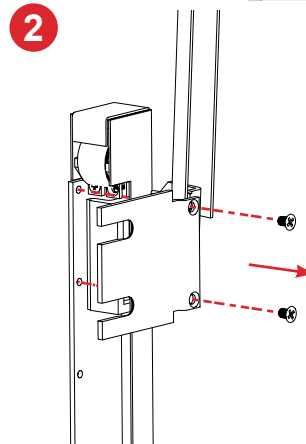
1. Determine the best position for the bracket to ensure the Spring Arm is behind the TV.
2. From the back of the Spring Arm, unscrew the bracket, reserving the screws for reattachment.
3. Reposition the bracket, and reattach. Fully tighten both connections.
4. Repeat for the other arm. Both brackets must be at the same position on the Spring Arms.



Red arrow indicates VESA connection to the display



Position bracket on arm
(5) places available



CONFIGURATION 2 (continued - Bar above the TV using the TV/VESA attachment)

Attach arms at the upper TV/VESA mounting points

If feasible, pull the display away from the wall for easier access to the mounting screws. If it can't be pulled away, use a short or 90° ratcheting screwdriver from the front or side to access the screws securing the mount to the display.

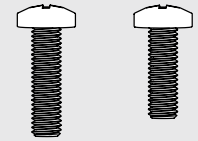
Note: Mount the arms to the outside of the VESA mount for increased stability. If connectors or power cords interfere, the arms may be mounted to the inside.

1. Loosen the lower screws (circled) in the VESA mount 3 mm (.12"). If the (M8) VESA mounting screws aren't long enough to stay threaded in the TV, replace them with the included 25 or 30 mm M8 screws.
2. Slide the bracket between the TV and the VESA mount the full length of the notch. The upper bracket notch is preferred, but both arms must be at the same level.
3. Arms should stand up and be parallel. Snug tighten the circled screws to hold the arms in place.

Kit parts

Configured arms x2

Optional hardware

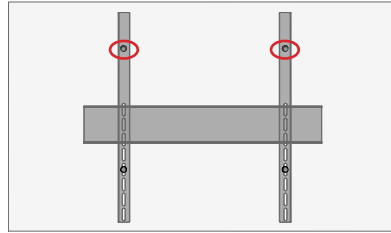
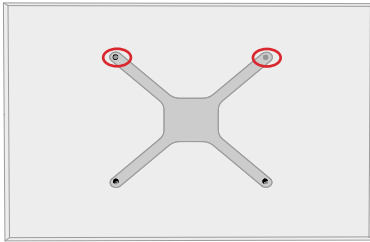


M8 x 30
PH Screw

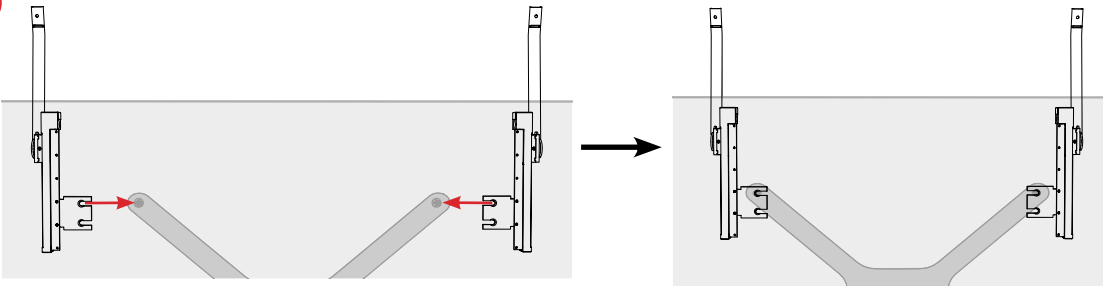
M8 x 25
PH Screw

Substitute for existing VESA bolts that are too short to accommodate the arm brackets

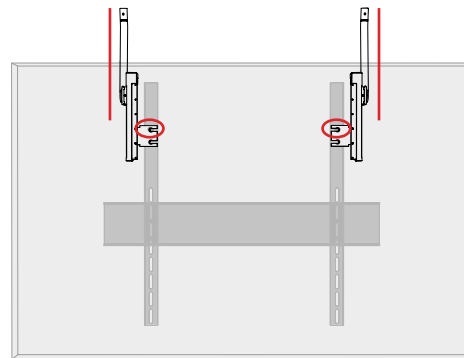
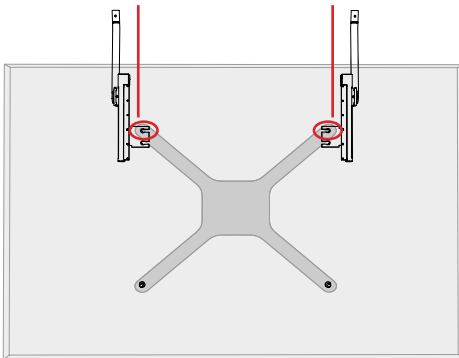
1



2



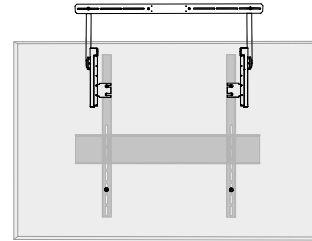
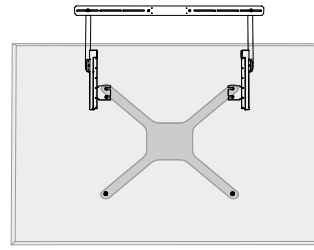
3



CONFIGURATION 2 (continued - Bar above the TV using the TV/VESA attachment)

Crossbar Attachment

1. Fit the crossbar into the small notches in the Traveler Arms (as shown). Center and loosely screw the crossbar to each arm.
2. With the arms parallel to each other and the crossbar parallel with the edge of the display, fully tighten the screws holding the arms to the TV (circles).
3. Center the crossbar and tighten the screws holding it to the arms (arrows).

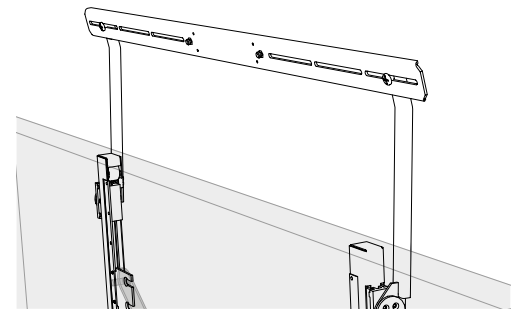
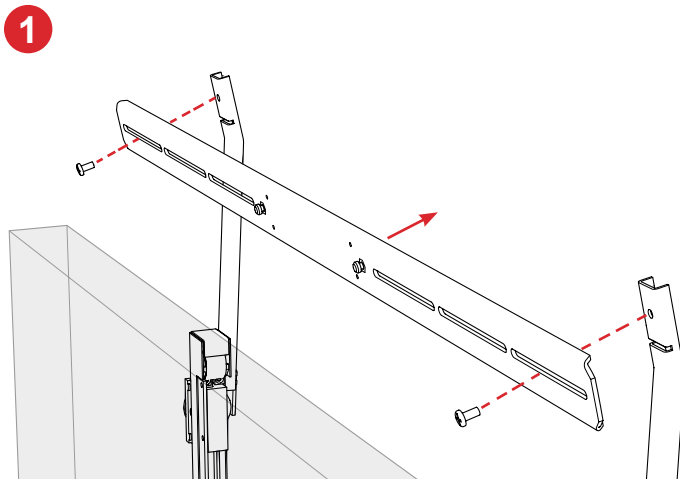


Kit parts

- Crossbar x1
- (M5 Screws) x2



M5 x 8
PH Screw



Crossbar attached
to arms

