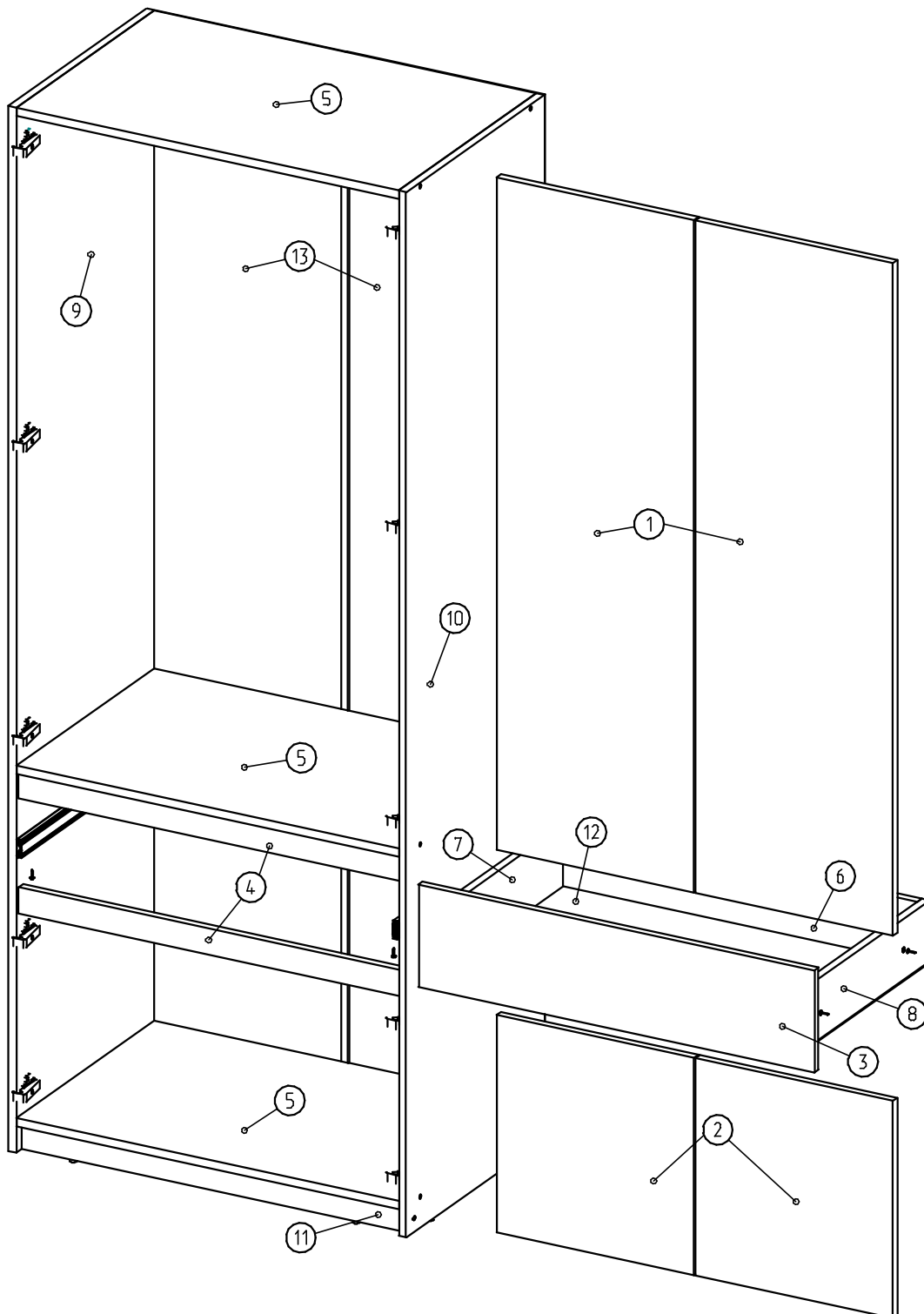


mf1 2	zmf1 2	zk5 16	k5 16	kl 1
s16 80 3,5x16	pn 10	t45 1	sk 6	gv 60
t25 1 L=766	fl 2	ng 6	sp 1 L=1912	up 2



1	395	1283	2	16mm
2	395	414	2	16mm
3	793	194	1	16mm
4	768	50	2	16mm
5	768	499	3	16mm
6	710	116	1	16mm
7	450	116	1	16mm
8	450	116	1	16mm
9	499	1994	1	16mm
10	499	1994	1	16mm
11	768	50	1	16mm
12	742	457	1	3mm
13	1944	395	2	3mm

