

ClearGuard Wireless Automated Toilet Door Switch Set



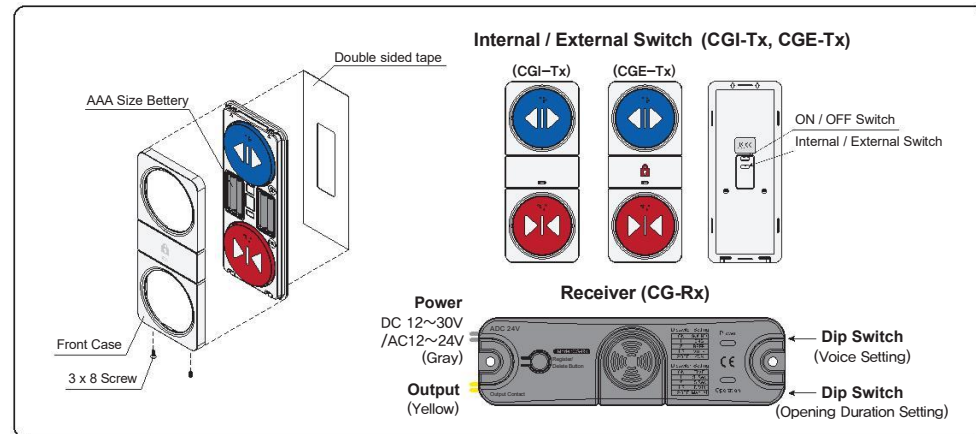
Instruction Manual

Thank you for purchasing the Hotron ClearGuard switch.
The ClearGuard switch is designed to help automate access to public toilets for people who ordinarily would require assistance.

1 Specifications

Set	Receiver (CG-Rx)	1 EA		
	Internal Switch (CGI-Tx) / External Switch (CGE-Tx)	1 Each		
	Power Connector (Gray)	1 EA		
	Output Contact Point Connector (Yellow)	1 EA		
	Screw	2 EA (3 X 8 size)		
	Double-sided Tape	2 EA		
	Battery	1.5V AAA Size 8 EA		
	Manual	1 Copy		
Spec	HEX Screw driver	1EA (2mm)		
	Receiver (CG-Rx)		Internal Switch (CGI-Tx) / External Switch (CGE-Tx)	
	Power	DC12~30V/AC12~24V	Rated Frequency	2.455GHz
	Relay Contact Capacity	1A/30VDC, 0.5A/125VDC	Battery	1.5V AAA 4EA Each
	Operating Temp	-20℃~50℃	Operating Temp	-20℃~50℃
	Product Size	150×43×25mm	Product Size	90×220×15mm
	Current Consumption	Standby: 30mA/ Operation: 80mA(for DC24V)	International Protection	IP65

2 General Information



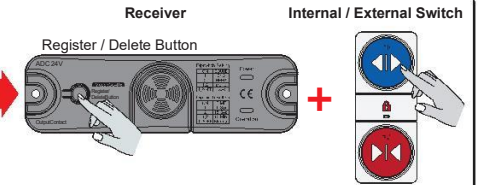
3 Operation Check & Caution

- 1) Input **DC12~30V/AC12-24V** for power supply. Make sure power LED is on.
- 2) Put AAA size batteries into the internal & external switches.
- 3) **Register the internal & external switches with the receiver.**
- 4) Ensure the receiver (CG-Rx) is wired correctly.
- 5) **Immediately change the batteries when aural alert is heard.**
- 6) Although the CGI-Tx and CGE-Tx are IP65 water resistant, excessive water can cause damage to the internal components.

4 User Manual

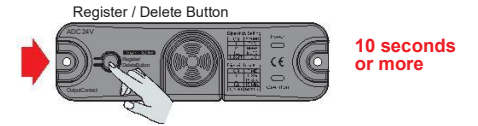
1) ID Registration

- Ensure the Receiver is powered up and press and hold the open or close button on the Internal or External switch whilst pressing the Register/Delete button on the Receiver.
- When pairing is successfully executed, "DOOR IS OPENING" will be heard.



2) ID Deletion

- Power on the receiver and press the register/delete button for more than 10 seconds. The buzzer sounds and your ID is deleted successfully.



3) Press the blue door open button on the external switch to enter the toilet.

Once inside, press the red door close button to lock the door. The occupied symbol (Add image of lock here) will illuminate on the external switch if entry is attempted whilst the toilet is occupied.

4) Emergency Open

- Keep pressing the open button on the external switch until the word "Occupied" is heard 10 times.

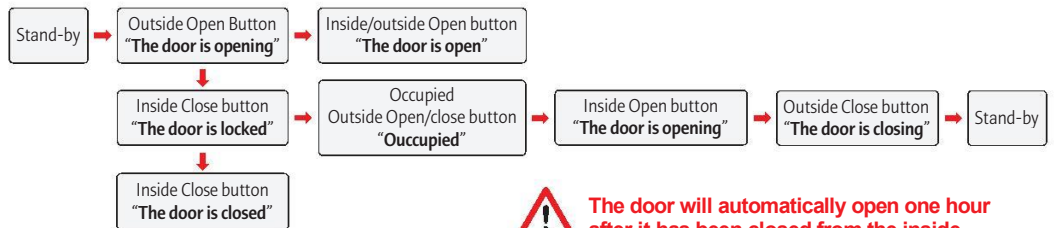
5) Setting the Door Hold Open Time (Default : Manual)

Dip Switch	Time	Dip Switch	Time
	After 3 s close the door		After 15 min, close the door
	After 15 s close the door		Manual (Toggle) open or close by pressing button

6) Voice Language Selection

Dip Switch (Default : ENG)	
: ENG	: BEEP
: KOR	: MUTE

7) Switch Operation Announcement



5 External Dimensions

