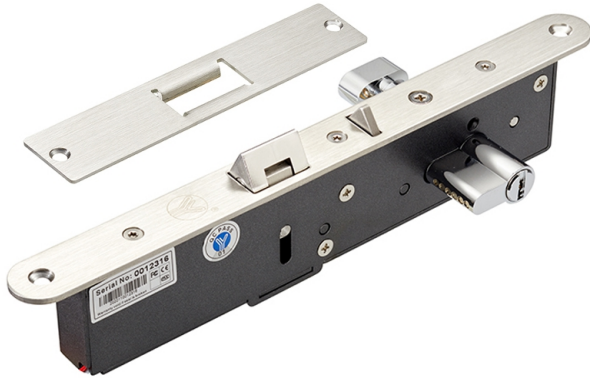


European Type Electric Mechanical Lock with Cylinder



Product overview

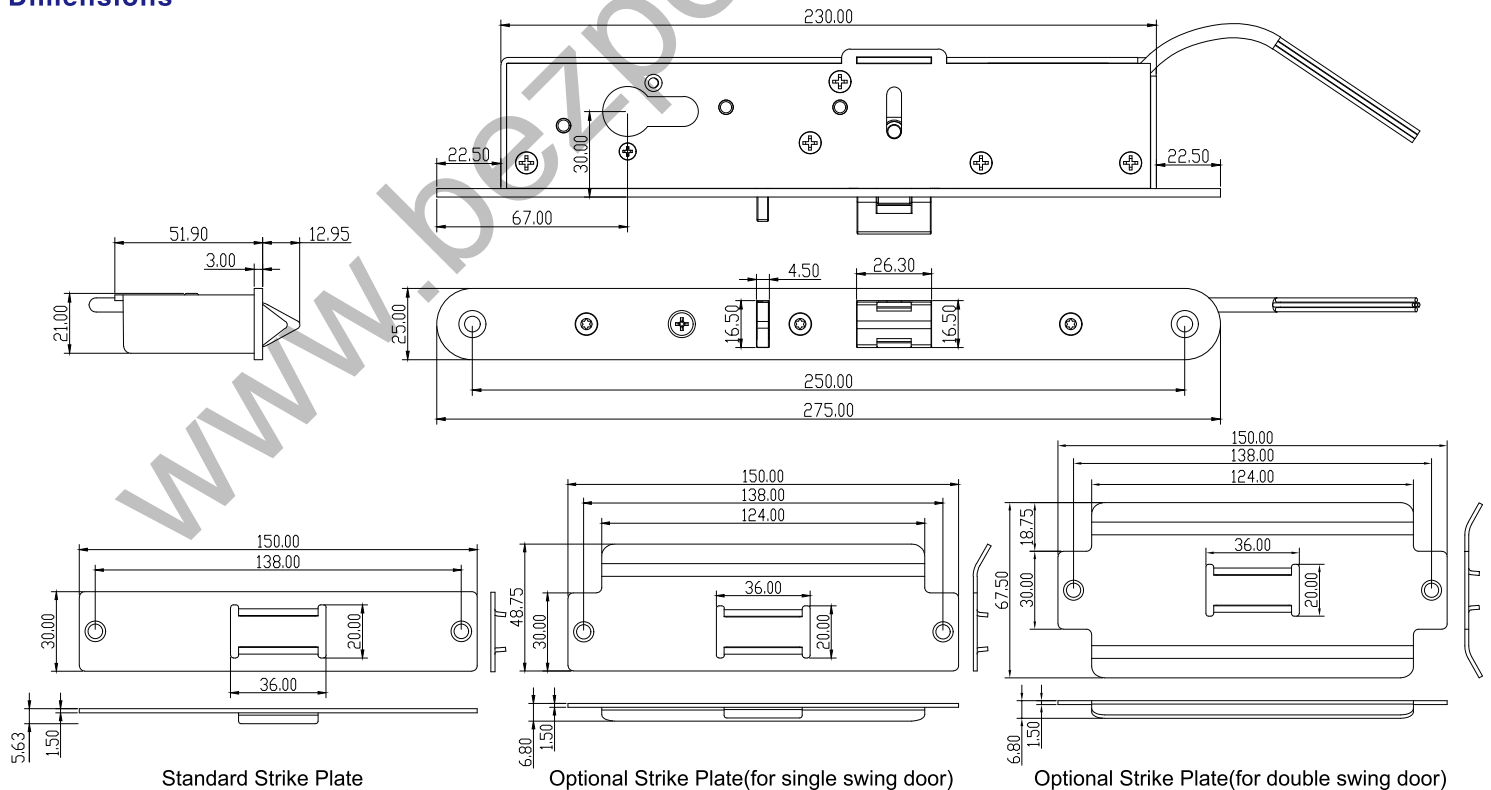
YML-650B is our electromechanical lock, which is suitable for one-way open and two-way open doors, including wooden door, metal door, framed glass door etc. Stainless steel housing, unique design for safety requirement, switches to working mode by manual control. Bolt bears up to 1000lbs strike, coming with European type cylinder. In working mode, it's under control by electricity while by manual control if under emergency. All linkages are metal structure. Work normally under the temperature between -40°C and 60°C. Pass 500000 times test. Outstanding performance, prior choice for project.

Parameter/Model	YML-650B
Parameter	Description
Feature	Fail Safe/Fail Secure(Adjustable)
Face Plate	275Lx25Wx51.9H(mm)
Strike	Standard Strike Plate: 150Lx30Wx1.5H(mm); Optional Strike Plate(for single swing door):150Lx48.7Wx1.5H(mm); Optional Strike Plate(for double swing door):150Lx67.5Wx1.5H(mm)
Magnetic Valve	500000 times
Voltage	12-24VDC/AC

Current	≤300mA
Signal Output	Lock signal NC/COM/NO contact, the signal will take effect only when both conditions of closing and locking are met
Operating temp	(-20°C~+50°C)
Weight	1.4kg

Dimensions

Unit: mm



Shenzhen YLI Electric Lock Co.,Ltd.

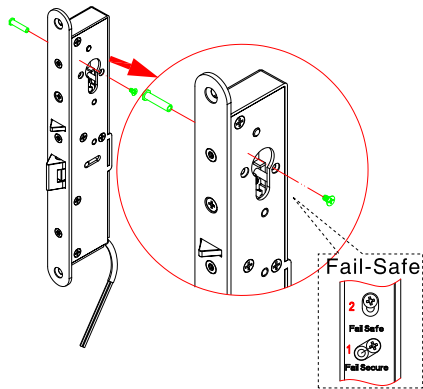
Room 1605, Block A, Haisong Building, Tairan 9th Road, Futian District, Shenzhen, China
 TEL:86-755-83489801/02/03/04/05/06 FAX:86-755-83489807
 Website: www.yli.cn E-mail: yli@yli.cn

Standard Features

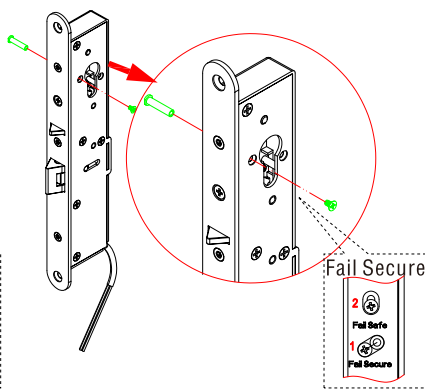
- | | |
|---|---|
| 1 Suitable for single or double swing doors | 5 Vertical or horizontal installation |
| 2 Suitable for narrow-frame wooden doors and metal doors | 6 304 stainless steel strike plate optional for single or double swing doors |
| 3 Fail safe and fail secure mode adjustable | 7 With lock signal output |
| 4 304 stainless steel panel, stainless steel bolt withstands 1000lbs holding force | 8 Electric/Automatic; Locking mode selectable |

Installation

Fail Safe
Cylinder as shown below

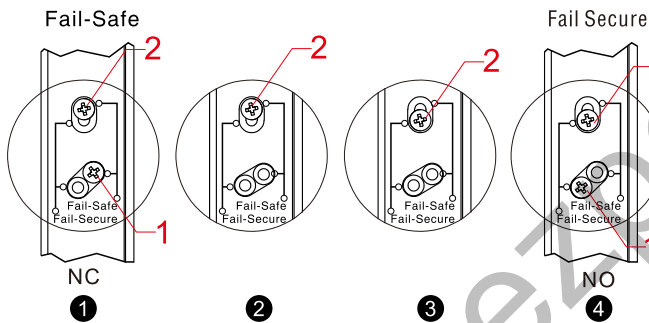


Fail secure
Cylinder as shown below



Mode Switching

Pic 2: Unscrew 1 while loosen 2; Pic 3: sliding move screw 2
Pic: Tighten screw 1, 2, process finished



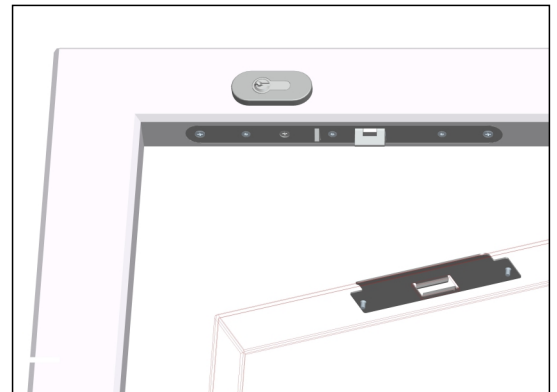
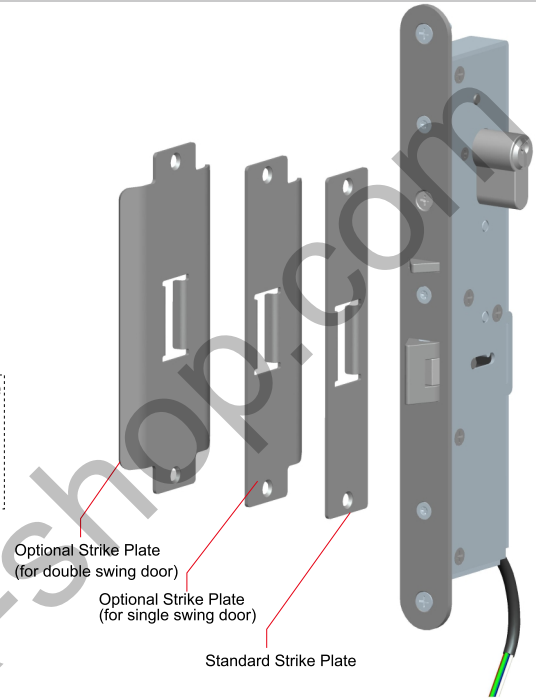
Tips:

Please loosen Screw 2 and move it slightly, do not take it out, or else it will make magnetic valve drop out of lock body.

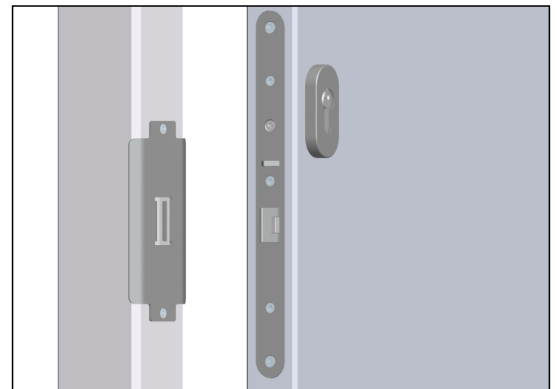
Please follow steps on sticker while installing.

Wiring

	Red		+	
	Black		-	
	Yellow		NC	} Lock Signal Output
	White		COM	
	Green		NO	



Installation on top



Side installation

Shenzhen YLI Electric Lock Co., Ltd.

Room 1605, Block A, Haisong Building, Tairan 9th Road, Futian District, Shenzhen, China
TEL: 86-755-83489801/02/03/04/05/06 FAX: 86-755-83489807
Website: www.yli.cn E-mail: yli@yli.cn

