

# vApply™

**vApply Parts Manual**

Precision Planting®

## Table of Contents

724028 1/4" OD Tubing (LDPE) - Black.....	4
724030 3/8" OD Tubing (LDPE) - Black.....	5
724032 3/4" ID Hose (EPDM).....	6
724033 1" ID Hose (EPDM).....	7
724034 1-1/2" ID Hose (EPDM).....	8
724042 3/8" to 1/4" Straight Stem Adapter (10 pack).....	9
724045 3/8" PTC Stem to 3/8" Hose Barb, with Hose Clamp.....	10
724049 Tank Port Kit (1" Return Line, 1" Snout).....	11
724064 Pressure Relief Valve.....	12
724067 Remote Pressure Sensor Gauge Kit.....	13
724068 Garden Hose Priming/Flushing Kit.....	14
724073 1/2" ID Hose (EPDM).....	15
724087 3/8" to 1/4" PTC Straight Union Adapter (10 pack).....	16
724090 1/4" OD Tubing (LDPE) - Yellow.....	17
724091 3/8" OD Tubing (LDPE) - Yellow.....	18
724093 3/8" Elbow (90 degree) Stem Adapter.....	19
724149 vApplyHD Valve Replacement.....	20
724158 vApplyHD Flow Sensor Rebuild Kit - Low Flow.....	21
724159 vApplyHD Motor Replacement.....	22
724161 vApplyHD Module Mounting Bracket - Stand Alone.....	23
724241 3/4" Barb x 3/8" PTC Tee Kit.....	24
724242 3/4" Barb x 3/8" PTC Elbow Kit.....	25
724243 1/2" Barb x 3/8" PTC Tee Kit.....	26
724244 1/2" Barb x 3/8" PTC Elbow Kit.....	27
724268 80 Mesh Screen - Replacement.....	28
724269 100 Mesh Screen - Replacement.....	29
724287 vApplyHD Base Control Harness.....	30
724288 Plumbing Essentials Kit.....	31
724289 Filter Kit - High Flow (2 X 80 Mesh Screen).....	32
724290 vApplyHD Base Kit.....	34
724291 Filter Kit - Low Flow (1 X 80 Mesh Screen).....	35
724292 High Flow Section Plumbing Kit (3/4" wet boom).....	36
724293 Low Flow Section Plumbing Kit (1/2" wet boom).....	38
724294 Filter Visual Gauge Kit.....	40
724296 Accumulator Kit (Stand Alone, 1" barb inlet, outlet).....	41
724297 vApplyHD Flow Sensor Rebuild Kit - High Flow.....	43
724300 vApplyHD Flex Module.....	44
724350 vApplyHD Module.....	45
724359 vApplyHD Module Mounting Bracket - Goal Post Bracket.....	46
724360 vApplyHD Mounting Bracket - Parallel Arm Bracket Kit.....	47

724362 vApplyHD Mounting Bracket - Tool Bar Bracket - Top.....	48
724363 vApplyHD Mounting Bracket - Tool Bar Bracket - Rear .....	49
724425 SRM Disable Plug (for vApplyHD Flex module).....	50
730125 Standard Mount Tube Bracket.....	51
730253 High Mount Tube Bracket.....	52

**724028 1/4" OD Tubing (LDPE) - Black**



Item No.	Part Number	Part Name	QTY	Remarks
1	724028	TUBING	1	100' Rolls (Use with PTC Fittings)

**724030 3/8" OD Tubing (LDPE) - Black**



Item No.	Part Number	Part Name	QTY	Remarks
1	724030	TUBING	1	100' Rolls (Use with PTC Fittings)

**724032 3/4" ID Hose (EPDM)**



Item No.	Part Number	Part Name	QTY	Remarks
1	724032	HOSE	1	50' Rolls

# 724033 1" ID Hose (EPDM)



Item No.	Part Number	Part Name	QTY	Remarks
1	724033	HOSE	1	50' Rolls



**724034 1-1/2" ID Hose (EPDM)**



Item No.	Part Number	Part Name	QTY	Remarks
1	724034	HOSE	1	50' Rolls - Black



**724042 3/8" to 1/4" Straight Stem Adapter (10 pack)**



Item No.	Part Number	Part Name	QTY	Remarks
1		PTC FITTING	10	3/8" Stem X 1/4" PTC Reducer

**724045 3/8" PTC Stem to 3/8" Hose Barb, with Hose Clamp**



Item No.	Part Number	Part Name	QTY	Remarks
1		PTC FITTING	10	3/8" Stem X 3/8" Hose Barb Adapter
2		CLAMP	10	#6 5/16"- 7/8" DIA 1/2"W

## 724049 Tank Port Kit (1" Return Line, 1" Snout)



Item No.	Part Number	Part Name	QTY	Remarks
1	724036	CLAMP	2	#20, 3/4" - 1-3/4" DIA 1/2"W
2	724047	TANK FLANGE	1	1" FPT X 1" FPT
3	724056	PIPE FITTING	2	1" MPT X 1" BARB

# 724064 Pressure Relief Valve



Item No.	Part Number	Part Name	QTY	Remarks
1	724064	PRESSURE RELIEF	1	3/4" MPT X FPT, Piston Style

## 724067 Remote Pressure Sensor Gauge Kit



Item No.	Part Number	Part Name	QTY	Remarks
1		MAGNET MOUNT	1	Pressure Gauge
2		PTC FITTING	1	1/4" Equal Flow Divider
3		TUBING	1	1/4" LPDE Black - 5' Roll

## 724068 Garden Hose Priming/Flushing Kit



Item No.	Part Number	Part Name	QTY	Remarks
1		TEE	1	3/4" HB X 3/4" HB 3/8" PTC Assembly
2		TEE	1	1/2" HB X 1/2" HB X 3/8" PTC
3		CLAMP	3	#12, 1/2" - 1-1/4" DIA 1/2"W
4		VALVE	1	1/2" FPT X 1/2" FPT
5		PIPE FITTING	1	1/2" MPT X 3/4" GHT
6		PIPE FITTING	1	1/2" MPT X 3/4" Barb
7		PIPE FITTING	1	1/2" MPT X 1/2" Barb

## 724073 1/2" ID Hose (EPDM)



Item No.	Part Number	Part Name	QTY	Remarks
1	724073	HOSE	1	1/2" EPDM Black – 50' Rolls



## 724087 3/8" to 1/4" PTC Straight Union Adapter (10 pack)



Item No.	Part Number	Part Name	QTY	Remarks
1		PTC FITTING	10	3/8" PTC X 1/4" PTC Reducing Fitting

**724090 1/4" OD Tubing (LDPE) - Yellow**



Item No.	Part Number	Part Name	QTY	Remarks
1	724090	TUBING	1	100' Rolls (Use with PTC Fittings)

**724091 3/8" OD Tubing (LDPE) - Yellow**



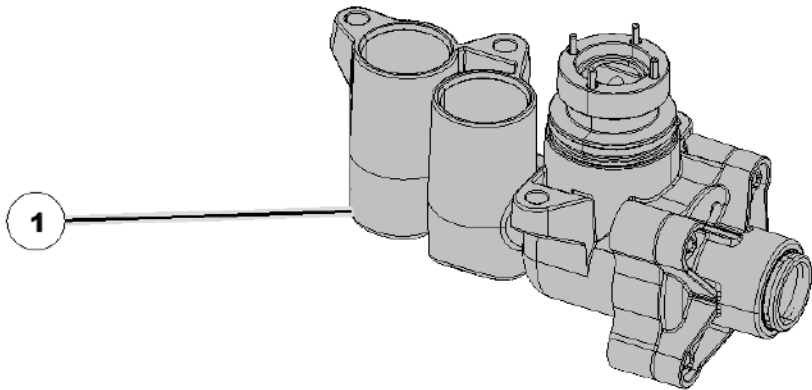
Item No.	Part Number	Part Name	QTY	Remarks
1	724091	TUBING	1	100' Rolls (Use with PTC Fittings)

# 724093 3/8" Elbow (90 degree) Stem Adapter



Item No.	Part Number	Part Name	QTY	Remarks
1	724093	PTC ADAPTOR KIT	1	10 Pack

# 724149 vApplyHD Valve Replacement



Item No.	Part Number	Part Name	QTY	Remarks
1		VALVE	1	Comes Pre-Assembled - Exploded view for reference only
2		O-RING	2	2x14 mm Viton

## 724158 vApplyHD Flow Sensor Rebuild Kit - Low Flow



Item No.	Part Number	Part Name	QTY	Remarks
1		HALF CARTRIDGE	1	John Guest 1/2"
2		O-RING	1	-012 Viton
3		O-RING	2	2x13 mm Viton
4		O-RING	1	-020 Viton
5		FLOW INSERT	1	Low Flow

## 724159 vApplyHD Motor Replacement



Item No.	Part Number	Part Name	QTY	Remarks
1		MOTOR ASSEMBLY	1	0.05-3.0 GPM
2		O-RING	2	2x13 mm Viton
3		O-RING	1	22 mm X 2 mm Viton

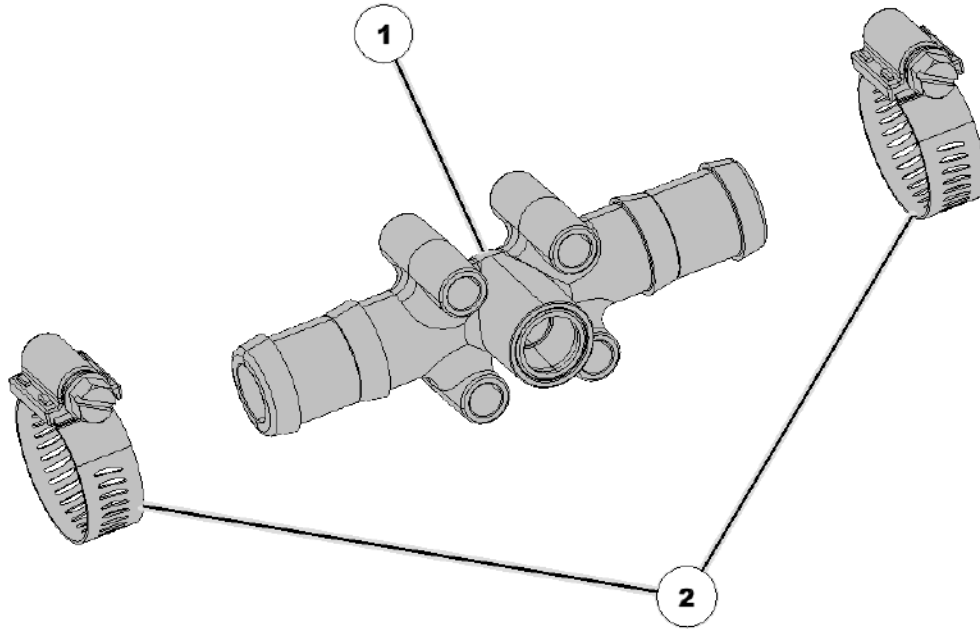


## 724161 vApplyHD Module Mounting Bracket - Stand Alone



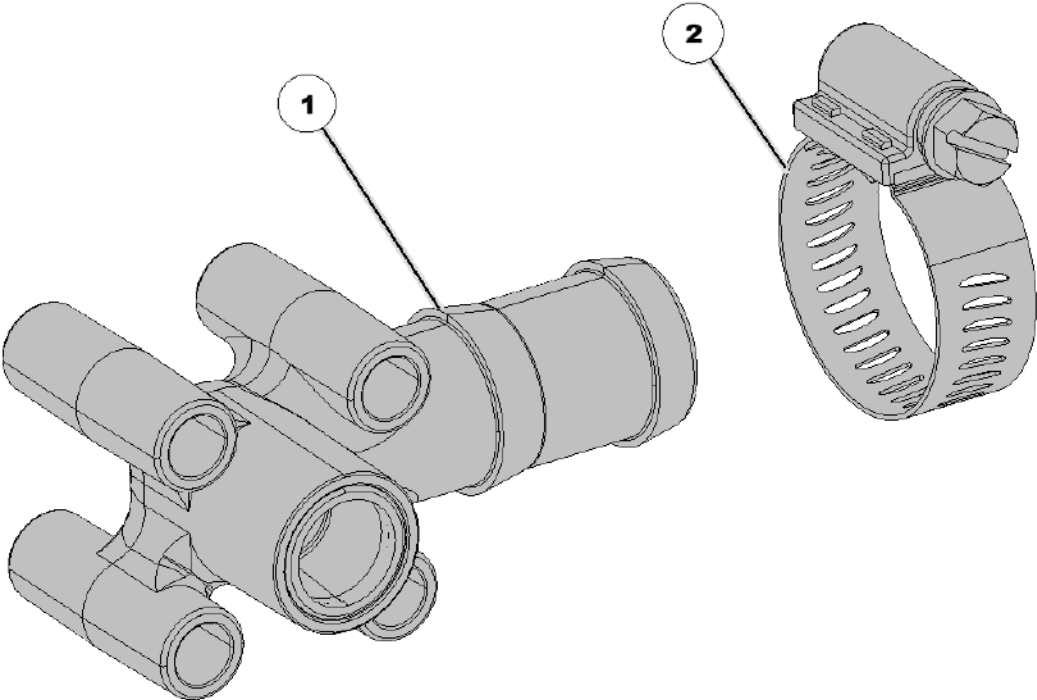
Item No.	Part Number	Part Name	QTY	Remarks
1		Tie	4	Cable 8" UV Black
2		HEX CAP SCREW	1	5/16-18x2 18-8 SS
3		NUT	1	5/16-18 18-8 SS
4		FLAT WASHER	1	5/16" SS Flat Washer
5		LOCK WASHER	1	5/16" Split SS
6		BUSHING	1	vApply HD Spacer
7		PTC FITTING	1	3/8" Stem Elbow

## 724241 3/4" Barb x 3/8" PTC Tee Kit



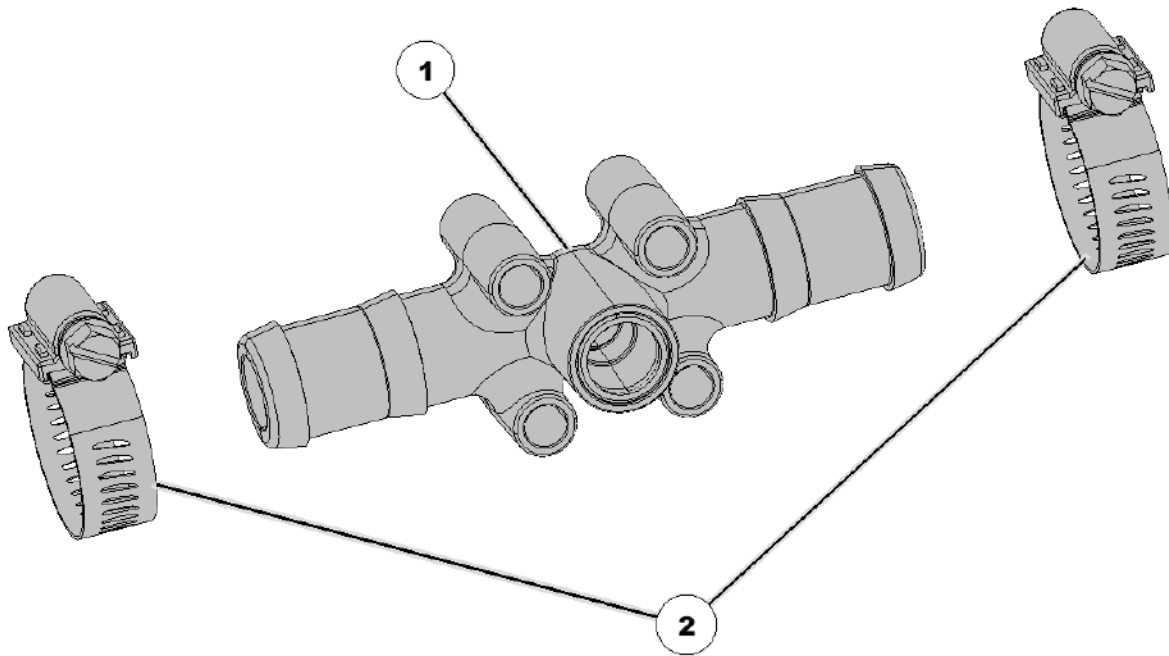
Item No.	Part Number	Part Name	QTY	Remarks
1		TEE	1	3/4" Hose Barb X 3/4" Hose Barb 3/8" PTC Assembly
2		CLAMP	2	#12, 1/2" - 1-1/4" DIA 1/2"W

# 724242 3/4" Barb x 3/8" PTC Elbow Kit



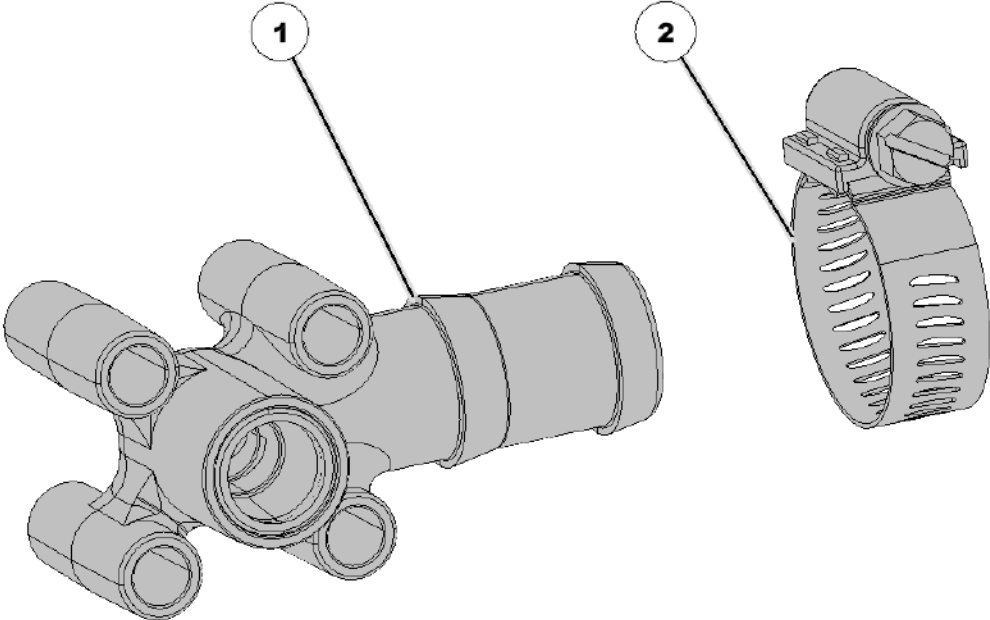
Item No.	Part Number	Part Name	QTY	Remarks
1		ELBOW	1	3/4" Hose Barb X 3/8" PTC Assembly
2		CLAMP	1	#12, 1/2" - 1-1/4" DIA 1/2"W

## 724243 1/2" Barb x 3/8" PTC Tee Kit



Item No.	Part Number	Part Name	QTY	Remarks
1		TEE	1	1/2" Hose Barb X 1/2" Hose Barb X 3/8" PTC
2		CLAMP	2	#12, 1/2" - 1-1/4" DIA 1/2"W

# 724244 1/2" Barb x 3/8" PTC Elbow Kit



Item No.	Part Number	Part Name	QTY	Remarks
1		ELBOW	1	1/2" Hose Barb X 3/8" PTC
2		CLAMP	1	#12, 1/2" - 1-1/4" DIA 1/2"W

# 724268 80 Mesh Screen - Replacement



Item No.	Part Number	Part Name	QTY	Remarks
1	724268	SCREEN	1	80 Mesh Replacement

# 724269 100 Mesh Screen - Replacement



Item No.	Part Number	Part Name	QTY	Remarks
1	724269	SCREEN	1	100 Mesh Replacement

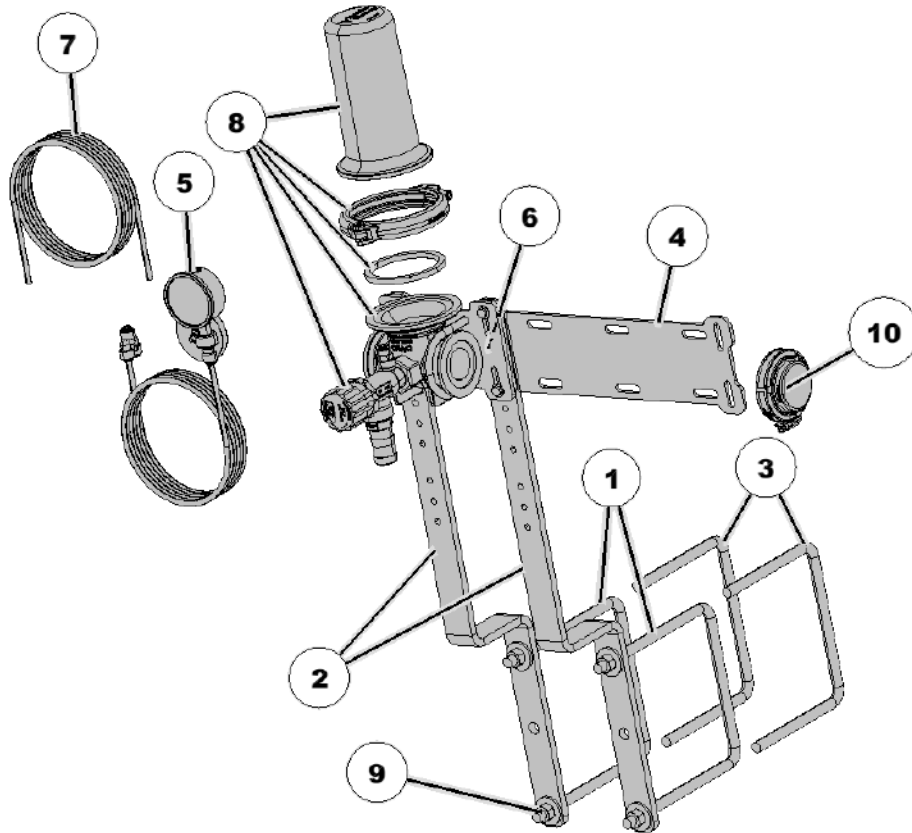


# 724287 vApplyHD Base Control Harness



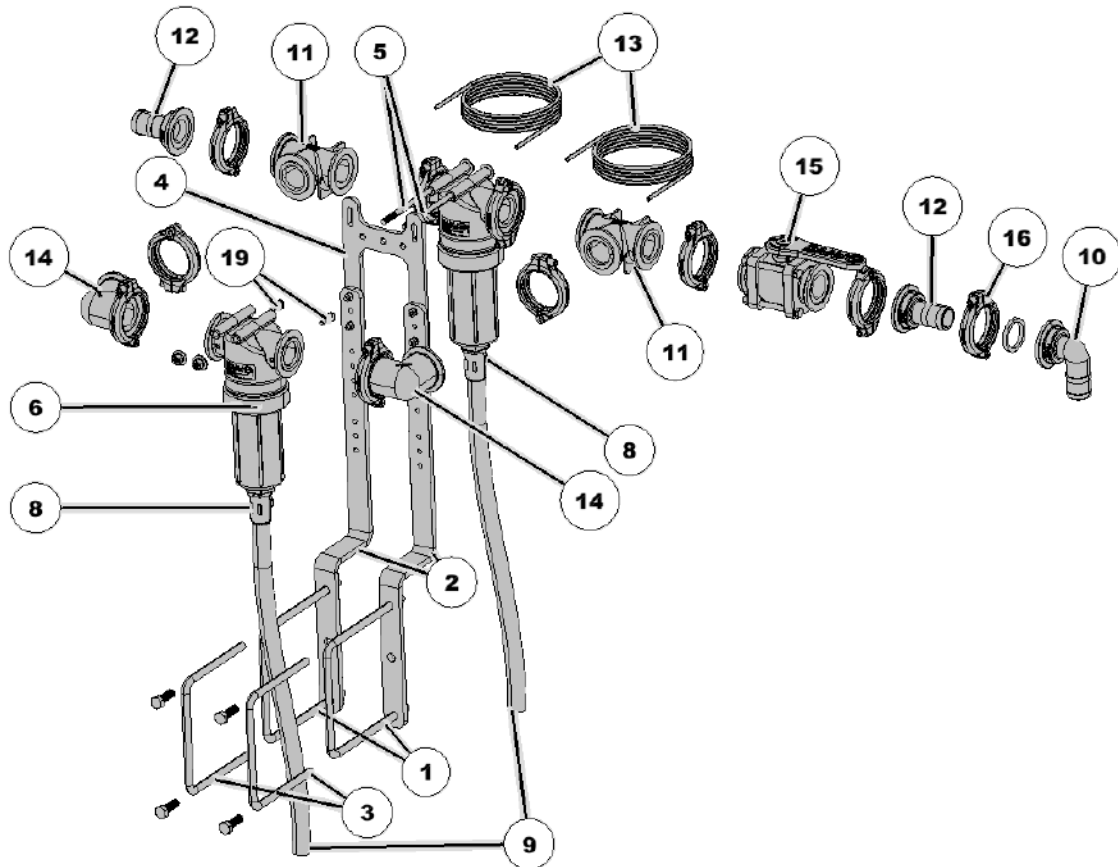
Item No.	Part Number	Part Name	QTY	Remarks
1	724287	HARNESS	1	Universal vApply

## 724288 Plumbing Essentials Kit



Item No.	Part Number	Part Name	QTY	Remarks
1	726143	Bolt	2	7" X 7" Tube
2		Bracket	2	Vac Tube Support (17")
3	730162	Bolt	2	7" X 5" Tube
4		BRACKET	1	Section Manifold
5	724067	KIT	1	Remote Pressure Gauge
6		BRACKET	1	Accumulator Manifold
7		TUBING	1	1/4" LLPDE Black - 5'
8		MANIFOLD	1	Accumulator
9		HARDWARE KIT	1	Accumulator
10		KIT	1	2" Flange Cap

## 724289 Filter Kit - High Flow (2 X 80 Mesh Screen)



Item No.	Part Number	Part Name	QTY	Remarks
1	726143	Bolt	2	7" X 7" Tube
2	730242	Bracket	2	Vac Tube Support (17")
3	730162	Bolt	2	7" X 5" Tube
4		BRACKET	1	Strainer 2" T
5		HARDWARE KIT	1	High Flow Strainer (Includes all hardware)
6		STRAINER	2	2" Flange, 80 Mesh, Pressure Ports
7		PTC FITTING	2	PTC 1/4"
8		VALVE	2	1" MPT X 3/4" Barb
9		HOSE SECTION	2	24" Long
10		FLANGE FITTING	1	2" Flange 90 Degree 1 1/2" Barb
11		FLANGE FITTING	2	2" Tee
12		FLANGE FITTING	2	2" Flange X 1-1/2" Barb
13		TUBING	2	1/4" LLPDE Balck - 5'
14		FLANGE FITTING	2	2" Elbow, Short

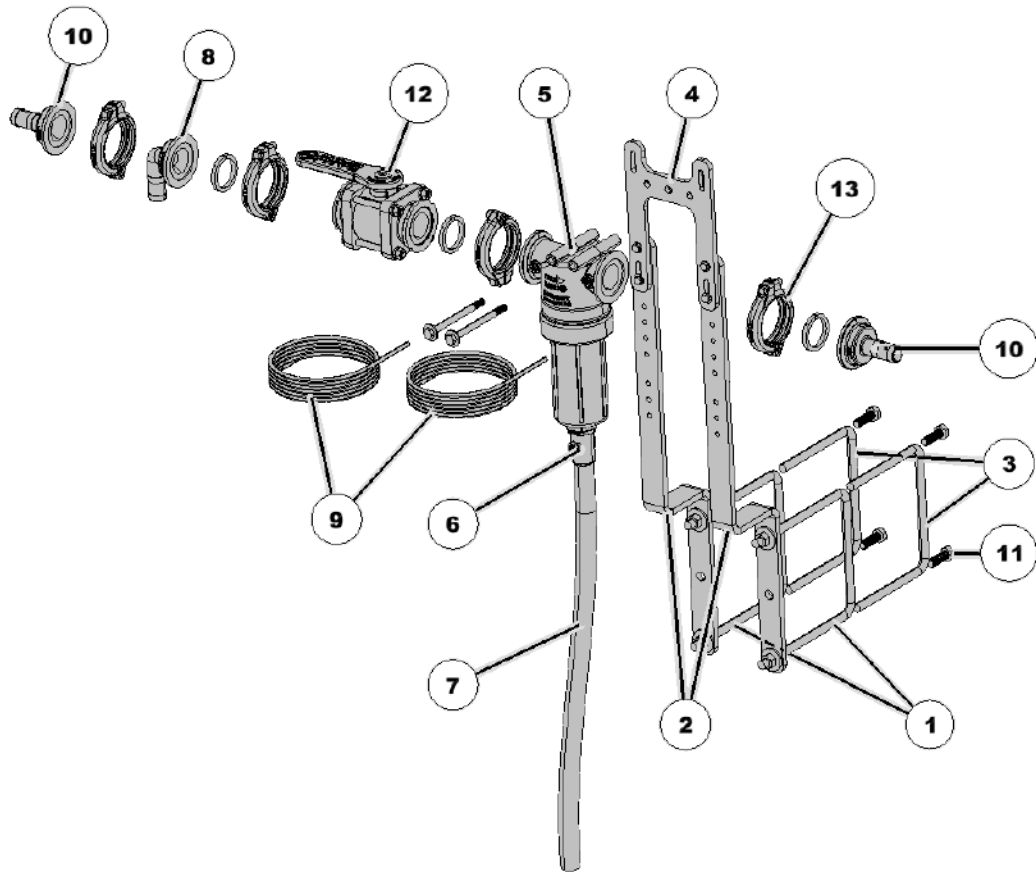
<b>Item No.</b>	<b>Part Number</b>	<b>Part Name</b>	<b>QTY</b>	<b>Remarks</b>
15		VALVE	1	2" Valve
16		KIT	1	Flange Hardware (includes all clamps and gaskets)

## 724290 vApplyHD Base Kit



Item No.	Part Number	Part Name	QTY	Remarks
1		HARDWARE KIT	1	vApplyHD Base Kit
2	729508	HARNESS	1	6-Pin CAN Y
3	724280	MODULE ASSY	1	vApply 2.0
4		KIT	1	vApplyHD Tool
5		BRACKET	1	Liquid Tool Kit
6	955653	Instructions	1	vApply and vApply HD Installation Guide

## 724291 Filter Kit - Low Flow (1 X 80 Mesh Screen)



Item No.	Part Number	Part Name	QTY	Remarks
1	726143	Bolt	2	7" X 7" Tube
2		Bracket	2	VAC Tube Support (17")
3	730162	Bolt	2	7" X 5" Tube
4		BRACKET	1	Strainer 2" T
5		STRAINER	1	2" Flange, 80 Mesh, Pressure Ports
6		VALVE	1	1" MPT X 3/4" Barb
7		HOSE SECTION	1	24" Long
8		FLANGE FITTING	1	2" Flange X 1" Barb, 90 Degree
9		TUBING	2	1/4" LLPDE Black - 5'
10		FLANGE FITTING	2	2" Flange X 1" Hose Barb
11		HARDWARE KIT	1	Low Flow Filter (includes all hardware)
12		VALVE	1	2" Valve
13		KIT	1	Low Flow Strainer Flange Fittings and Gaskets

## 724292 High Flow Section Plumbing Kit (3/4" wet boom)



Item No.	Part Number	Part Name	QTY	Remarks
1		TEE	6	3/4" HB X 3/4" HB 3/8" PTC Assembly
2		ELBOW	2	3/4" HB X 3/8" PTC Assembly
3		WASHER	2	3/8" 18-8 SS Flat Washer
4		U-BOLT	1	2-1/2" ID X 3-7/8 L
5		LOCK WASHER	2	3/8" Split SS
6		NUT	2	3/8"-16 SS
7		FLANGE FITTING	1	2" Flange X 2" Flange X 1" Hose Barb Tee
8		FLANGE FITTING	1	3/4" HB X 3/4" HB X 1" Flange Tee

Item No.	Part Number	Part Name	QTY	Remarks
9		FLANGE FITTING	1	1" Flange X 1" Hose Barb, 90 Degree
10		CLAMP	16	#12, 1/2" - 1-1/4" DIA 1/2"W
11		CLAMP	2	#20, 3/4" - 1-3/4" DIA 1/2"W
12		FLANGE FITTING	1	1" EPDM Seal
13		FLANGE FITTING	1	1" SS
14		FLANGE FITTING	1	2" EPDM Seal
15		FLANGE FITTING	1	2" SS Clamp



## 724293 Low Flow Section Plumbing Kit (1/2" wet boom)



Item No.	Part Number	Part Name	QTY	Remarks
1		TEE	6	1/2" HB X 1/2" HB X 3/8" PTC
2		ELBOW	2	1/2" HB X 3/8" PTC
3		WASHER	2	3/8" 18-8 SS Flat Washer
4		U-BOLT	1	2-1/2" ID X 3-7/8 L
5		LOCK WASHER	2	3/8" Split SS
6		NUT	2	3/8"-16 SS
7		FLANGE FITTING	1	1/2" HB X 1/2" HB X 1" Flange Tee
8		FLANGE FITTING	1	2" FLANGE X 2" Flange X 3/4" Hose Barb Tee
9		CLAMP	2	#12, 1/2" - 1-1/4" DIA 1/2"W

Item No.	Part Number	Part Name	QTY	Remarks
10		FLANGE FITTING	1	1" EPDM Seal
11		FLANGE FITTING	1	1" SS
12		FLANGE FITTING	1	2" EPDM Seal
13		FLANGE FITTING	1	2" SS Clamp
14		FLANGE FITTING	1	1" Flange X 3/4" Barb, 90 DEG
15		HOSE CLAMP	16	#8, 1/2" - 29/32" DIA X 1/2" W

## 724294 Filter Visual Gauge Kit



Item No.	Part Number	Part Name	QTY	Remarks
1		GAUGE ASSEMBLY	1	Differential Pressure Gauge
2		TUBING	2	1/4" LLPDE Black - 5'
3		PTC FITTING	2	1/4" Union Tee

## 724296 Accumulator Kit (Stand Alone, 1" barb inlet, outlet)



Item No.	Part Number	Part Name	QTY	Remarks
1		HARDWARE KIT	1	Standalone Accumulator
2	726143	Bolt	1	7" X 7" Tube
3		Bracket	1	Vac Tube Support (17")
4		BRACKET	1	Accumulator Manifold
5		FLANGE FITTING	2	2" EPDM Seal
6		FLANGE FITTING	2	2" SS Clamp
7		FLANGE FITTING	1	3" EPDM Seal
8		FLANGE FITTING	1	3" Clamp

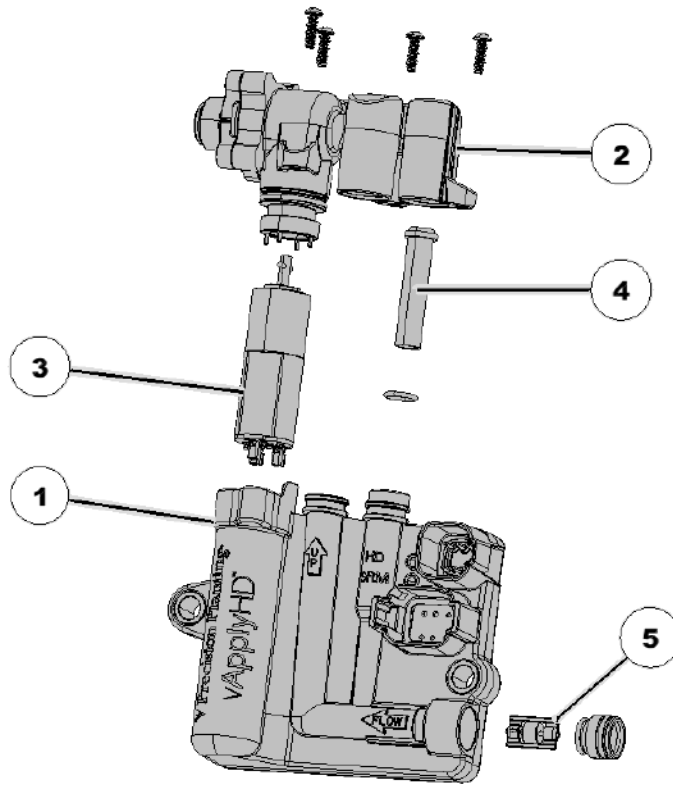
Item No.	Part Number	Part Name	QTY	Remarks
9		ACCUMULATOR	1	3"x7"
10		TEE ASSEMBLY	1	Plugged 2X2X3" Flange X 3/4" MPT

**724297 vApplyHD Flow Sensor Rebuild Kit - High Flow**



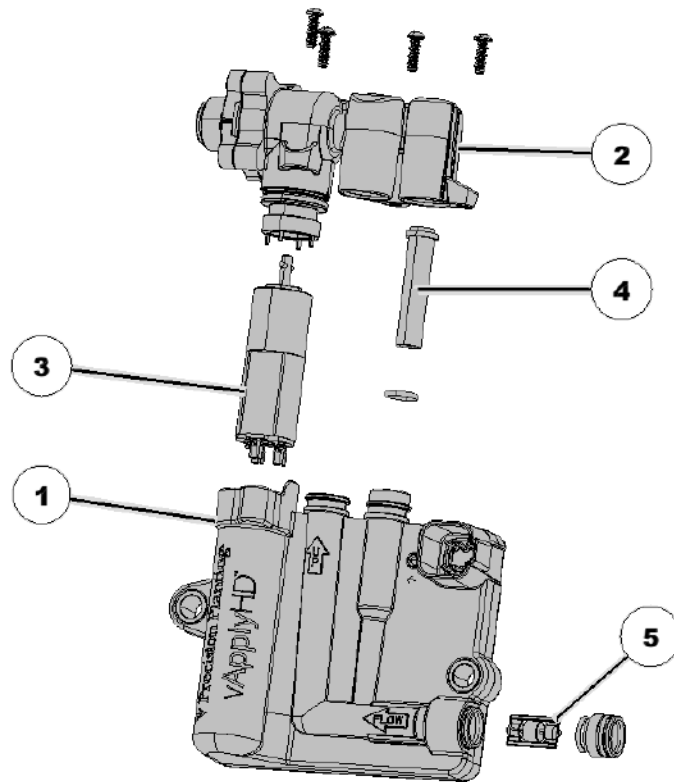
Item No.	Part Number	Part Name	QTY	Remarks
1		HALF CARTRIDGE	1	John Guest 3/8"
2		TURBINE	1	Polypro Cage, Nylon Turbine Insert

# 724300 vApplyHD Flex Module



Item No.	Part Number	Part Name	QTY	Remarks
1	724300	VAPPLY HD	1	Flex Module
2	724149	REPLACEMENT KIT	1	vApplyHD Valve Assembly
3	724159	REPLACEMENT KIT	1	vApplyHD Motor Assembly
4	724158	REBUILD KIT	1	Low Flow Sensor
5	724297	REBUILD KIT	1	High/Total Flow Sensor

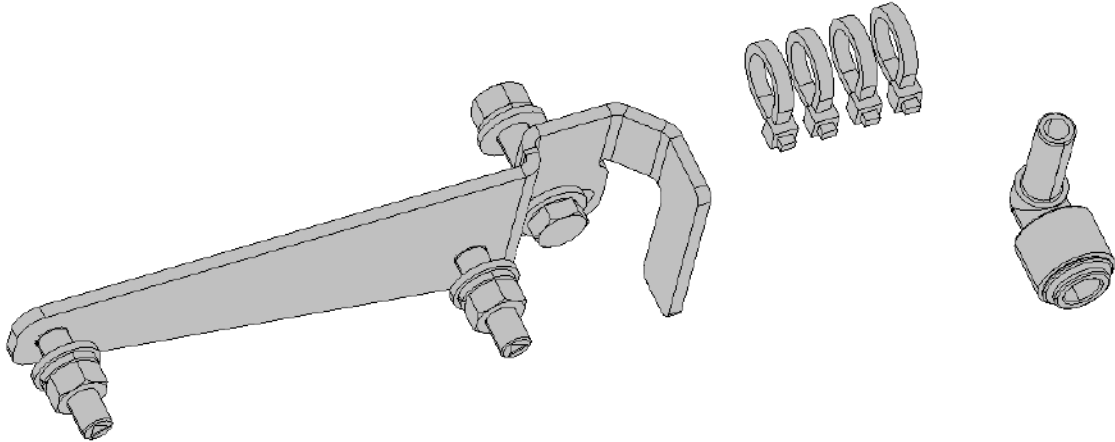
## 724350 vApplyHD Module



Item No.	Part Number	Part Name	QTY	Remarks
1	724350	VAPPLY HD	1	Standard
2	724149	REPLACEMENT KIT	1	vApplyHD Valve Assembly
3	724159	REPLACEMENT KIT	1	vApplyHD Motor Assembly
4	724158	REBUILD KIT	1	Low Flow Sensor
5	724297	REBUILD KIT	1	High/Total Flow Sensor

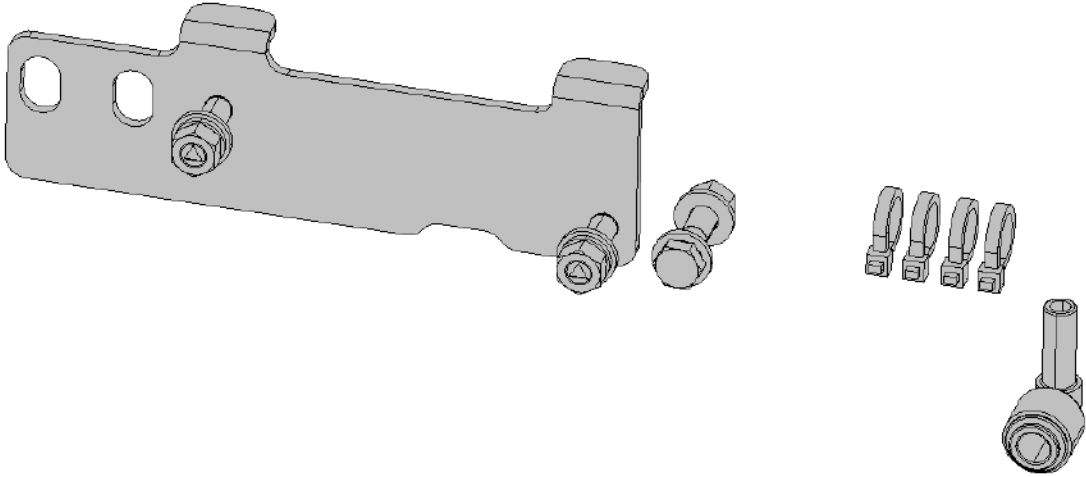


# 724359 vApplyHD Module Mounting Bracket - Goal Post Bracket



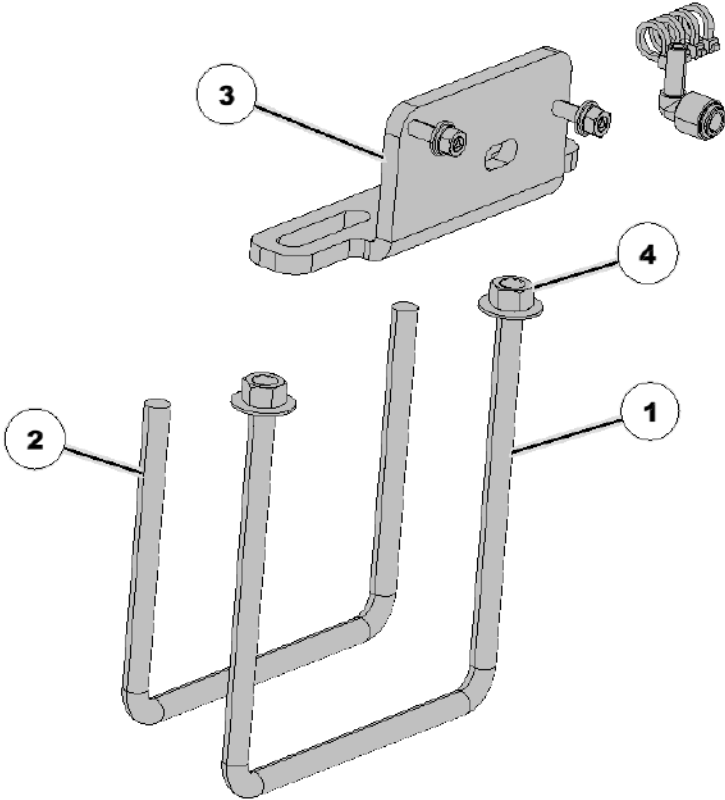
Item No.	Part Number	Part Name	QTY	Remarks
1		HARDWARE KIT	1	vApplyHD Bracket
2		BRACKET	1	vApplyHD Goal Post

# 724360 vApplyHD Mounting Bracket - Parallel Arm Bracket Kit



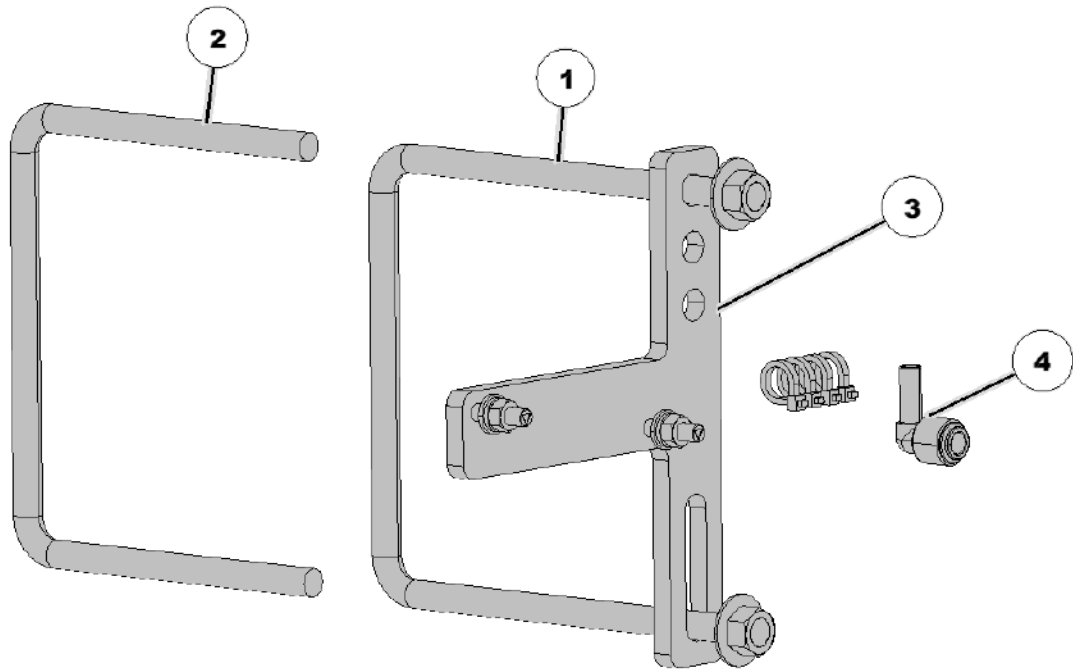
Item No.	Part Number	Part Name	QTY	Remarks
1		HARDWARE KIT	1	vApplyHD Bracket
2		BRACKET	1	vApplyHD Parallel Arm

# 724362 vApplyHD Mounting Bracket - Tool Bar Bracket - Top



Item No.	Part Number	Part Name	QTY	Remarks
1	726143	Bolt	1	7" X 7" Tube
2	730162	Bolt	1	7" X 5" Tube
3		BRACKET	1	vApplyHD Top of Bar
4		HARDWARE KIT	1	vApplyHD Bar

## 724363 vApplyHD Mounting Bracket - Tool Bar Bracket - Rear



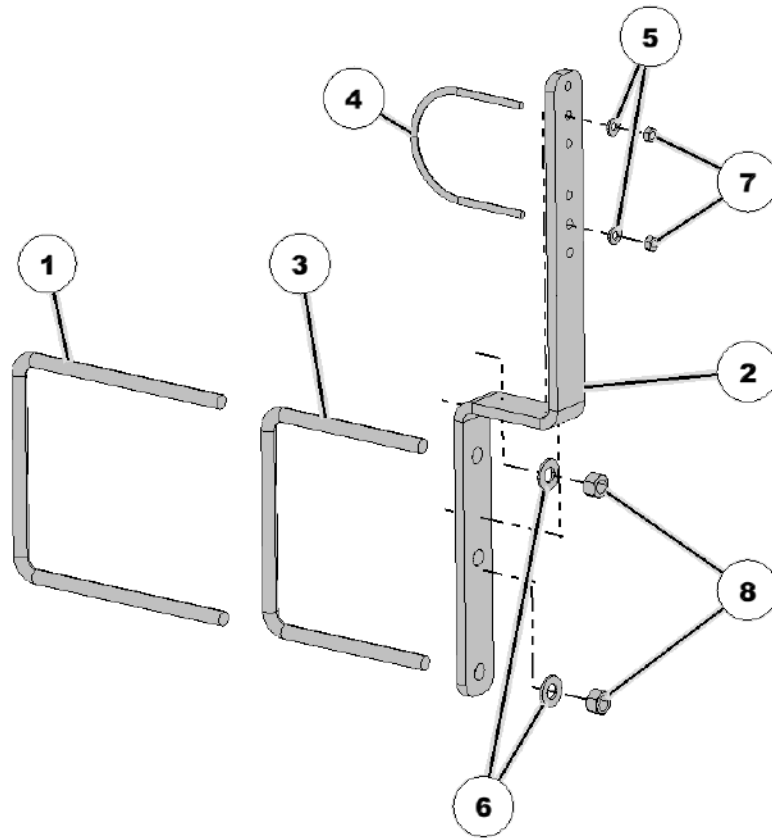
Item No.	Part Number	Part Name	QTY	Remarks
1		Bolt	1	7" X 7" Tube
2	730162	Bolt	1	7" X 5" Tube
3		BRACKET	1	vApplyHD Front of the Bar
4		HARDWARE KIT	1	vApplyHD Bar

**724425 SRM Disable Plug (for vApplyHD Flex module)**



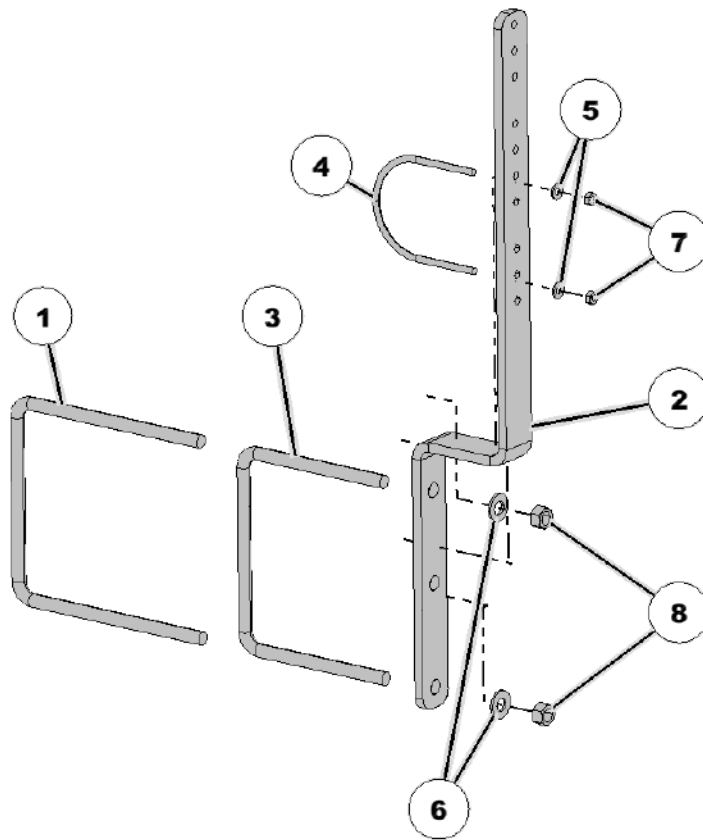
Item No.	Part Number	Part Name	QTY	Remarks
1	724425	PLUG	1	vApplyHD Flex SRM Disable

# 730125 Standard Mount Tube Bracket



Item No.	Part Number	Part Name	QTY	Remarks
1	726143	Bolt	1	7" X 7" Tube
2		Bracket	1	Vac Tube Support
3	730162	Bolt	1	7" X 5" Tube
4	730128	Bolt	1	U- Vac Tubing
		Hdwr Bag	1	Vac Front Mounting
5	33078	Washer	2	1/4 SAE Flat ZN
6	33086	Washer	2	1/2 SAE Flat ZN
7	36302	Nut	2	1/4 Hex Nut ZN
8	36310	Nut	2	1/2 Hex Nut ZN

# 730253 High Mount Tube Bracket



Item No.	Part Number	Part Name	QTY	Remarks
1	726143	Bolt	1	7" X 7" Tube
2		Bracket	1	Vac Tube Support (17")
3	730162	Bolt	1	7" X 5" Tube
4	730128	Bolt	1	U- Vac Tubing
		Hdwr Bag	1	Vac Front Mounting
5	33078	Washer	2	1/4 SAE Flat ZN
6	33086	Washer	2	1/2 SAE Flat ZN
7	36302	Nut	2	1/4 HEX Nut ZN
8	36310	Nut	2	1/2 HEX Nut ZN