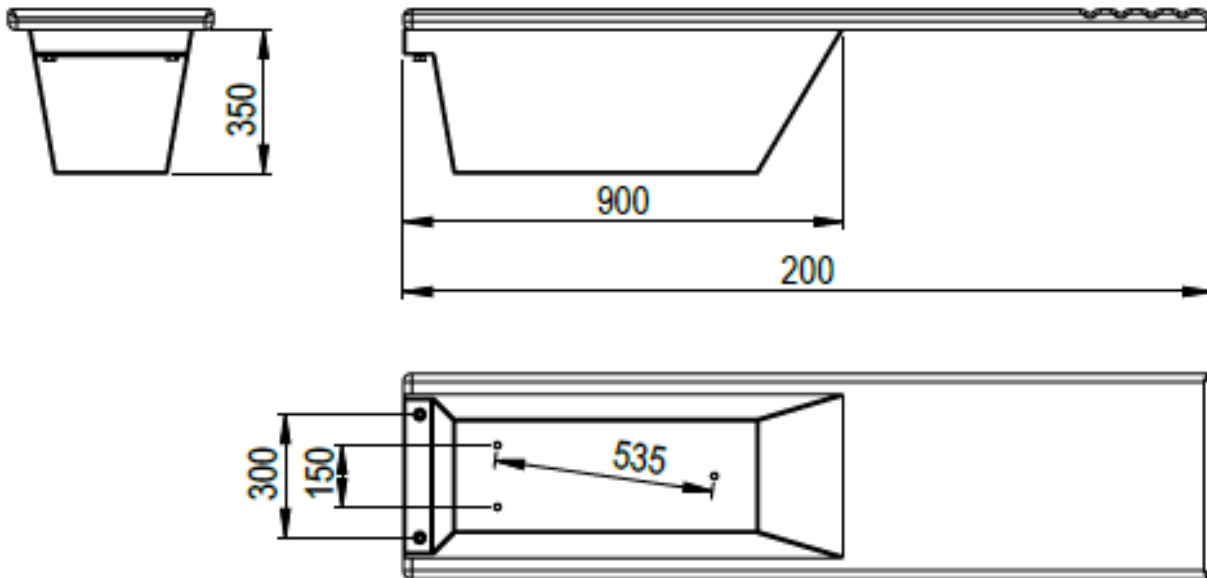
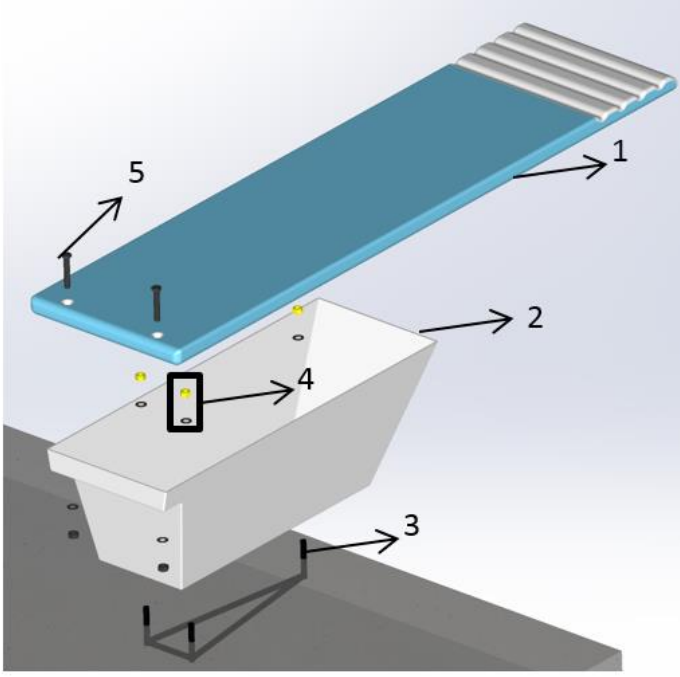


CLASSIC 200 DIVING BOARD

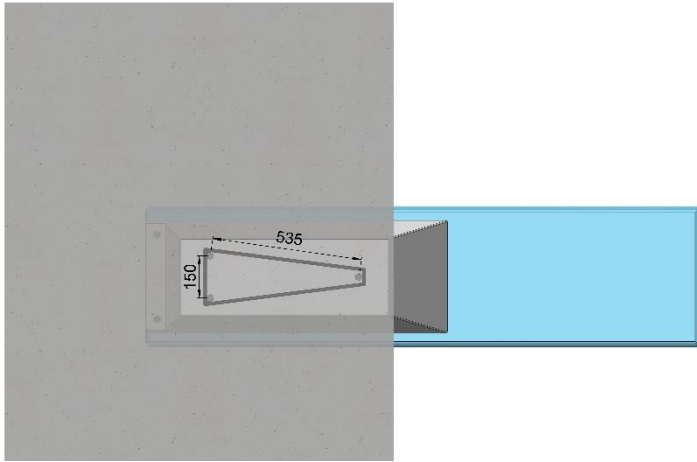
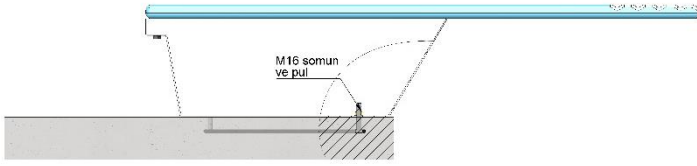
The diving boards are made of polyester resin and fiberglass. All boards have high mechanical strength, as well as excellent UV and weather resistance to ensure a long service life and a great look. For even greater safety has an anti-slip patterning along the entire surface of the board included the jumping point.





Parts:

- 1: Diving board
- 2: Diving board base
- 3: Anchor
- 4: M16 nut and washers (5 set)
- 5: M16x100 stainless steel screws (2 pieces)



Code	Height (mm)	Pieces/Box	Weight (kg)	Volume (m ³)
03420	Length: 2.00 m Height: 0.35 m Width :0.40m	1	29.000	0.196