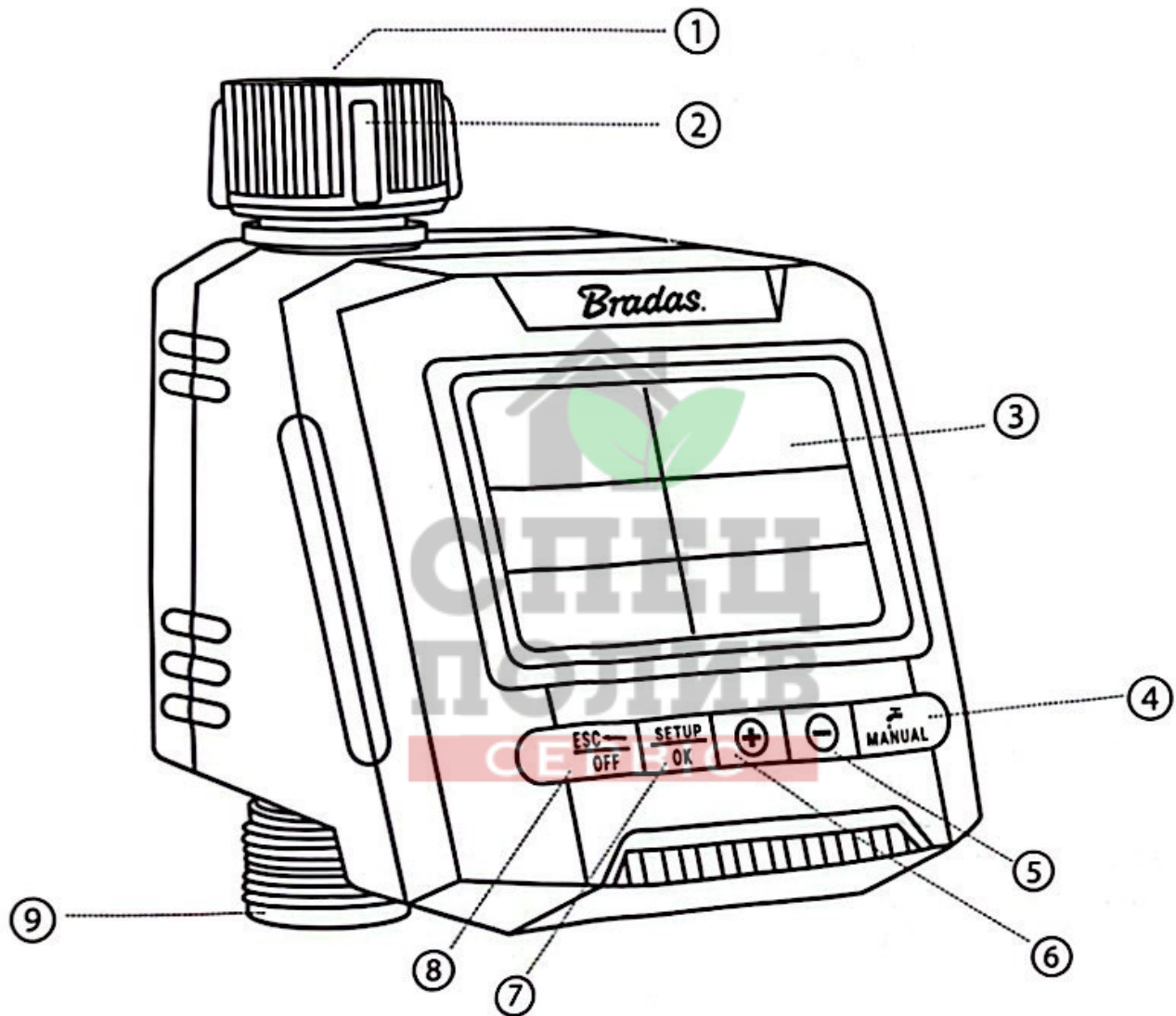


Bradas.

INSTRUCTION

ELECTRONIC CONTROLLER WITH LCD SCREEN

WL-3138

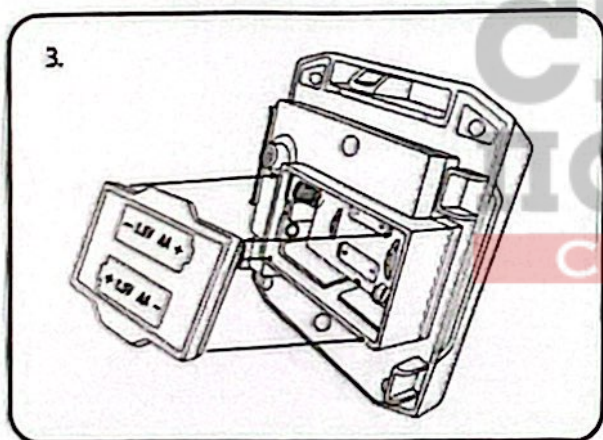
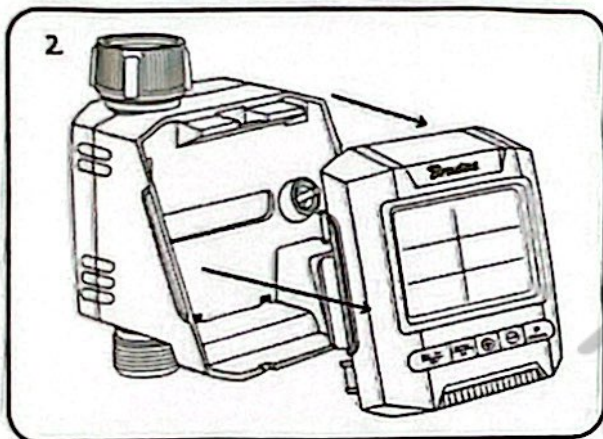
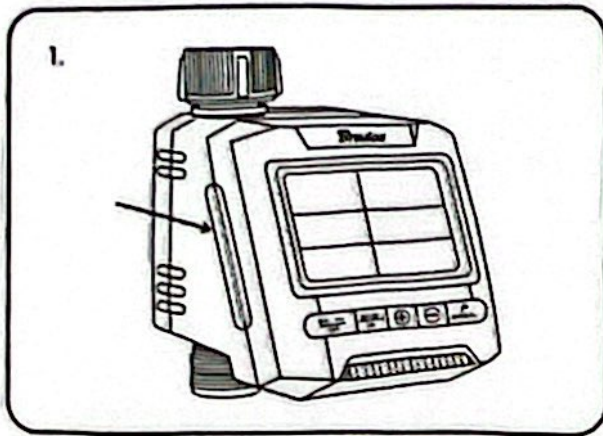


- ① Filter
- ② Tap adapter 3/4"
- ③ LCD screen
- ④ Manual control mode
- ⑤ Button -

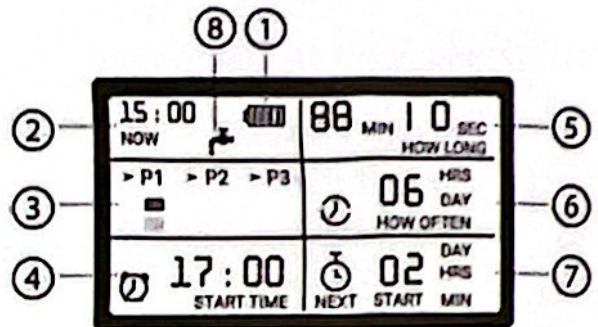
- ⑥ Button +
- ⑦ Button settings/OK
- ⑧ Return button/OFF
- ⑨ Male thread 3/4"



BATTERY INSTALLATION

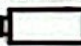


LCD SCREEN ICONS



No.	Description
①	Battery level.
②	Current time settings (0:00-23:59).
③	Irrigation programs settings (possible 3 programs per day).
④	Irrigation start time settings (0:00 - 23:59).
⑤	Irrigation duration settings (1 second - 99 minutes 59 seconds).
⑥	Irrigation frequency settings (every 1 hour - 15 days).
⑦	Next irrigation start time (day, hour, minute).
⑧	Icon turns on when water is on.

Note:

When LCD screen shows flashing battery icon , it means low battery level and they must be replaced. Make sure battery compartment is dry when replacing.

RESET

Turn device off and pull out batteries to reset controller to its factory default settings.

CURRENT TIME SETTINGS

Press button (7), then button (5) or (6) (hold to change numbers quicker) to set current time. Press button (7) to confirm settings.

MANUAL CONTROL SETTINGS

Press button (9), then button (5) or (6) (hold to change numbers quicker) to set irrigation time from 1 second - 99 minutes 59 seconds. Press button (7) to confirm settings (if not confirmed, screen returns to its initial display).

Press button (9) again to turn manual control off.

Note:

When manual control time finishes, controller resumes to automatic mode.

IRRIGATION PROGRAM SETTINGS

Press button (7) until icon P1 starts flashing. Use button (5) or (6) to choose exact program and set in succession:

1. Program turning on/off

Use button (5) or (6) to turn exact program on or off. Press button (7) to confirm settings.

2. Irrigation start time settings

Use button (5) or (6) to set irrigation start time. Press button (7) to confirm settings.

3. Irrigation duration time settings

Use button (5) or (6) to set irrigation duration time from 1 second - 99 minutes 59 seconds. Press button (7) to confirm settings.

4. Irrigation frequency settings

Use button (5) or (6) to set irrigation frequency every 1 hour - 15 days. Press button (7) to confirm settings.

Follow the same steps to set more programs P2 and P3.

Note:

1. Possible to set 3 programs.
2. Programs can be modified and check its settings easily any time.
3. When only 1 program is set, display shows only P1.

TURN ON/OFF CONTROLLER

Press button (8) and hold for 5 seconds to turn controller off.

Repeat this action to turn controller on, display returns to its initial display.

CARE AND MAINTENANCE

1. Only for outdoor use to control sprinklers and irrigation systems. Do not use for industrial purpose in contact with food products, chemicals and pesticides.
2. Operating water pressure: 2-8bar.
3. Operating water temperature: 0°C - 60°C.
4. Store controller inside during winter season and freezing conditions.
5. Protection level: IPXS.
6. Install controller above ground and vertically to tap.
7. Do not submerge in water and avoid controller to be in contact with water.

8. Do not expose to direct sunlight, high temperature or humidity.
9. Avoid contact with highly concentrated salt or sulfur.
10. Use only cloth with small amount of water to clean controller.
11. Do not pull hose once attached to controller to avoid any damage.
12. Filter traps dirt particles and prolongs life of controller. Clean filter regularly and replace when worn.
13. Do not disassemble device or attempt to change internal structure.
14. If controller does not work, read instruction carefully again or contact your store service before returning timer to store.

MAINTENANCE

1. Close tap and remove controller.
2. Drain out water from controller.
3. Remove batteries.
4. Dry controller and store in dry indoor place.

