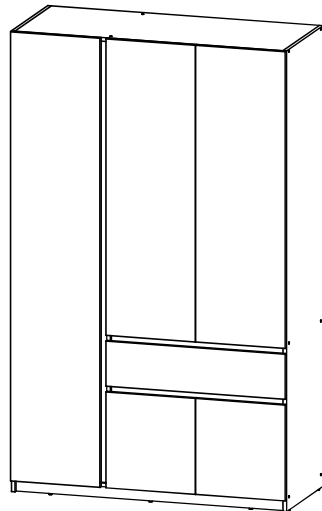
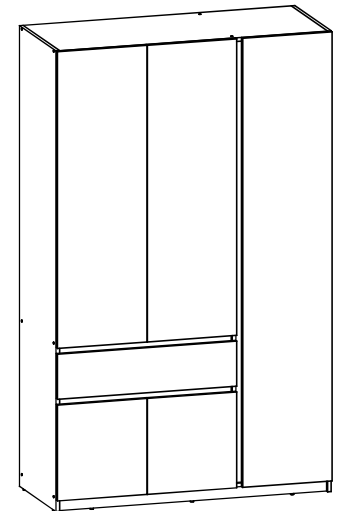


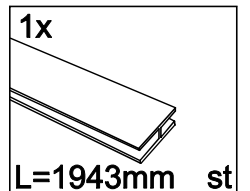
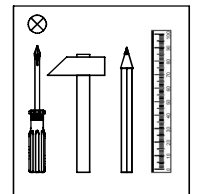
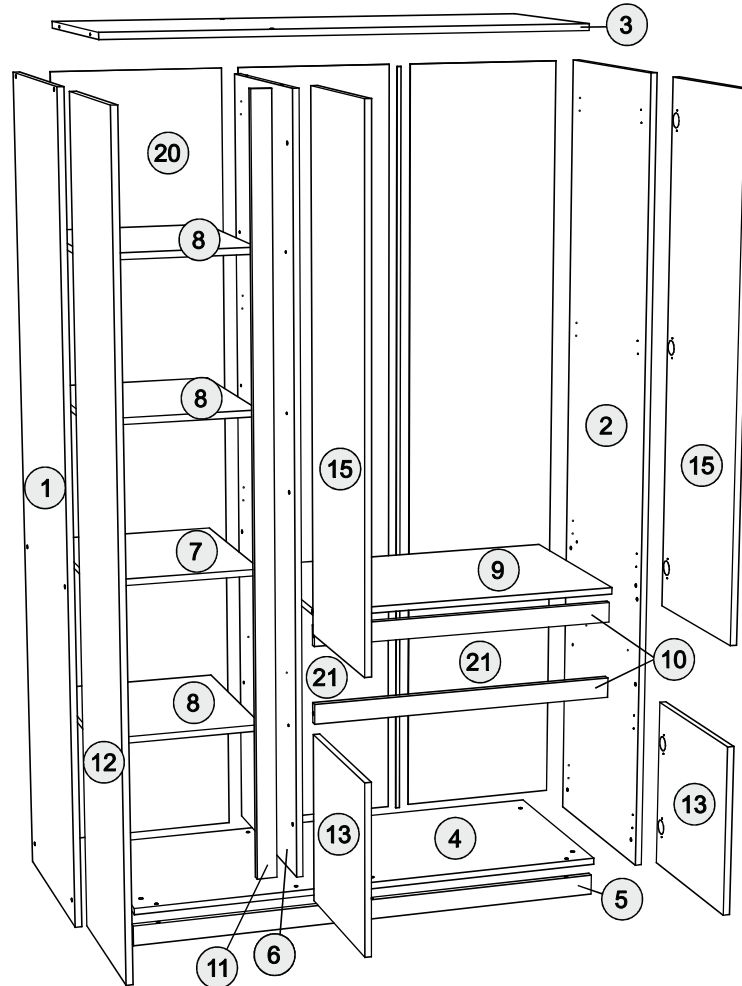
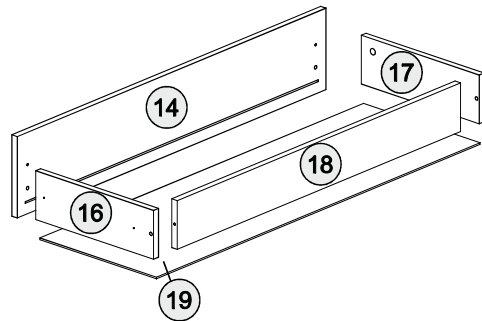
Left








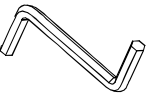
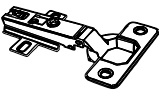
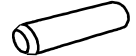

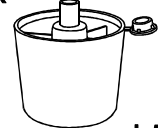

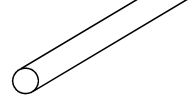




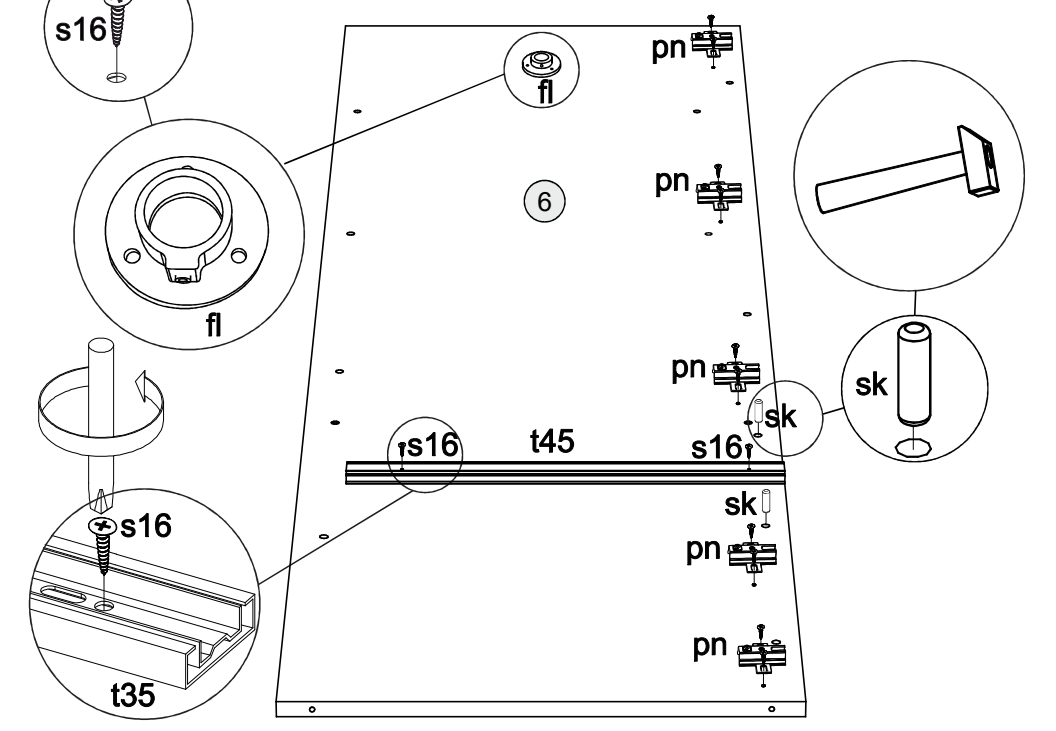
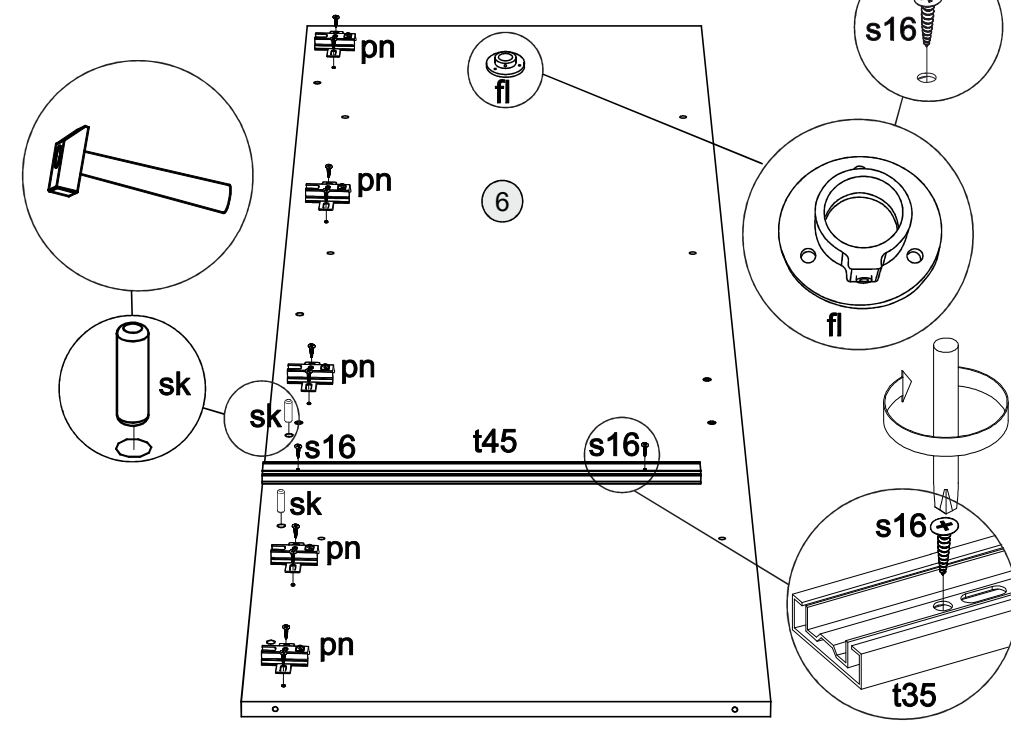
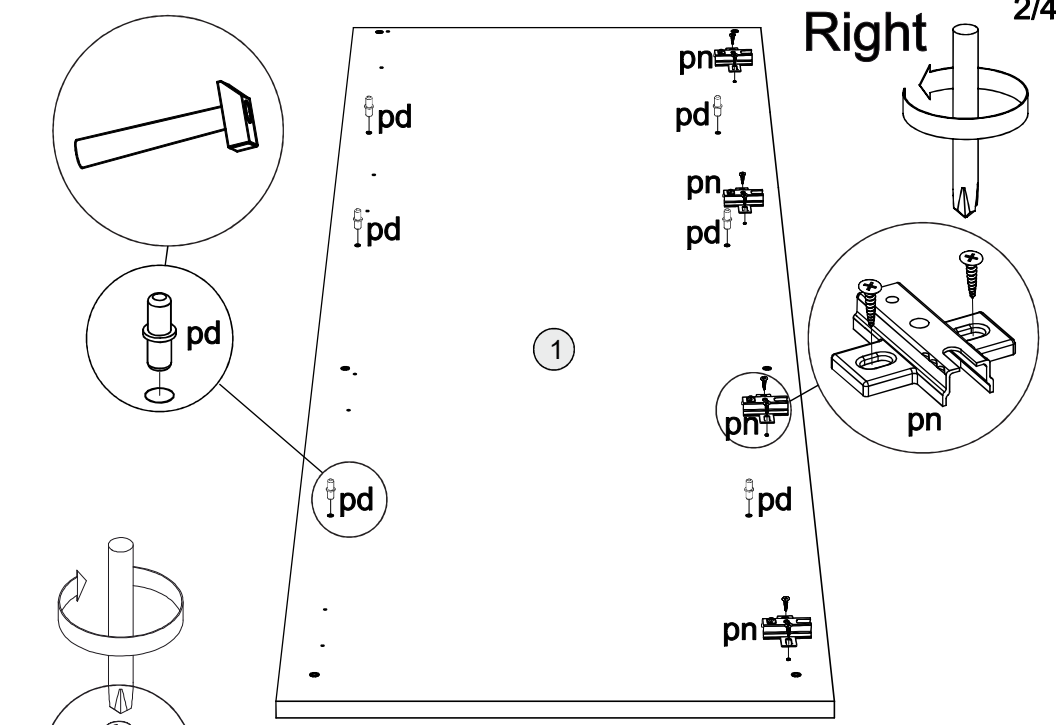
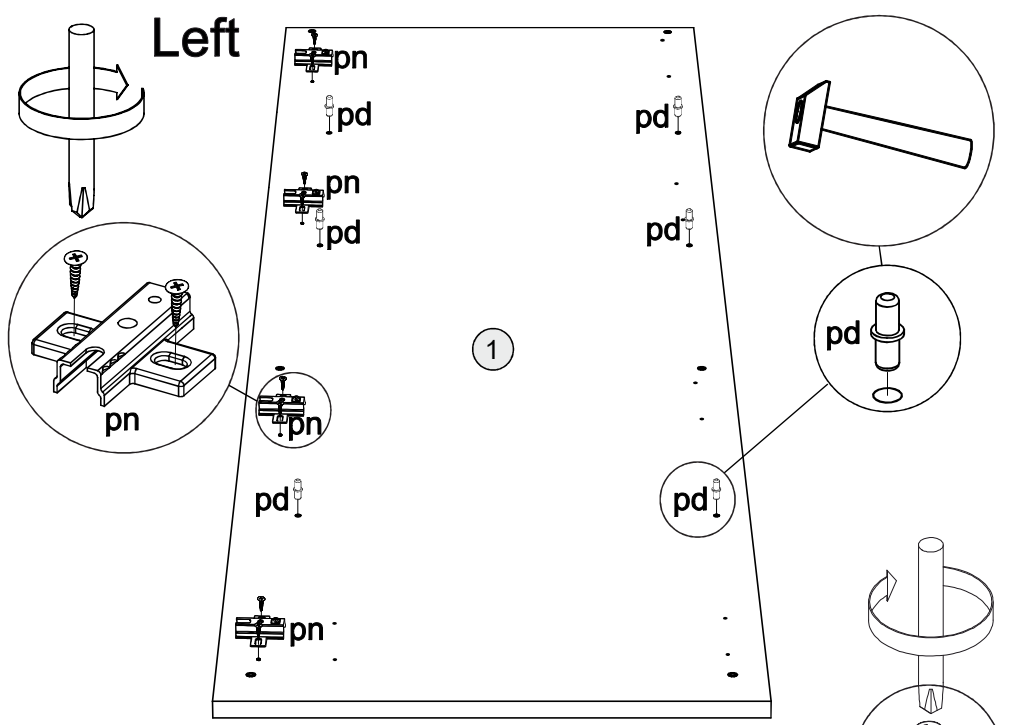
Right



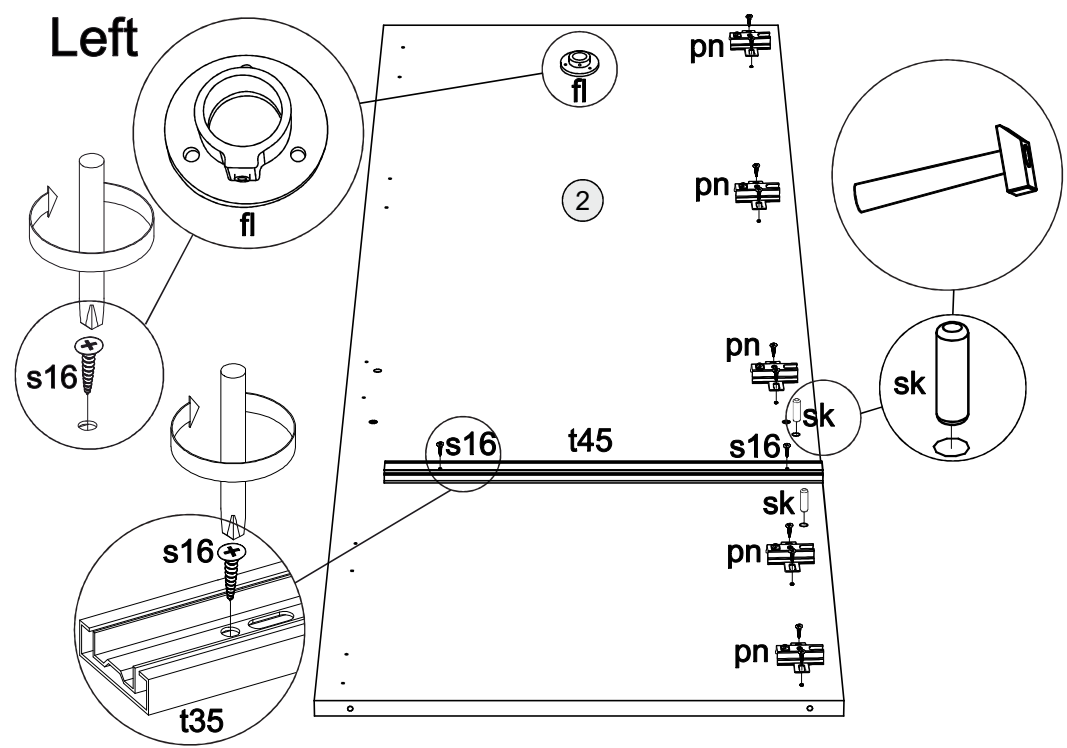
A	B		C	D
1	499	1994	1	16mm
2	499	1994	1	16mm
3	1189	499	1	16mm
4	1189	499	1	16mm
5	1189	50	1	16mm
6	499	1913	1	16mm
7	407	468	1	16mm
8	407	468	3	16mm
9	766	499	1	16mm
10	766	50	2	16mm
11	50	1913	1	16mm
12	395	1943	1	16mm
13	395	414	2	16mm
14	793	194	1	16mm
15	395	1283	2	16mm
16	450	116	1	16mm
17	450	116	1	16mm
18	708	116	1	16mm
19	738	457	1	3mm
20	428	1943	1	3mm
21	392	1943	2	3mm



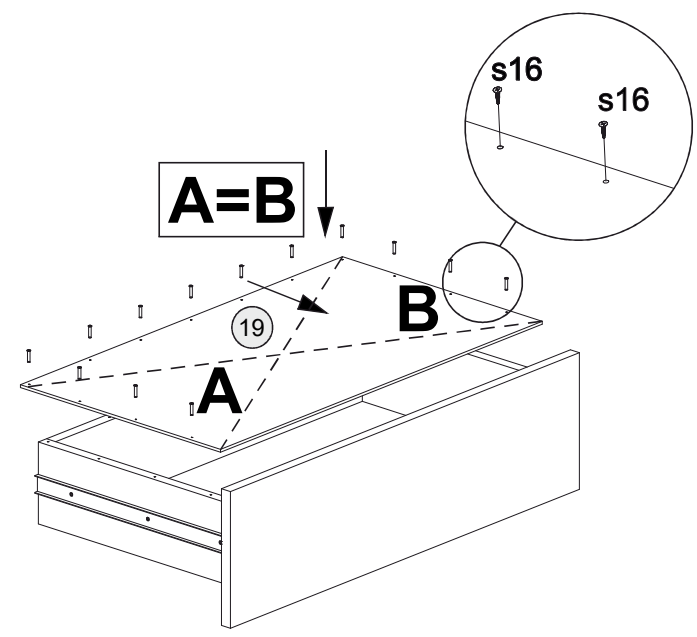
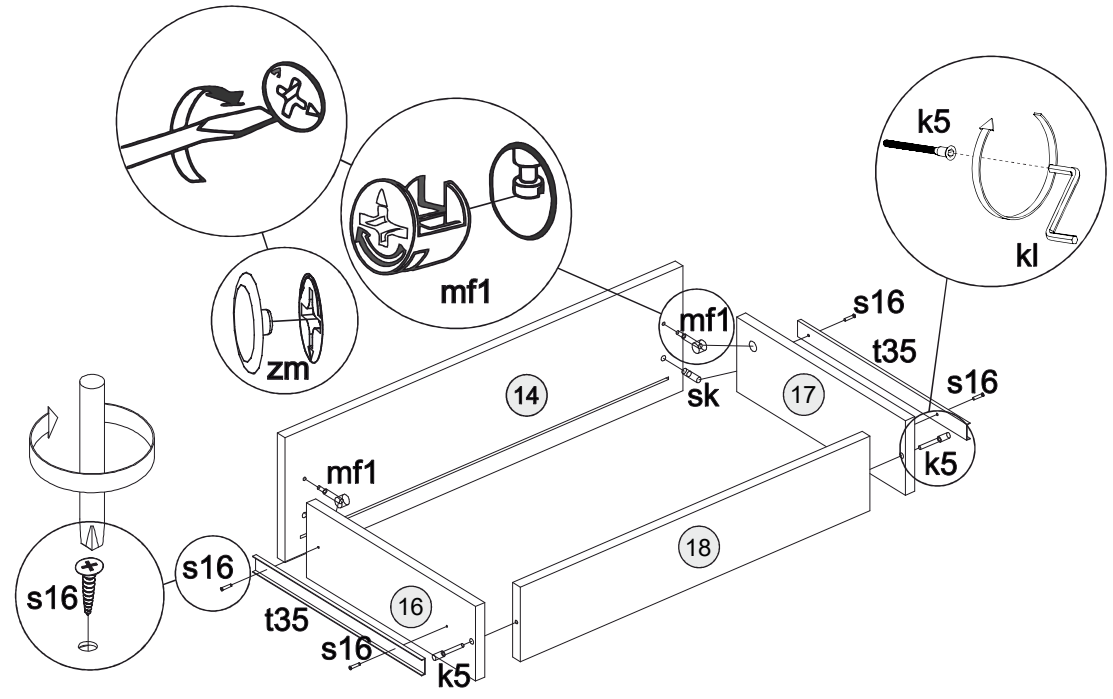
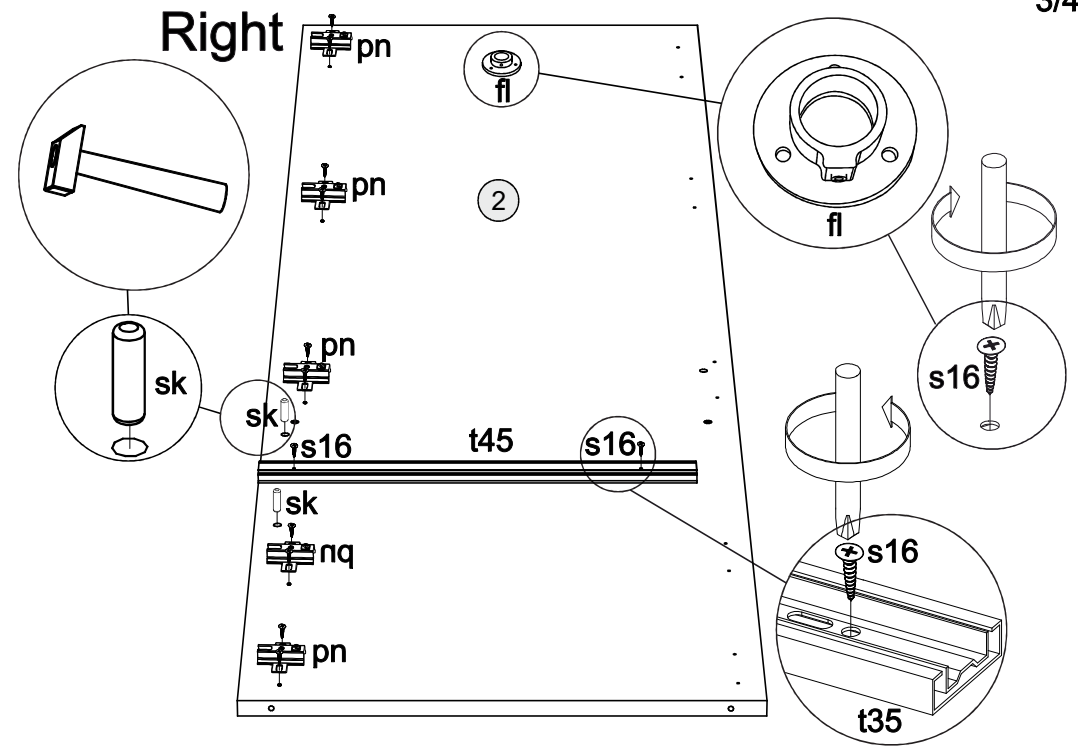
1x  L=450mm t45	31x  k5	7x  ng	100x  3,5x16 s16	2x  mf1	110x  gv	6x  up		
1x  kl	14x  pn	6x  sk	12x  pd	6x  h50	2x  fl	1x  L=766mm t25	14x  zk	2x  zm



Left

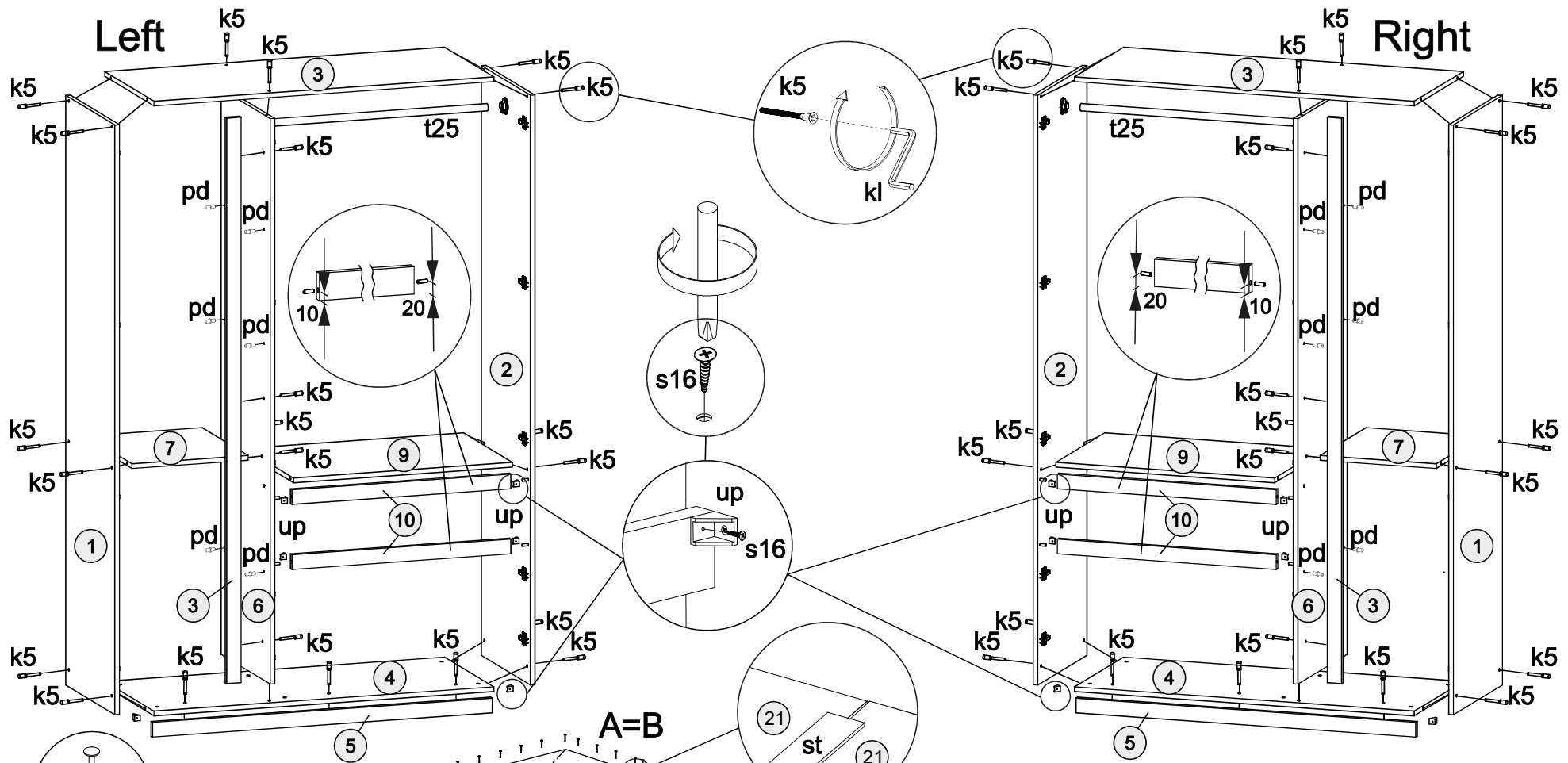


Right



Left

Right



A=B

