

1. DC UPS package

- 1) 1 x DC UPS.
- 2) 1 x 0.8m AC power cable.
- 3) 1 x 0.3 m One-to-One 5.5*2.5 male to 5.5*2.5 male DC Power Cables.
- 4) 1 x 0.3 m One-to-Two 5.5*2.5 male to 5.5*2.5 male DC Power Cables.
- 5) 1 x User's manual

2. Features

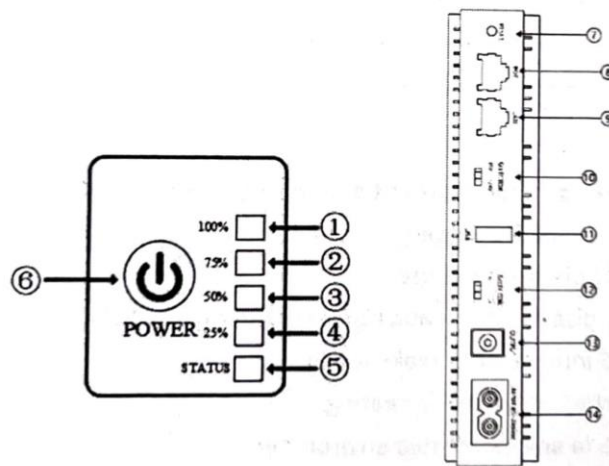
- 1) Built-in adapter allows wide AC voltage range 85Vac-265Vac.
- 2) Built-in high capacity lithium batteries, provides long backup time to loads.
- 3) Suitable for most digital device.
- 4) Power over Ethernet (POE)(Except DC1018C/ DC1018/ DC1036/ DC1036C) can transmit the data and power at the same time to simplify wire set.
- 5) 5V USB output, can provide charging for mobile phone, PSP, PDA, IPOD, MP4....etc.
- 6) Intelligent circuit design with over-charging, over-discharging and short circuit protections.

3. Operation

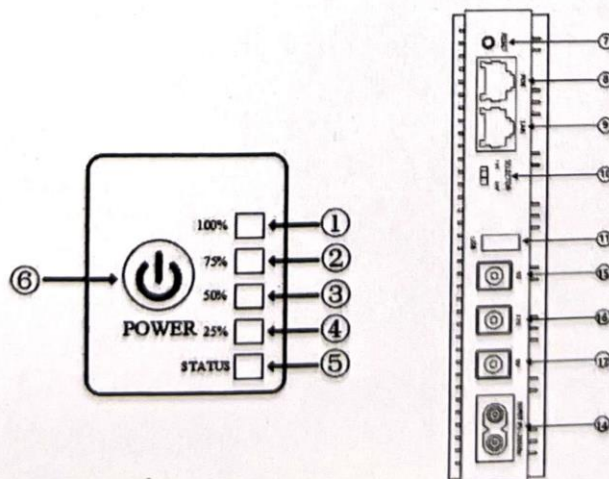
- 1) In order to avoid over-discharging of the lithium batteries, please restart the UPS when the AC is available after low battery cutoff.
- 2) Before connecting the loads to the UPS, it is must to check their nominal working voltage, current and polarity which you can find on their original adapters.
- 3) Please charge the UPS full of battery before connect with loads.
- 4) The output power of this model is controlled by total power capacity. The total power of the loads which connect to all the ports can't exceed the maximum output power. Otherwise, all the output ports will be closed, and the UPS will be shut down automatically after the light of status flashing in 5 seconds. In this situation, please remove the exceed loads.
- 5) Press and hold the power button for 2-3 seconds to switch on the UPS. The output voltage of POE port can be selected between 15V and 24V by moving the POE voltage switch(Except DC1018C/ DC1018/ DC1036/ DC1036C). After plug in the city power, the status lights become green for charging. The 100% means is full of charge. In the process of charging, the power indicator lights indicate the capacity of the battery by 25%, 50%, 75% and 100% increasingly. When disconnect the city power, the status lights become red for battery backup mode, and the power indicator light will turn off one by one from 100%, 75%, 50% to 25%. When the light of 25% is flashing, it means that the battery power is very low, then press and hold the power button for 2-3 seconds to turn off the UPS and stop output voltage.
- 6) The USB provides stable charging to the 5V digital products with their original charging cables.
- 7) UPS will be shut down automatically when it is low battery, it will restart the output power when the AC is recovering.
- 8) If the UPS not used for long time, please keep full of charge and keep it in the cool place. If the storage time is too long to turn on, please plug in the city power for charging till the status lights become green. It's recommend to charge the battery once per month.

4. Instructions of the components

- 1) 100% Battery capacity LED indicator
- 2) 75% battery capacity LED indicator
- 3) 50% battery capacity LED indicator
- 4) 25% battery capacity LED indicator
- 5) Work status indicator
- 6) ON/OFF Switch
- 7) Reset button for POE (Except DC1018C/ DC1018/ DC1036/ DC1036C)
- 8) Ethernet output interface (POE output: 15V/24V) (Except DC1018C/ DC1018/ DC1036/ DC1036C)
- 9) LAN Ethernet interface (Except DC1018C/ DC1018/ DC1036/ DC1036C)
- 10) Output voltage Selector (15V/24V) (Except DC1018C/ DC1018/ DC1036/ DC1036C)
- 11) USB (5Vdc) output port.
- 12) Output voltage Selector (9V/12V) (Only DC1018C/DC1018CP/DC1036C/DC1036CP)
- 13) Output port(9V/12V) (Only DC1018C/DC1018CP/DC1036C/DC1036CP)
- 14) AC input socket
- 15) Output port(5V) (Except DC1018C/DC1018CP/DC1036C/DC1036CP)
- 16) Output port(12V) (Except DC1018C/DC1018CP/DC1036C/DC1036CP)
- 17) Output port(9V) (Except DC1018C/DC1018CP/DC1036C/DC1036CP)



DC1018C/DC1018CP/DC1036C/DC1036CP



DC1018/ DC1018P / DC1036/ DC1036P

5.Specification

Model	DC1018C	DC1018CP	DC1018	DC1018P	DC1036	DC1036P	DC1036C	DC1036CP
Input	85-256V ac / 50-60 Hz							
Output	USB 5V/2A	USB 5V/2A	USB 5V/2A	USB 5V/2A	USB 5V/2A	USB 5V/2A	USB 5V/2A	USB 5V/2A
	DC 9V/1A	DC 9V/1A	DC 5V/2A	DC 5V/2A	DC 5V/2A	DC 5V/2A	DC 9V/4A	DC 9V/4A
	DC 12V/1A	DC 12V/1A	DC 9V/1A	DC 9V/1A	DC 9V/2A	DC 9V/2A	DC 12V/3A	DC 12V/3A
		POE 15V/0.6A	DC 12V/1A	DC 12V/1A	DC 12V/2A	DC 12V/2A		POE 15V/1A
		POE 24V/0.6A		POE 15V/0.6A		POE 15V/1A		POE 24V/1A
				POE 24V/0.6A		POE 24V/1A		
Output power(Max.)	18W	18W	18W	18W	36W	36W	36W	36W
Quantity & Capacity of battery	1800mAh*4~2600mAh*4							
Operate temperature	0°C ~ 45°C							
Humidity	10 % - 90 % RH							
Dimension	160*105*33 mm							
Net weight	0.38kg	0.4kg	0.39kg	0.4kg	0.4kg	0.42kg	0.39kg	0.41kg

6. Warning

- 1) Do check the working voltage, current and polarity of the loads before connecting them to the UPS, then choose the corresponding voltage.
- 2) Please charge fully before initial use.
- 3) Dropping, hitting, disassembling and repairing privately are forbidden.
- 4) Don't put the UPS into water or make it wet.
- 5) Don't dispose of the UPS in fire or heating.
- 6) Don't use the UPS in any flammable environments.
- 7) Don't put the UPS in any places where Children can reach.