

# LMG series

IEC electric motor range from size 63 up to size 225



# BELL-HOUSING & COUPLING SIZING

## A GUIDE TO SELECT THE CORRECT BELL-HOUSING AND DRIVE COUPLING

### DATA REQUIRED

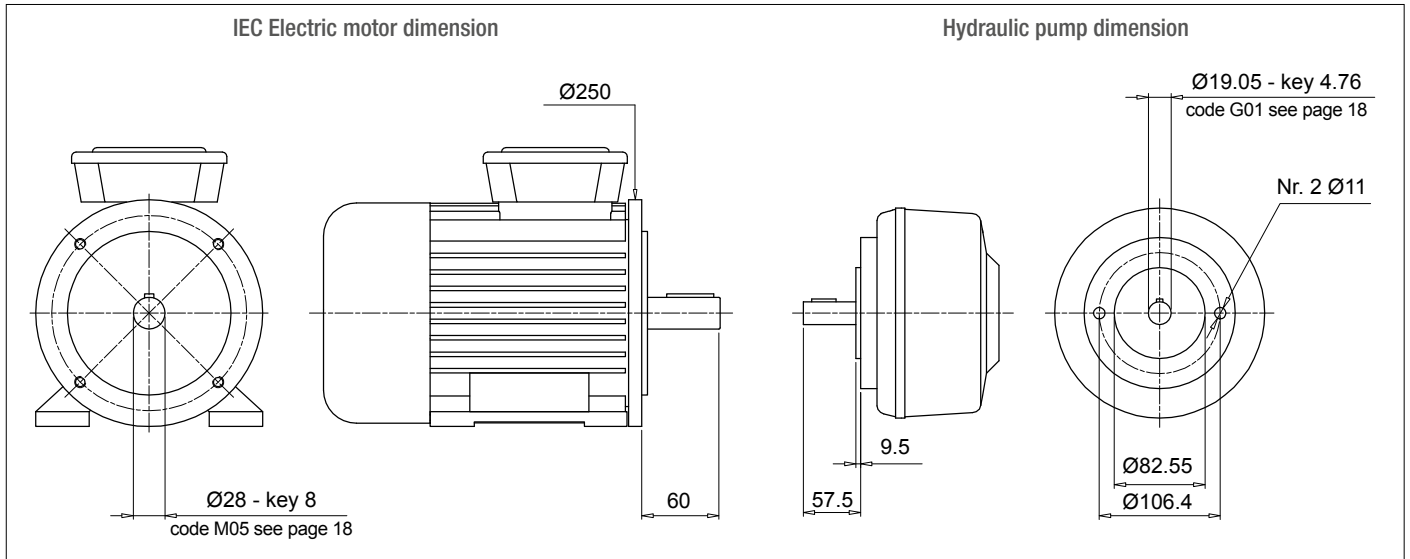
- Electric motor power/motor size
- Manufacturer and pump type

### TO VERIFY:

- 1 - Pump and motor shaft dimensions (see electric motor data sheet)
- 2 - Shaft and flange pump (see pump data sheet)

### Example:

- Electric motor 2.2 kW - size 100-112
- Atos pump code PFE31 - Shaft 1



### Bell-Housing's length calculation

- $H = 60 + 18 + 57.5 = 135.5$  mm (18 = Sp spider - see page 31)
- Choose type of bell-housing (LMC - LMS):  
For monobloc bell-housing LMC/LDC series see pages 71 ÷ 77  
For Low noise bell-housing LMS/LDS series see pages 79 ÷ 85  
For Multi-components 2-3 bell housing series see pages 87 ÷ 107

#### Note:

The length of bell-housing must be  $\geq$  than the length calculated (135.5 mm)

### Case A

Solution with monobloc bell-housing series **LMC/LDC**

Pages 71 ÷ 77 for IEC Electric motor size 100-112 - LMC250

LMC 250 bell-housing with height  $\geq 135.5$  - LMC250AFSQ

The bell-housing code must be completed with pump drilling code (see pages 56-57).

For the specific case:

Spigot hole 82.55 - PCD 106.4 - Nr.2 holes M10 : Drilling code 060

Definitive bell-housing code **LMC250AFSQ060**

### Case B

Solution with low noise bell-housing series **LMS/LDS**

Pages 79 ÷ 85 for IEC Electric motor size 100-112 - LMS250

LMS 250 bell-housing with height  $\geq 135.5$  - LMS250AFSA

The bell-housing code must be completed with pump drilling code (see pages 56-57).

For the specific case:

Spigot hole 82.55 - PCD 106.4 - Nr.2 holes M10 : Drilling code 060

Definitive bell-housing code **LMS250AFSA060**

### Coupling selection

#### Motor half-coupling (see page 26)

For IEC Electric motor size 100/112, the half-coupling is **SGEA21M05060FG**

#### Spider (see page 31)

For SGEA21, EGE2 - EGE2RR

(choose spider material on the base of the application, oil, temperature and cycle machine, etc.)

#### Pump half-coupling

Choose the drilling code - see pages 18-19 for shaft 19.05 - key 4.76 - code: **G01**

Pump half-coupling length = BH length - THK Spider - THK Spigot

$$\text{LMC} = 138 \text{ mm} - 60 - 18 - 9.5 = 50.5 \text{ mm}$$

$$\text{LMS} = 148 \text{ mm} - 60 - 18 - 9.5 = 60.5 \text{ mm}$$

LMC - Choose the half-coupling's length at page 26  $\leq$  50.5 mm.

LMS - Choose the half-coupling's length at page 26  $\leq$  60.5 mm.

LMC - Available length for SGEA21 = 50 mm

LMS - Available length for SGEA21 = 60 mm

Half coupling for LMC: **SGEA21G01050FG**

Half coupling for LMS: **SGEA21G01050FG**

### SOFTWARE FOR AUTOMATIC CALCULATION

available on the web site [www.mpfiltri.com](http://www.mpfiltri.com)

PRODUCT SELECTION | POWER TRANSMISSION SOFTWARE | FILTER SIZING SOFTWARE

SELECTION FROM PUMP MANUFACTURER | SELECTION FROM SHAFT / FLANGE DATA | SELECTION WITH PUMP DATA ENTRY | SELECTION FROM KIT CODE

Manufacturer:

Pump type :

Pump code:

ELECTRIC MOTOR DATA

N. Poles:  L:  D:  Fig.:  Ch:

Motor frame:

Size:

Power Kw:

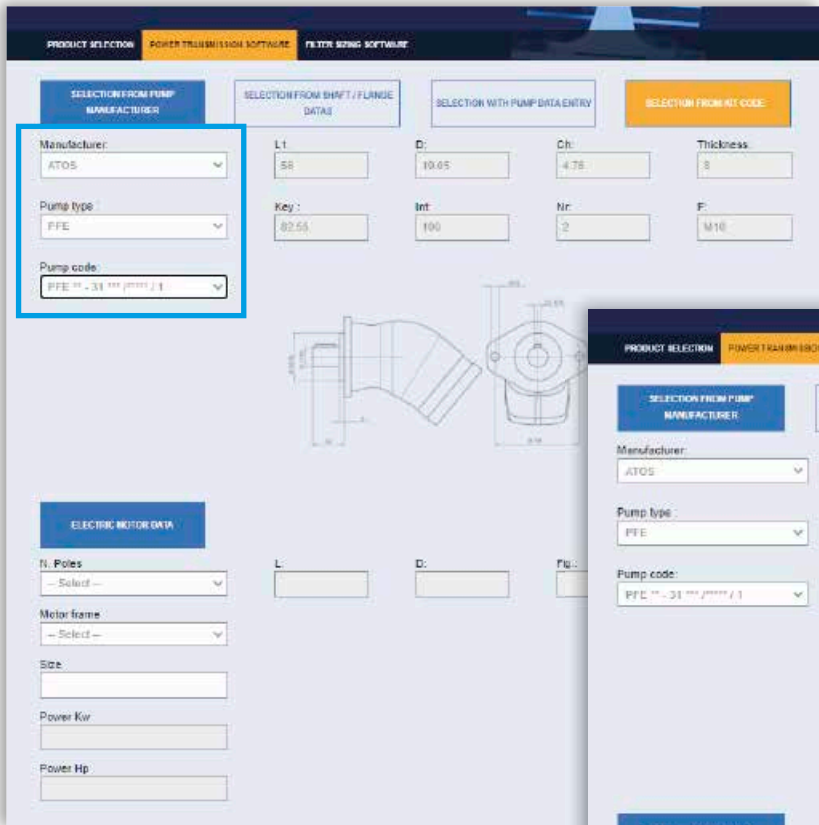
Power Hp:

**Note:** for multi pumps we recommend to use a specific support on the base of the pump's dimensions and weight.

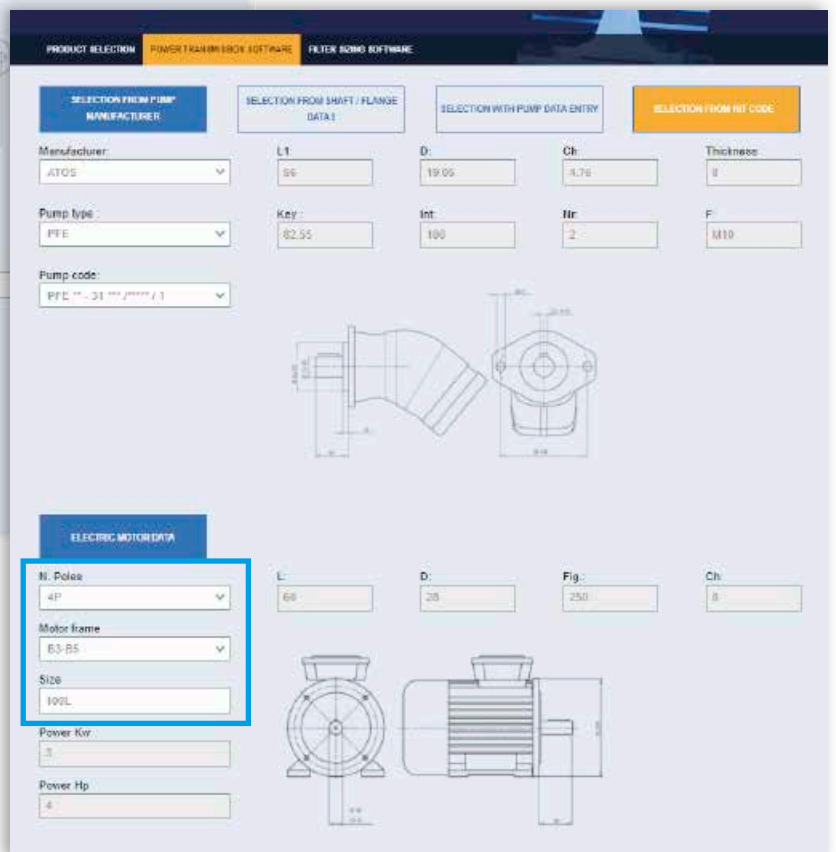
**Step 1** Select "POWER TRANSMISSION SOFTWARE" after login



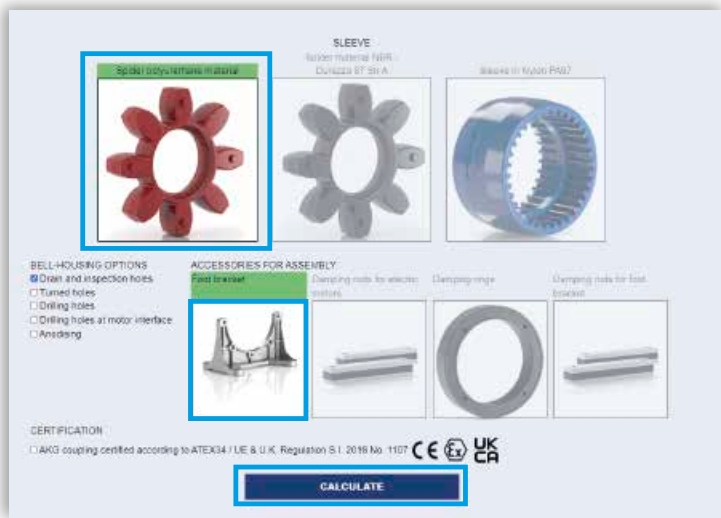
**Step 2** Choose Manufacturer: select "Pump type" and "Pump code"



**Step 3** Choose N Poles of "Electric motors": select "Motor frame" and "Size"



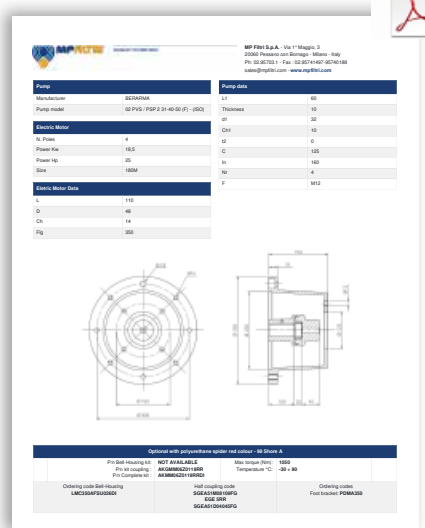
**Step 4** Choose the insert and eventual Bell-Housings option and accessories for assembly: click on "CALCULATE"



**Step 5** Select the option requested and download the report.



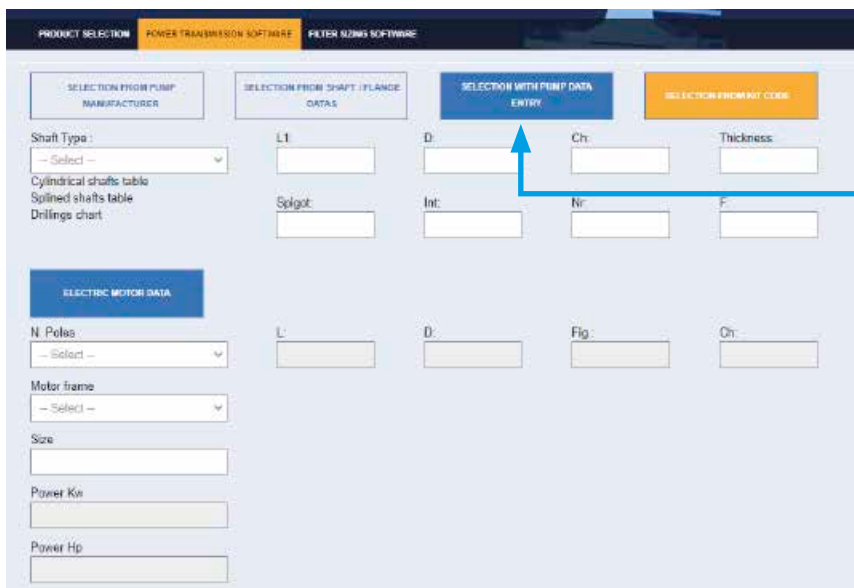
**Step 6** Download PDF



You can't find the pump on the system?

**NEW FEATURE!!**

Insert pump's dimension on the section "SELECTION WITH PUMP DATA ENTRY" and follow the instructions to achieve the couplings components code



Noise is a particularly pervasive problem so much so that there have been statutory regulations in place now for some years, designed to limit harmful occupational exposure.

Many of the machines used in industry today are equipped with oil-hydraulic systems, which happen to be a major source of noise.

## ① THEORY AND DEFINITION OF NOISE

From a health and hygiene standpoint, noise can be defined as an unpleasant and undesirable sound, or an unpleasant and annoying or intolerable auditory sensation (noise being any sound phenomena that may be accompanied by sensations of disturbance and pain). By definition, acoustic phenomena are oscillatory in character, propagated in a flexible medium and causing pressure variations at the points, and the areas adjacent to those points, through which they pass.

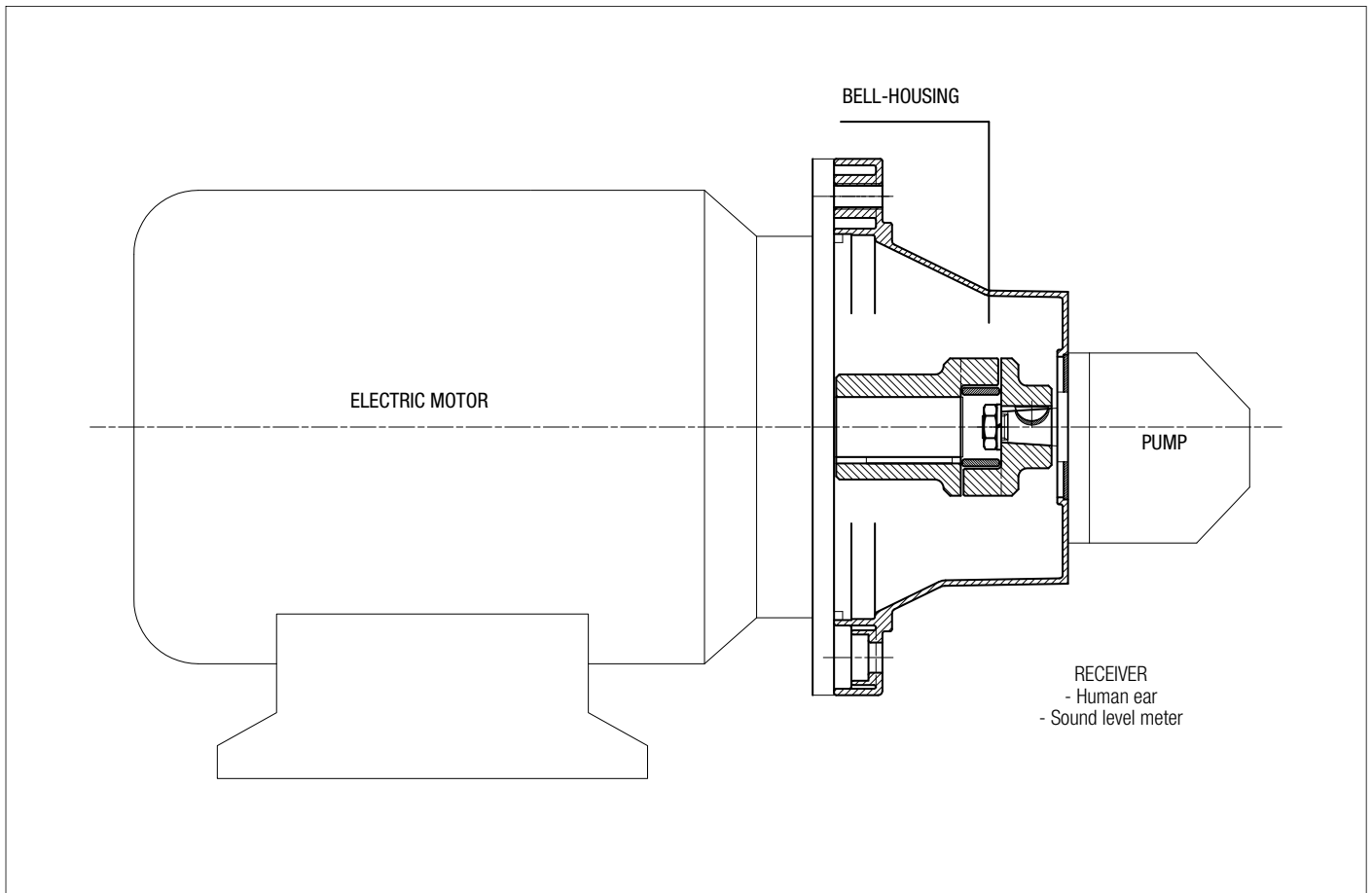
## ② SOUND

Technically considered, certain elements must be present simultaneously for acoustic phenomena to occur:

- Sound source
- Transmission medium
- Receive

The electric motor and the pump, together with the drive coupling, are the SOURCE OF THE NOISE. The Bell-housing is the noise transmission MEDIUM. Depending on whether the monobloc bell-housing is a rigid or low noise type, there will be variations in the flexible properties of the transmission medium. The acoustic phenomena are dissimilar in the two cases, given the differences in pressure variation and particle displacement.

## MOTOR AND PUMP UNIT



Low noise bell-housing will help to attenuate the transmission of vibrations and the emission of noise generated by the system.

Self-evidently, however, the mere adoption of a low noise bell-housing will achieve little unless the motor and pump are correctly installed on the machine or on the tank of the hydraulic power unit.

Should be followed in order to achieve best possible results and correct installation:

## 1 MOTOR AND PUMP UNIT MOUNTED HORIZONTALLY ON OIL TANK LID

- The suction pipe attached to the pump must be rigid and fitted using a resilient bulkhead flange of the FTA series, which helps to cushion the vibrations propagated between the pipe and the tank lid.  
If pipes need to be bent, the radius of curvature must be at least 3 times the pipe diameter.  
Do not use elbow fittings, as these will significantly increase pressure losses.
- The pressure pipeline of the pump must be flexible and long enough to include bends with the minimum radius of curvature recommended by the manufacturer for the specified operating pressure.
- The return pipeline running from the service to the filter must be flexible.  
Where oil is returned directly to the tank of the hydraulic power unit through a rigid pipe, it is advisable to use a resilient bulkhead flange of the FTR series, which helps to cushion the vibrations propagated between the pipe and the tank lid.
- Anti-vibration devices (resilient mounts or damping rods) must be located under the feet of the electric motor or the PDM foot brackets, depending on the mounting position of the motor.
- The lids of hydraulic oil tanks must be sturdy enough to support the load they carry.

## 2 MOTOR AND PUMP UNIT MOUNTED HORIZONTALLY ON MACHINE

- As a matter of good practice, the oil tank and motor-pump unit should be mounted on a single supporting frame of strength sufficient to support the load.
- If the hydraulic system is fitted with a side-mounted filter, the suction pipeline to the pump must be flexible and long enough to include bends with the minimum radius of curvature recommended by the manufacturer.
- If the suction filter is not side mounted, the pipeline should be rigid and installed in conjunction with a compensating coupling.
- The pressure pipeline of the pump must be flexible, and long enough to include bends with the minimum radius of curvature recommended by the manufacturer for the specified operating pressure.
- The return pipeline running from the service to the filter must be flexible.  
Where oil is returned directly to the tank of the hydraulic power unit through a rigid pipe, it is advisable to use a resilient bulkhead flange of the FTR series, which helps to cushion the vibrations propagated between the pipe and the tank lid.
- Anti-vibration devices (resilient mounts or damping rods) must be located under the feet of the electric motor or the PDM foot brackets, depending on the mounting position of the motor.

## FINAL CONSIDERATION

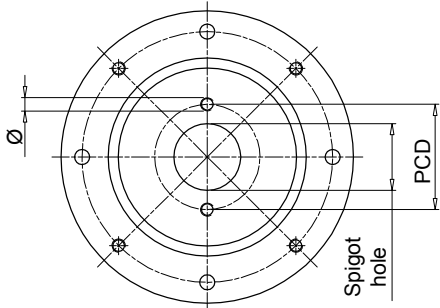
For best results, in any event, the motor-and-pump unit should be incorporated into the hydraulic system in such a way that no one component is rigidly associated with another, resulting in the propagation of vibration, and consequently noise.

## RECOMMENDED TIGHTENING TORQUES FOR MOTOR/PUMP FIXING ON THE BELL-HOUSING

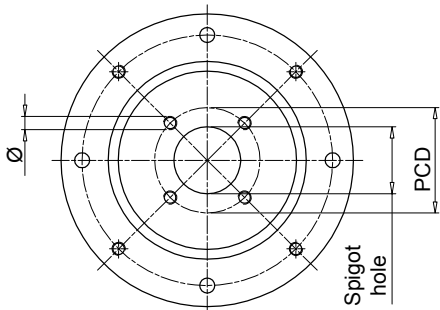
M6	10 N·m	M16	205 N·m
M8	15 N·m	M18	280 N·m
M10	50 N·m	M20	400 N·m
M12	84 N·m	M22	530 N·m
M14	135 N·m	M24	690 N·m

**Note:** The above guidelines are indicative only and subordinate to the solutions adopted ultimately by design engineers.

### Valid configuration for bell-housing up to Ø400

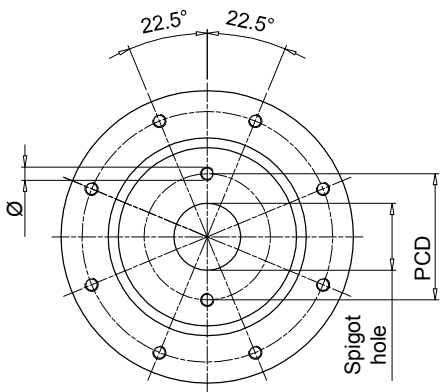


Bell-housing with nr. 2 holes at pump interface, aligned with through holes at motor interface.

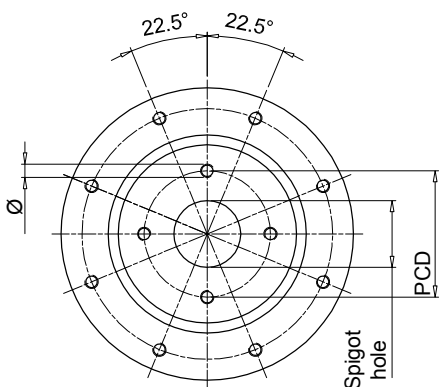


Bell-housing with nr. 4 holes at pump interface, aligned with thread holes at motor interface.

### Valid configuration for bell-housing from Ø450 to Ø660



Bell-housing with nr. 2 holes at pump interface + 22.5° compared to through holes at motor interface.



Bell-housing with nr. 4 holes at pump interface + 22.5° compared to thread holes at motor interface.

Spigot hole [mm]	PCD	Ø	Nr. holes	Code	Type
<b>40</b>	72.00	M8	2	<b>191</b>	-
<b>45.2</b>	88.90	M8	4	<b>096</b>	-
	71.80	M8	4	<b>120</b>	-
<b>50</b>	80.00	M8	2	<b>052</b>	ISO3019-2-50-B2
	93.00	M10	2	<b>053</b>	-
	60.00	M5	4	<b>280</b>	-
	63.00	Ø7	4	<b>057</b>	-
	93.00	M8	2	<b>287</b>	-
<b>50.8</b>	82.50	M8	2	<b>050</b>	SAE A-A 50-2
<b>56</b>	76.00	M6	4	<b>234</b>	-
<b>57.15</b>	106.40	Ø11	2	<b>212</b>	-
<b>60</b>	74.00	M10	4	<b>098</b>	-
	98.50	M6	4	<b>147</b>	-
	75.00	M6	4	<b>227</b>	-
<b>62.7</b>	157.20	M12	4	<b>231</b>	-
<b>63</b>	100.00	M8	2	<b>042</b>	ISO3019-2-63-B2
	125.00	M6	4	<b>043</b>	-
	85.00	M8	4	<b>044</b>	-
	80.00	M8	2	<b>051</b>	-
	80.00	Ø8.5	4	<b>058</b>	-
	100.00	M10	2	<b>062</b>	-
	82.00	M8	4	<b>168</b>	ISO3019-2-63-B4
	90.00	M8	4	<b>271</b>	-
<b>65</b>	90.00	M8	4	<b>073</b>	-
<b>70</b>	84.00	Ø7	4	<b>289</b>	-
<b>71.8</b>	88.90	M10	4	<b>047</b>	-
<b>75</b>	102.00	M10	4	<b>139</b>	-
<b>80</b>	100.00	M8	4	<b>024</b>	ISO3019-2-80-B4
	103.20	M8	2	<b>045</b>	ISO3019-2-80-B2
	100.00	Ø11	4	<b>059</b>	-
	100.00	M10	2	<b>061</b>	-
	110.00	M10	2	<b>063</b>	-
	140.00	M10	2	<b>064</b>	-
	115.00	M10	2	<b>065</b>	-
	100.00	M10	4	<b>067</b>	-
	106.40	M10	2	<b>083</b>	-
	130.00	M8	4	<b>087</b>	-
	100.00	Ø8.5	4	<b>093</b>	-
	113.00	M12	4	<b>104</b>	-
95.00	M8	4	<b>169</b>	-	
103.00	M8	4	<b>242</b>	-	
110.00	M10	4	<b>272</b>	-	
<b>82.55</b>	106.40	M10	2	<b>060</b>	SAE A 82-2
	105.00	M10	4	<b>097</b>	-
	106.40	M8	2	<b>254</b>	-
	146.00	M12	2	<b>260</b>	-
	110.00	M10	2	<b>284</b>	-
<b>85</b>	106.40	M10	2	<b>066</b>	-
<b>90</b>	112.00	M8	2	<b>134</b>	-
	105.00	M8	4	<b>156</b>	-
	118.00	Ø9	2	<b>163</b>	-
	112.00	Ø9	2	<b>164</b>	-
<b>92</b>	140.00	M8	4	<b>088</b>	-
	145.00	M10	4	<b>089</b>	-

"-": configuration out of ISO & SAE Standard



Spigot hole [mm]	PCD	Ø	Nr. holes	Code	Type
<b>95</b>	115.00	M8	4	<b>137</b>	-
	127.00	M10	4	<b>131</b>	-
<b>98.4</b>	125.00	Ø11	4	<b>128</b>	-
<b>100</b>	125.00	M10	2	<b>023</b>	ISO3019-2-100-B4
	125.00	M10	4	<b>025</b>	ISO3019-2-100-B2
	125.00	Ø11	4	<b>031</b>	-
	125.00	M5	4	<b>032</b>	-
	190.00	Ø15	4	<b>038</b>	-
	125.00	Ø13	4	<b>041</b>	-
	125.00	M12	2	<b>071</b>	-
	140.00	M12	2	<b>072</b>	-
	146.00	M12	2	<b>075</b>	-
	126.00	M10	2	<b>106</b>	-
	120.00	M8	4	<b>122</b>	-
	160.00	M10	4	<b>141</b>	-
150.00	M10	4	<b>150</b>	-	
<b>101.6</b>	161.50	M12	4	<b>029</b>	-
	146.00	M12	2	<b>070</b>	SAE B 101-2
	127.00	M12	4	<b>125</b>	-
	146.00	M10	2	<b>159</b>	-
<b>105</b>	127.00	M10	4	<b>224</b>	-
	146.00	M12	2	<b>076</b>	-
<b>110</b>	175.00	M10	4	<b>110</b>	-
	130.00	M8	4	<b>154</b>	-
	200.00	M10	4	<b>202</b>	-
	135.00	M10	4	<b>219</b>	-
	145.00	M12	4	<b>273</b>	-
<b>112</b>	140.00	M12	2	<b>074</b>	-
	140.00	M10	2	<b>138</b>	-
	130.00	M10	4	<b>264</b>	-
<b>115</b>	180.00	M12	4	<b>198</b>	-
<b>116</b>	160.00	M14	2	<b>084</b>	-
<b>120</b>	210.00	M16	2	<b>094</b>	-
	145.00	M10	4	<b>155</b>	-
	150.00	Ø13	4	<b>267</b>	-
<b>125</b>	160.00	M12	4	<b>026</b>	ISO3019-2-125-B4
	160.00	Ø13	4	<b>033</b>	-
	160.00	M12	2	<b>079</b>	-
	180.00	M16	2	<b>082</b>	ISO3019-2-125-B2
	155.00	M10	4	<b>102</b>	-
	160.00	Ø17	4	<b>113</b>	-
	200.00	M12	4	<b>114</b>	-
	181.20	M16	2	<b>136</b>	-
	200.00	M16	4	<b>200</b>	-
	180.00	Ø20	4	<b>215</b>	-
	170.00	Ø18	4	<b>237</b>	-
<b>127</b>	161.50	M12	4	<b>021</b>	-
	181.20	M16	2	<b>080</b>	SAE C 127-2
	161.50	M14	4	<b>140</b>	-
<b>130</b>	165.00	Ø11	4	<b>054</b>	-
	150.00	M12	4	<b>068</b>	-
	181.20	M16	2	<b>085</b>	-
	165.00	M12	4	<b>124</b>	-
	165.00	M14	4	<b>135</b>	-

"-": configuration out of ISO & SAE Standard

Spigot hole [mm]	PCD	Ø	Nr. holes	Code	Type	
<b>130</b>	165.00	M10	4	<b>253</b>	-	
<b>135</b>	160.00	M10	4	<b>151</b>	-	
	175.40	M12	4	<b>220</b>	-	
<b>140</b>	180.00	M14	4	<b>077</b>	ISO3019-2-140-B4	
	180.00	M12	2	<b>081</b>	-	
	165.00	M10	4	<b>157</b>	-	
	200.00	M16	4	<b>176</b>	ISO3019-2-140-B2	
	165.00	Ø11	4	<b>223</b>	-	
	180.00	M16	2	<b>232</b>	-	
<b>150</b>	185.00	M16	4	<b>069</b>	-	
<b>152.4</b>	228.60	M16	4	<b>022</b>	-	
	228.60	M18	2	<b>090</b>	-	
	228.60	M18	4	<b>108</b>	-	
	217.50	Ø17	4	<b>118</b>	-	
	228.60	M20	2	<b>166</b>	SAE D 152-2	
	228.60	M20	4	<b>192</b>	SAE D 152 -4	
	190.50	M8	4	<b>207</b>	-	
<b>160</b>	200.00	M16	4	<b>027</b>	ISO3019 - 2 -160 B4	
	200.00	Ø17	4	<b>035</b>	-	
	200.00	M16	2	<b>091</b>	-	
	224.00	M20	2	<b>092</b>	ISO3019 - 2 -160 B2	
	200.00	M12	2	<b>107</b>	-	
	230.00	M22	4	<b>111</b>	-	
	185.00	M12	4	<b>152</b>	-	
	224.00	M16	4	<b>184</b>	-	
230.00	Ø22	4	<b>228</b>	-		
<b>162</b>	188.00	M12	4	<b>263</b>	-	
<b>165.1</b>	317.35	M20	4	<b>143</b>	SAE E 165 - 4	
	317.35	M24	2	<b>145</b>	SAE E 165 - 2	
	229.00	M20	4	<b>201</b>	-	
<b>175</b>	317.35	M18	4	<b>204</b>	-	
	200.00	M12	4	<b>153</b>	-	
<b>177.8</b>	230.00	M18	2	<b>185</b>	-	
	350.00	M24	4	<b>146</b>	SAE F 177 - 4	
	216.00	M12	4	<b>222</b>	-	
<b>180</b>	350.00	M24	2	<b>203</b>	SAE F 177 - 2	
	216.00	Ø13	4	<b>055</b>	-	
	216.00	M16	4	<b>078</b>	-	
	224.00	M16	4	<b>112</b>	ISO3019 - 2 -180 B4	
	216.00	M12	4	<b>132</b>	-	
	215.00	M22	4	<b>148</b>	-	
	230.00	M22	4	<b>226</b>	-	
	<b>200</b>	250.00	M20	4	<b>028</b>	ISO3019 - 2 -200 B4
		250.00	Ø22	4	<b>095</b>	-
280.00		M24	2	<b>117</b>	-	
230.50		M12	4	<b>214</b>	-	
<b>203.2</b>	254.00	M14	4	<b>210</b>	-	
<b>205</b>	240.00	M16	4	<b>133</b>	-	
<b>224</b>	280.00	M20	4	<b>144</b>	ISO3019 - 2 -224 B4	
	280.00	Ø22	4	<b>205</b>	-	
<b>250</b>	310.00	M24	4	<b>238</b>	-	
	315.00	M20	4	<b>282</b>	ISO3019 - 2 -250 B4	
<b>275</b>	355.00	M16	4	<b>233</b>	-	
	355.00	Ø18	4	<b>281</b>	-	

"-": configuration out of ISO & SAE Standard



# LMG series

IEC electric motor range from size 63 up to size 225



## Technical data

### Bell-Housing - IEC electric motor range from size 63 up to size 225

#### Materials

- Bell-housing: Pressure die casting Aluminium
- Center ring: Galvanized Steel
- Gasket: Special paper - Guarnital

#### Compatibility with fluids

Modular bell-housing components compatible for use with:

- Mineral oils types HH-HL-HM-HR-HV, to ISO 6743/4 standard
- Water based emulsions types HFAE-HFAS, to ISO 6743/4 standard
- Water glycol type HFC, to ISO 6743/4 standard: ask for anodized version

#### Special Applications

Any applications not covered by the normal indications contained in this catalogue must be evaluated and approved by MP Filtri Technical and Sales Department

#### Temperature

From -30 °C to +80 °C

#### Note

For temperatures outside this range, contact MP Filtri Technical and Sales Department



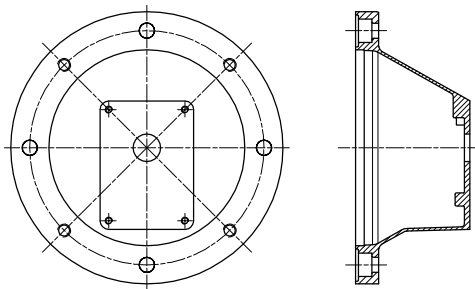
## IEC Electric motors

Bell-Housing size	European standard size						German standard size			IEC Motors size
	0.5	1	2	3	3.5	4	ZB	ZF	ZG	
LMG140	●	●	●				●			IEC 63 Ø140 - Ø11x23
LMG160	●	●	●				●			IEC 71 Ø160 - Ø14x30
LMG200	●	●	●	●			●	●		IEC 80 Ø200 - Ø19x40
LMG200	●	●	●	●			●	●		IEC 90 Ø200 - Ø24x50
LMG250		●	●	●	●		●	●		IEC 110 Ø250 - Ø28x60
LMG250		●	●	●	●		●	●		IEC 112 Ø250 - Ø28x60
LMG300		●	●	●	●	●	●	●	●	IEC 132 Ø300 - Ø38x80
LMG351			●	●	●	●	●	●	●	IEC 160 Ø350 - Ø42x110
LMG351			●	●	●	●	●	●	●	IEC 180 Ø350 - Ø48x110
LMG400			●	●	●	●	●	●	●	IEC 200 Ø400 - Ø55x110
LMG450			●	●	●	●	●	●	●	IEC 225 Ø450 - Ø60x140

**Note:** For specific information see pages 66 ÷ 68 "Table of Combination"

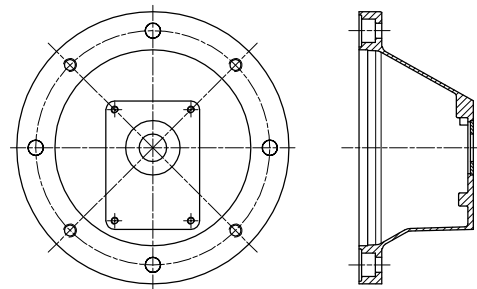
**LMG \*\*\* 4S**

Without centre ring allowing removal of half-coupling (which as a rule is keyed permanently to the pump shaft); motor mounting flange drilled with 4 clearance holes + 4 threaded holes. Used normally for vertically mounted motor and pump units with pump submerged in the oil tank.



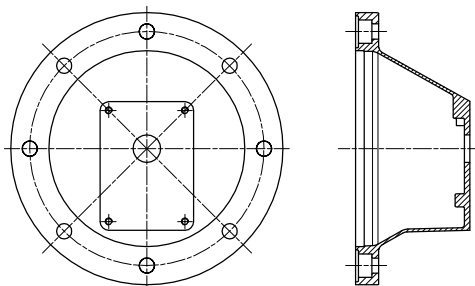
**LMG \*\*\* 4E**

With centre ring allowing removal of half-coupling (which as a rule is keyed permanently to the pump shaft), motor mounting flange drilled with 4 clearance holes + 4 threaded holes. Normally used for motor and pump units mounted horizontally on the tank lid or on the machine for maximum ease of maintenance. With this type of mounting, in effect, the hydraulic pump can be removed without removing the motor. The half-coupling mounted to the shaft passes through the spigot hole.



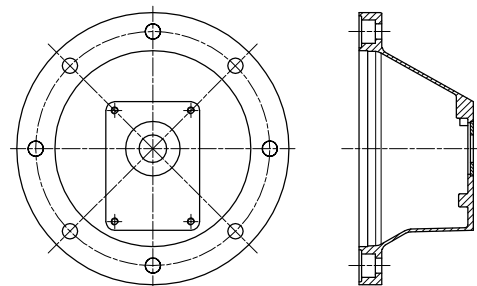
**LMG \*\*\* 8S**

Without centre ring allowing removal of half-coupling (which as a rule is keyed permanently to the pump shaft), motor mounting flange drilled with 8 clearance holes. Used normally for vertically mounted motor and pump units with pump submerged in the oil tank, allows greater flexibility for directional positioning of the hydraulic pump inside the tank, according to constructional requirements.



**LMG \*\*\* 8E**

With centre ring allowing removal of half-coupling (which as a rule is keyed permanently to the pump shaft), motor mounting flange drilled with 8 clearance holes. Normally used for motor and pump units mounted horizontally on the tank lid or on the machine, offers maximum ease of maintenance and enables directional positioning of the pump. With this type of mounting, in effect, the hydraulic pump can be removed without removing the motor. The half-coupling mounted to the shaft passes through the spigot hole.



## Designation & Ordering code

### COMPLETE KIT (BELL-HOUSING & COUPLINGS)

Motors identification code				Configuration example: AKA02 FS200 Z 4E			
Size		Size		Size			
<b>02</b>	63 B3-B5	<b>13</b>	180 B3-B5	<b>44</b>	71 B14		
<b>03</b>	71 B3-B5	<b>16</b>	200 B3-B5	<b>45</b>	80 B14		
<b>04</b>	80 B3-B5	<b>18</b>	225 B3-B5	<b>46</b>	90 B14		
<b>05</b>	90 B3-B5	<b>20</b>	250 B3-B5	<b>48</b>	100/112 B14		
<b>07</b>	100/112 B3-B5	<b>22</b>	280 B3-B5				
<b>11</b>	132 B3-B5	<b>26</b>	315 B3-B5				
<b>12</b>	160 B3-B5	<b>43</b>	63 B14				

**Pump flange identification code**  
FS200 See page 63

**Product revision code**  
Z

**Versions**

<b>4S</b>	4 through holes + 4 threaded holes, motor interface without coupling removal ring
<b>4E</b>	4 through holes + 4 threaded holes, motor interface with coupling removal ring
<b>8S</b>	8 through holes, motor interface without coupling removal ring
<b>8E</b>	8 through holes, motor interface with coupling removal ring

### BELL-HOUSING LMG

Bell-Housing series and size				Configuration example: LMG140 M FS200 4E DI				
<b>LMG140</b>	<b>LMG200</b>	<b>LMG300</b>	<b>LMG550</b>					
<b>LMG141</b>	<b>LMG201</b>	<b>LMG351</b>	<b>LMG660</b>					
<b>LMG160</b>	<b>LMG250</b>	<b>LMG400</b>						
<b>LMG161</b>	<b>LMG251</b>	<b>LMG450</b>						

**Product revision code**  
M

**Pump flange identification code**  
FS200 See page 63

**Versions**

<b>4S</b>	4 through holes + 4 threaded holes, motor interface without coupling removal ring
<b>4E</b>	4 through holes + 4 threaded holes, motor interface with coupling removal ring
<b>8S</b>	8 through holes, motor interface without coupling removal ring
<b>8E</b>	8 through holes, motor interface with coupling removal ring

**Options**

<b>DI</b>	Drain hole + inspection hole
<b>AN</b>	Black anodized finish
<b>SA</b>	Motor interface with clearance holes
<b>Pxx</b>	Customer specification

### COUPLING KIT

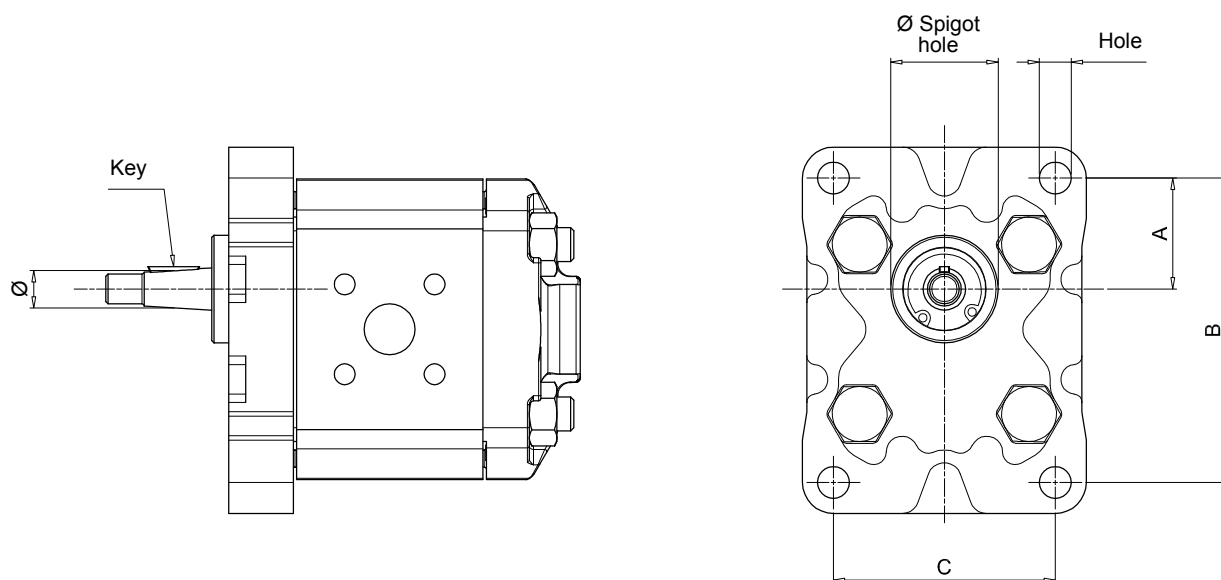
Motors identification code		Configuration example: AKG02 FS200 Z		
Size	Size			
<b>02</b>	63 B3-B5	<b>13</b>	180 B3-B5	
<b>03</b>	71 B3-B5	<b>43</b>	63 B14	
<b>04</b>	80 B3-B5	<b>44</b>	71 B14	
<b>05</b>	90 B3-B5	<b>45</b>	80 B14	
<b>07</b>	100/112 B3-B5	<b>46</b>	90 B14	
<b>11</b>	132 B3-B5	<b>48</b>	100/112 B14	
<b>12</b>	160 B3-B5			

**Pumps flange identification code**  
FS200 See page 63

**Product revision code**  
Z

**Note:**

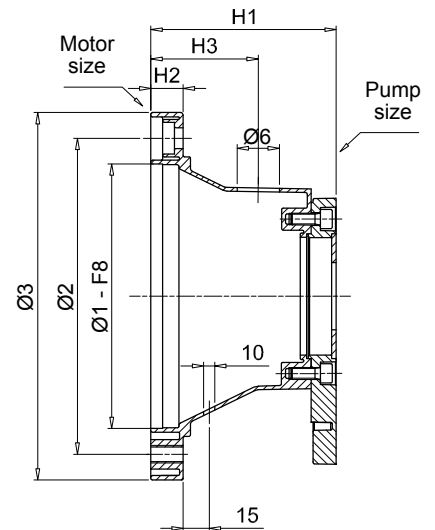
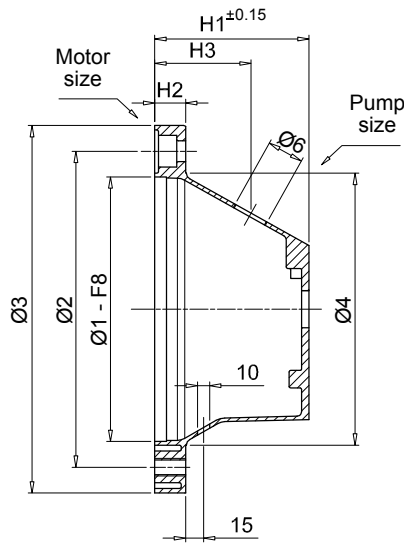
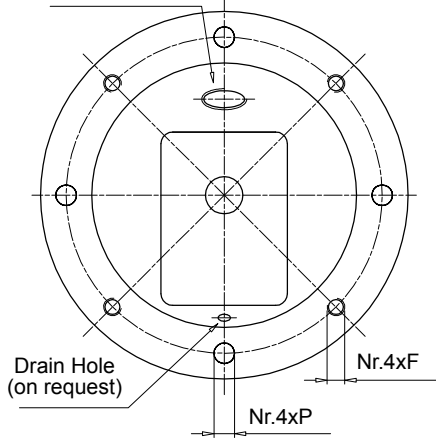
- Bell-Housings with DI options are supplied complete with threaded closure plug.
- Bell-Housing with 4E/8E version are supplied with center ring mounted.
- For product range codes see pages 66 ÷ 68



### Designation of pump flange and shaft

Pump group	Ø Spigot hole	Dimensions				Pump flange code	Ø	Key	Shaft type	Pump half-coupling code
		A	B	C	Hole					
<b>05</b>	22.0	25.5	66.0	-	M6	<b>FS05M</b>	6.0	2.0	parallel	<b>FS05M</b>
	22.0	25.5	66.0	-	M6	<b>FS05C</b>	7.0	2.0	parallel	<b>FS05C</b>
<b>1</b>	25.4	26.2	72.0	52.0	M6	<b>FS100</b>	9.7	2.4	tapered 1:8	<b>FS100</b>
	30.0	24.5	73.0	56.0	M6	<b>FS1M0</b>	12.0	3.0	parallel	<b>FS1C0</b>
	30.0	24.5	73.0	56.0	M6	<b>FS1M0</b>	13.9	3.0	tapered 1:8	<b>FS1M0</b>
<b>2</b>	36.5	32.5	96.0	71.5	M8	<b>FS200</b>	17.2	3.2 - 4	tapered 1:8	<b>FS200</b>
	50.8	43.0	128.0	98.5	M8	<b>FS25T</b>	22.2	4.0	tapered 1:8	<b>FS300</b>
<b>3</b>	50.8	42.0	128.0	98.5	M10	<b>FS300</b>	22.2	4.0	tapered 1:8	<b>FS300</b>
	50.8	43.0	128.0	98.5	M10	<b>FS3M0</b>	22.2	4.0	tapered 1:8	<b>FS300</b>
	50.8	45.0	137.0	98.5	M10	<b>FS3T0</b>	22.2	4.0	tapered 1:8	<b>FS300</b>
	60.0	48.5	148.0	127.0	M12	<b>FS35M</b>	25.6	4.76 - 5.0	tapered 1:8	<b>FS350</b>
<b>3.5</b>	60.3	49.5	149.5	114.3	M10	<b>FS350</b>	25.6	4.76 - 5.0	tapered 1:8	<b>FS350</b>
	63.5	65.0	196.0	142.8	M12	<b>FS4M0</b>	33.3	6.35 - 7.0	tapered 1:8	<b>FS400</b>
<b>4</b>	63.5	64.3	188.0	143.0	M12	<b>FS400</b>	33.3	6.35 - 7.0	tapered 1:8	<b>FS400</b>
	32.0	10.3	40.0	40.0	M8	<b>FSZBR</b>	9.8	2.0	tapered 1:5	<b>FSZBR</b>
<b>Bosch</b>	80.0	34.5	100.0	72.0	M8	<b>FSZFR</b>	16.9	3.0	tapered 1:5	<b>FSZFR</b>
	105.0	48.0	145.0	102.0	M10	<b>FSZGR</b>	25.2	5.0	tapered 1:5	<b>FSZGR</b>

Inspection Hole  
Plastic threaded plug mounted  
(protection according  
to DIN EN 292 part 2)  
"Safety of machines"

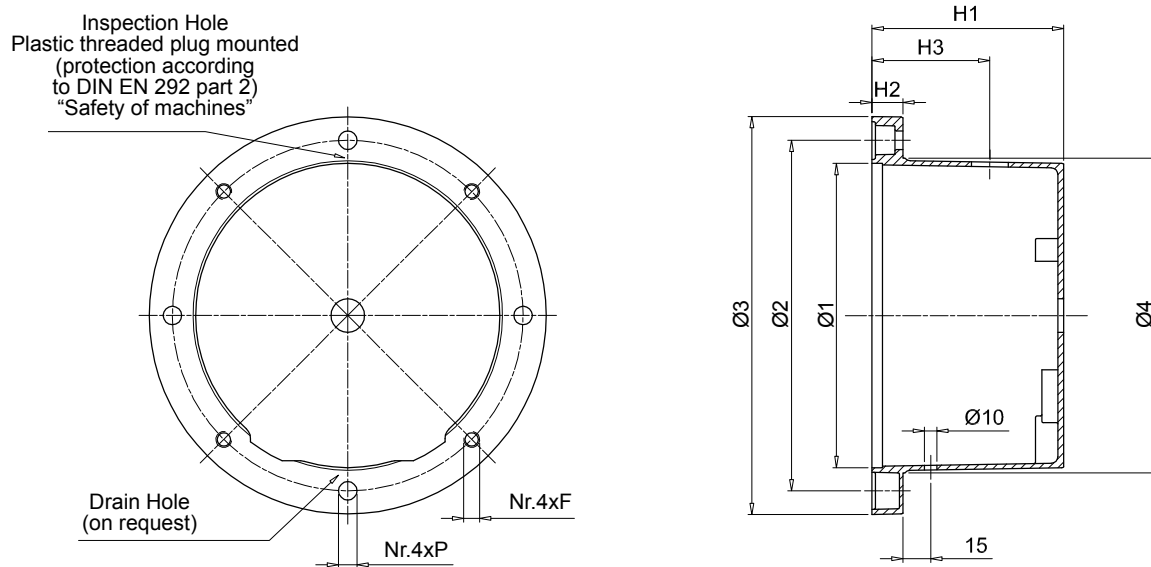


(\*) Shape valid for LMG 251

### Bell-housing

IEC - Electric motors		Bell-housing code	Dimensions [mm]								On request		Weight [kg]
Motor size	Shaft end [Ø x L]		Ø1	Ø1	Ø3	Ø4	H1	H2	F	P	H3	Ø6	
63 - B14	11x23	<b>LMG090</b>	60	75	90	63	60	7	-	6	40	1/2"	0.30
71 - B14	14x30	<b>LMG105</b>	70	85	105	74	67	8	-	7	40	1/2"	0.35
80 - B14	19x40	<b>LMG120</b>	80	100	120	84	87	9	-	7	45	1/2"	0.40
63 - B3/B5	11x23	<b>LMG140</b>	95	115	140	100	60	13	M8	9	40	1/2"	0.35
63 - B3/B5	11x23	<b>LMG141</b>	95	115	140	100	95	13	M8	9	50	1/2"	0.40
71 - B3/B5	14x30	<b>LMG160</b>	110	130	160	110	70	15	M8	9	40	1/2"	0.44
71 - B3/B5	14x30	<b>LMG161</b>	110	130	160	110	105	15	M8	9	50	1/2"	0.50
80 - B3/B5	19x40	<b>LMG200</b>	130	165	200	135	87	18	M10	11	45	3/4"	0.68
90 - B3/B5	24x50	<b>LMG201</b>	130	165	200	135	95	18	M10	11	50	3/4"	0.80
100-112 - B3/B5	28x60	<b>LMG250</b>	180	215	250	185	105	22	M12	14	70	3/4"	1.16
100-112 - B3/B5	28x60	<b>LMG251 (*)</b>	180	215	250	185	126	22	M12	14	70	3/4"	1.80





### Bell-housing

IEC - Electric motors		Bell-housing code	Dimensions [mm]								On request		Weight [kg]
Motor size	Shaft end [Ø x L]		Ø1	Ø2	Ø3	Ø4	H1	H2	F	P	H3	Ø6	
132	38x80	<b>LMG300</b>	230	265	300	235	145	23	M12	14	80	1"	2.55
160	42x110	<b>LMG351</b>	250	300	350	255	178	31	M16	18	100	1"	4.90
180	48x110	<b>LMG351</b>	250	300	350	255	178	31	M16	18	100	1"	4.90

## IEC Motors B3/5 - standard gear pump

IEC - Electric motors Motor size	Shaft end [Ø x L]	Pump identification code	Components					
			Bell-Housing code	Motor half-coupling code	Spider code	Pump half-coupling code	Complete kit code	Complete coupling kit code
63	11x23	<b>FS05M</b>	LMG140MFS05M4S	SGEA01M01019FG	EGE 0	SGEA01FS05M	AKA02FS05MZ4S	AKG02FS05MZ
		<b>FS05C</b>	LMG140MFS05M4S			SGEA01FS05C	AKA02FS05CZ4S	AKG02FS05CZ
		<b>FS100</b>	LMG140MFS1004S/4E			SGEA01FS100	AKA02FS100Z4S/4E	AKG02FS100Z
		<b>FS1C0</b>	LMG140MFS1M04S/4E			SGEA01FS1C0	AKA02FS1C0Z4S/4E	AKG02FS1C0Z
		<b>FS1M0</b>	LMG140MFS1M04S/4E			SGEA01FS1M0	AKA02FS1M0Z4S/4E	AKG02FS1M0Z
		<b>FSZBR</b>	LMG140MFSZBR4S			SGEA01FSZBR	AKA02FSZBRZ4S	AKG02FSZBRZ
71	14x30	<b>FS05M</b>	LMG160MFS05M4S	SGEA01M02028FG	EGE 0	SGEA01FS05M	AKA03FS05MZ4S	AKG03FS05MZ
		<b>FS05C</b>	LMG160MFS05M4S			SGEA01FS05C	AKA03FS05CZ4S	AKG03FS05CZ
		<b>FS100</b>	LMG160MFS1004S/4E			SGEA01FS100	AKA03FS100Z4S/4E	AKG03FS100Z
		<b>FS1C0</b>	LMG160MFS1M04S/4E			SGEA01FS1C0	AKA03FS1C0Z4S/4E	AKG03FS1C0Z
		<b>FS1M0</b>	LMG160MFS1M04S/4E			SGEA01FS1M0	AKA03FS1M0Z4S/4E	AKG03FS1M0Z
		<b>FSZBR</b>	LMG160MFSZBR4S			SGEA01FSZBR	AKA03FSZBRZ4S	AKG03FSZBRZ
80	19x40	<b>FS05M</b>	LMG200MFS05M4S	SGEA01M03048FG	EGE 0	SGEA01FS05M	AKA04FS05MZ4S	AKG04FS05MZ
		<b>FS05C</b>	LMG200MFS05M4S			SGEA01FS05C	AKA04FS05CZ4S	AKG04FS05CZ
		<b>FS100</b>	LMG200MFS1004S/4E			SGEA01FS100	AKA04FS100Z4S/4E	AKG04FS100Z
		<b>FS1C0</b>	LMG200MFS1M04S/4E			SGEA01FS1C0	AKA04FS1C0Z4S/4E	AKG04FS1C0Z
		<b>FS1M0</b>	LMG200MFS1M04S/4E			SGEA01FS1M0	AKA04FS1M0Z4S/4E	AKG04FS1M0Z
		<b>FSZBR</b>	LMG200MFSZBR4S			SGEA01FSZBR	AKA04FSZBRZ4S	AKG04FSZBRZ
		<b>FS200</b>	LMG201MFS2004S/4E	SGEA21M03048FG	SGEA21FS200	AKA04FS200Z4S/4E	AKG04FS200Z	
		<b>FSZFR</b>	LMG201MFSZFR4S	SGEA21M03048FG	SGEA21FSZFR	AKA04FSZFRZ4S	AKG04FSZFRZ	
90	24x50	<b>FS05M</b>	LMG200MFS05M4S	SGEA01M04048FG	EGE 0	SGEA01FS05M	AKA05FS05MZ4S	AKG05FS05MZ
		<b>FS05C</b>	LMG200MFS05M4S			SGEA01FS05C	AKA05FS05CZ4S	AKG05FS05CZ
		<b>FS100</b>	LMG200MFS1004S/4E			SGEA01FS100	AKA05FS100Z4S/4E	AKG05FS100Z
		<b>FS1C0</b>	LMG200MFS1M04S/4E			SGEA01FS1C0	AKA05FS1C0Z4S/4E	AKG05FS1C0Z
		<b>FS1M0</b>	LMG200MFS1M04S/4E			SGEA01FS1M0	AKA05FS1M0Z4S/4E	AKG05FS1M0Z
		<b>FSZBR</b>	LMG200MFSZBR4S			SGEA01FSZBR	AKA05FSZBRZ4S	AKG05FSZBRZ
		<b>FS200</b>	LMG201MFS2004S/4E	SGEA21M04048FG	SGEA21FS200	AKA05FS200Z4S/4E	AKG05FS200Z	
		<b>FSZFR</b>	LMG201MFSZFR4S	SGEA21M04048FG	SGEA21FSZFR	AKA05FSZFRZ4S	AKG05FSZFRZ	
100 112	28x60	<b>FS100</b>	LMG250MFS1004S	SGEA21M05055FG	EGE 2	SGEA21FS100	AKA07FS100Z4S	AKG07FS100Z
		<b>FS1C0</b>	LMG250MFS1M04S			SGEA21FS1C0	AKA07FS1C0Z4S	AKG07FS1C0Z
		<b>FS1M0</b>	LMG250MFS1M04S			SGEA21FS1M0	AKA07FS1M0Z4S	AKG07FS1M0Z
		<b>FSZBR</b>	LMG250MFSZBR4S			SGEA21FSZBR	AKA07FSZBRZ4S	AKG07FSZBRZ
		<b>FS200</b>	LMG250MFS2004S/4E			SGEA21FS200	AKA07FS200Z4S/4E	AKG07FS200Z
		<b>FSZFR</b>	LMG250MFSZFR4S			SGEA21FSZFR	AKA07FSZFRZ4S	AKG07FSZFRZ
		<b>FS25T</b>	LMG251MFS25T4E			SGEA21FS300	AKA07FS25TZ4E	AKG07FS300Z
		<b>FS300</b>	LMG251MFS3004E			SGEA21FS300	AKA07FS300Z4E	AKG07FS300Z
		<b>FS3M0</b>	LMG251MFS3M04E			SGEA21FS300	AKA07FS3M0Z4E	AKG07FS300Z
<b>FS3T0</b>	LMG251MFS3T04E	SGEA21FS300	AKA07FS3T0Z4E	AKG07FS300Z				
132	38x80	<b>FS100</b>	LMG300MFS1004S	SGEA31M06077FG	EGE 3	SGEA31FS100	AKA11FS100Z4S	AKG11FS100Z
		<b>FS1C0</b>	LMG300MFS1M04S			SGEA31FS1C0	AKA11FS1C0Z4S	AKG11FS1C0Z
		<b>FS1M0</b>	LMG300MFS1M04S			SGEA31FS1M0	AKA11FS1M0Z4S	AKG11FS1M0Z
		<b>FSZGR</b>	LMG300MFSZGR4S			SGEA31FSZGR	AKA11FSZGRZ4S	AKG11FSZGRZ
		<b>FS200</b>	LMG300MFS2004S/4E			SGEA31FS200	AKA11FS200Z4S/4E	AKG11FS200Z
		<b>FSZFR</b>	LMG300MFSZFR4S			SGEA31FSZFR	AKA11FSZFRZ4S	AKG11FSZFRZ
		<b>FS25T</b>	LMG300MFS25T4S/4E			SGEA31FS300	AKA11FS25TZ4S/4E	AKG11FS300Z
		<b>FS300</b>	LMG300MFS3004S/4E			SGEA31FS300	AKA11FS300Z4S/4E	AKG11FS300Z
		<b>FS3M0</b>	LMG300MFS3M04S/4E			SGEA31FS300	AKA11FS3M0Z4S/4E	AKG11FS300Z
		<b>FS3T0</b>	LMG300MFS3T04S/4E			SGEA31FS300	AKA11FS3T0Z4S/4E	AKG11FS300Z
		<b>FS35M</b>	LMG300MFS35M4S/4E			SGEA31FS350	AKA11FS35MZ4S/4E	AKG11FS350Z
<b>FS350</b>	LMG300MFS3504S/4E	SGEA31FS350	AKA11FS350Z4S/4E	AKG11FS350Z				

### Note:

- For bell-housing dimensions see pages 64-65.
- For coupling dimensions see "Half-couplings" section on pages 26-27.

## IEC Motors B3/5 - standard gear pump

IEC - Electric motors		Pump identification code	Components					
Motor size	Shaft end [Ø x L]		Bell-Housing code	Motor half-coupling code	Spider code	Pump half-coupling code	Complete kit code	Complete coupling kit code
160	42x110	<b>FSZGR</b>	LMG351MFSZGR4S	SGEA51M07109FG	EGE 5	SGEA51FSZGR	AKA12FSZGRZ4S	AKG12FSZGRZ
		<b>FS200</b>	LMG351MFS2004S			SGEA51FS200	AKA12FS200Z4S	AKG12FS200Z
		<b>FSZFR</b>	LMG351MFSZFR4S			SGEA51FSZFR	AKA12FSZFRZ4S	AKG12FSZFRZ
		<b>FS25T</b>	LMG351MFS25T4S/4E			SGEA51FS300	AKA12FS25TZ4S/4E	AKG12FS300Z
		<b>FS300</b>	LMG351MFS3004S/4E			SGEA51FS300	AKA12FS300Z4S/4E	AKG12FS300Z
		<b>FS3M0</b>	LMG351MFS3M04S/4E			SGEA51FS300	AKA12FS3M0Z4S/4E	AKG12FS300Z
		<b>FS3T0</b>	LMG351MFS3T04S/4E			SGEA51FS300	AKA12FS3T0Z4S/4E	AKG12FS300Z
		<b>FS35M</b>	LMG351MFS35M4S/4E			SGEA51FS350	AKA12FS35MZ4S/4E	AKG12FS350Z
		<b>FS350</b>	LMG351MFS3504S/4E			SGEA51FS350	AKA12FS350Z4S/4E	AKG12FS350Z
180	48x110	<b>FSZGR</b>	LMG351MFSZGR4S	SGEA51M08109FG	EGE 5	SGEA51FSZGR	AKA13FSZGRZ4S	AKG13FSZGRZ
		<b>FS200</b>	LMG351MFS2004S			SGEA51FS200	AKA13FS200Z4S	AKG13FS200Z
		<b>FSZFR</b>	LMG351MFSZFR4S			SGEA51FSZFR	AKA13FSZFRZ4S	AKG13FSZFRZ
		<b>FS25T</b>	LMG351MFS25T4S/4E			SGEA51FS300	AKA13FS25TZ4S/4E	AKG13FS300Z
		<b>FS300</b>	LMG351MFS3004S/4E			SGEA51FS300	AKA13FS300Z4S/4E	AKG13FS300Z
		<b>FS3M0</b>	LMG351MFS3M04S/4E			SGEA51FS300	AKA13FS3M0Z4S/4E	AKG13FS300Z
		<b>FS3T0</b>	LMG351MFS3T04S/4E			SGEA51FS300	AKA13FS3T0Z4S/4E	AKG13FS300Z
		<b>FS35M</b>	LMG351MFS35M4S/4E			SGEA51FS350	AKA13FS35MZ4S/4E	AKG13FS350Z
		<b>FS350</b>	LMG351MFS3504S/4E			SGEA51FS350	AKA13FS350Z4S/4E	AKG13FS350Z
200	55x110	<b>FS200</b>	LMG400MFS2004E	SGEA51M09109FG	EGE 5	SGEA51FS200	AKA16FS200Z4S	AKG16FS200Z
		<b>FS300</b>	LMG400MFS3004E			SGEA51FS300	AKA16FS300Z4E	AKG16FS300Z
		<b>FS3M0</b>	LMG400MFS3M04E			SGEA51FS300	AKA16FS3M0Z4E	AKG16FS300Z
		<b>FS35M</b>	LMG400MFS35M4E			SGEA51FS350	AKA16FS35MZ4E	AKG16FS350Z
		<b>FS350</b>	LMG400MFS3504E			SGEA51FS350	AKA16FS350Z4E	AKG16FS350Z
		<b>FSZFR</b>	LMG400MFSZFR4S			SGEA51FSZFR	AKA16FSZFRZ4E	AKG16FSZFRZ
		<b>FSZGR</b>	LMG400MFSZGR4S			SGEA51FSZGR	AKA16FSZGRZ4E	AKG16FSZGRZ
225	60x140	<b>FS300</b>	LMG450MFS3004E	SGEG60M10110	EGE 6	SGEG60FS300	AKA18FS300Z4E	AKG18FS300Z
		<b>FS3M0</b>	LMG450MFS3M04E			SGEG60FS300	AKA18FS3M0Z4E	AKG18FS300Z
		<b>FS35M</b>	LMG450MFS35M4E			SGEG60FS350	AKA18FS35MZ4E	AKG18FS350Z
		<b>FS350</b>	LMG450MFS3504E			SGEG60FS350	AKA18FS350Z4E	AKG18FS350Z
		<b>FSZGR</b>	LMG450MFSZGR4S			SGEG60FSZGR	AKA18FSZGRZ4E	AKG18FSZGRZ
250	65x140	<b>FS300</b>	LMG550MFS3004E	SGEG60M11140	EGE 6	SGEG60FS300	AKA20FS300Z4E	AKG20FS300Z
		<b>FS3M0</b>	LMG550MFS3M04E			SGEG60FS300	AKA20FS3M0Z4E	AKG20FS300Z
		<b>FS35M</b>	LMG550MFS35M4E			SGEG60FS350	AKA20FS35MZ4E	AKG20FS350Z
		<b>FS350</b>	LMG550MFS3504E			SGEG60FS350	AKA20FS350Z4E	AKG20FS350Z
		<b>FSZGR</b>	LMG550MFSZGR4S			SGEG60FSZGR	AKA20FSZGRZ4E	AKG20FSZGRZ
280	75x140	<b>FS300</b>	LMG550MFS3004E	SGEG80M12140	EGE 8	SGEG80FS300	AKA22FS300Z4E	AKG22FS300Z
		<b>FS3M0</b>	LMG550MFS3M04E			SGEG80FS300	AKA22FS3M0Z4E	AKG22FS300Z
		<b>FS35M</b>	LMG550MFS35M4E			SGEG80FS350	AKA22FS35MZ4E	AKG22FS350Z
		<b>FS350</b>	LMG550MFS3504E			SGEG80FS350	AKA22FS350Z4E	AKG22FS350Z
		<b>FSZGR</b>	LMG550MFSZGR4S			SGEG80FSZGR	AKA22FSZGRZ4E	AKG22FSZGRZ
315	80x170	<b>FS300</b>	LMG660MFS3004E	SGEG80M13170	EGE 8	SGEG80FS300	AKA26FS300Z4E	AKG26FS300Z
		<b>FS3M0</b>	LMG660MFS3M04E			SGEG80FS300	AKA26FS3M0Z4E	AKG26FS300Z
		<b>FS35M</b>	LMG660MFS35M4E			SGEG80FS350	AKA26FS35MZ4E	AKG26FS350Z
		<b>FS350</b>	LMG660MFS3504E			SGEG80FS350	AKA26FS350Z4E	AKG26FS350Z
		<b>FSZGR</b>	LMG660MFSZGR4S			SGEG80FSZGR	AKA26FSZGRZ4E	AKG26FSZGRZ

**Note:**

- For bell-housing dimensions see pages 64-65.
- For coupling dimensions see "Half-couplings" section on pages 26-27.

## IEC Electric motors B14 mounting

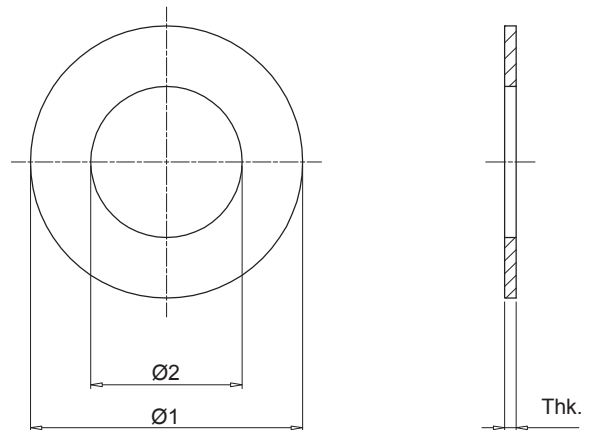
IEC - Electric motors		Pump identification code	Components					
Motor size	Shaft end [Ø x L]		Bell-Housing code	Motor half-coupling code	Spider code	Pump half-coupling code	Complete kit code	Complete coupling kit code
63	11x23	<b>FS05M</b>	LMG090MFS05M4E	SGEA01M01019FG	EGE0	SGEA00FS05M	AKA43FS05MZ4E	AKG43FS05MZ
		<b>FS05C</b>	LMG090MFS05M4E			SGEA01FS05C	AKA43FS05CZ4E	AKG43FS05CZ
		<b>FS100</b>	LMG090MFS1004E			SGEA01FS100	AKA43FS100Z4E	AKG43FS100Z
		<b>FS1C0</b>	LMG090MFS1M04E			SGEA01FS1C0	AKA43FS1C0Z4E	AKG43FS1C0Z
		<b>FS1M0</b>	LMG090MFS1M04E			SGEA01FS1M0	AKA43FS1M0Z4E	AKG43FS1M0Z
		<b>FSZBR</b>	LMG090MFSZBR4E			SGEA01FSZBR	AKA43FSZBRZ4E	AKG43FSZBRZ
71	14x30	<b>FS05M</b>	LMG105MFS05M4E	SGEA01M02028FG	EGE 0	SGEA01FS05M	AKA44FS05MZ4E	AKG44FS05MZ
		<b>FS05C</b>	LMG105MFS05M4E			SGEA01FS05C	AKA44FS05CZ4E	AKG44FS05CZ
		<b>FS100</b>	LMG105MFS1004E			SGEA01FS100	AKA44FS100Z4E	AKG44FS100Z
		<b>FS1C0</b>	LMG105MFS1C04E			SGEA01FS1C0	AKA44FS1C0Z4E	AKG44FS1C0Z
		<b>FS1M0</b>	LMG105MFS1M04E			SGEA01FS1M0	AKA44FS1M0Z4E	AKG44FS1M0Z
		<b>FSZBR</b>	LMG105MFSZBR4E			SGEA01FSZBR	AKA44FSZBRZ4E	AKG44FSZBRZ
80	19x40	<b>FS05M</b>	LMG120MFS05M4E	SGEA01M03048FG	EGE 0	SGEA01FS05M	AKA45FS05MZ4E	AKG45FS05MZ
		<b>FS05C</b>	LMG120MFS05M4E			SGEA01FS05C	AKA45FS05CZ4E	AKG45FS05CZ
		<b>FS100</b>	LMG120MFS1004E			SGEA01FS100	AKA45FS100Z4E	AKG45FS100Z
		<b>FS1C0</b>	LMG120MFS1M04E			SGEA01FS1C0	AKA45FS1C0Z4E	AKG45FS1C0Z
		<b>FS1M0</b>	LMG120MFS1M04E			SGEA01FS1M0	AKA45FS1M0Z4E	AKG45FS1M0Z
		<b>FSZBR</b>	LMG120MFSZBR4S			SGEA01FSZBR	AKA45FSZBRZ4E	AKG45FSZBRZ
		<b>FS200</b>	LMG121MFS2004E	SGEA21M03048FG	EGE 2	SGEA21FS200	AKA45FS200Z4E	AKG45FS200Z
		<b>FSZFR</b>	LMG121MFSZFR4S	SGEA21FSZFR	AKA45FSZFRZ4S	AKG45FSZFRZ		
90	24x50	<b>FS05M</b>	LMG141MFS05M4S	SGEA01M04048FG	EGE 0	SGEA01FS05M	AKA46FS05MZ4E	AKG46FS05MZ
		<b>FS05C</b>	LMG141MFS05M4S			SGEA01FS05C	AKA46FS05CZ4E	AKG46FS05CZ
		<b>FS100</b>	LMG141MFS1004S/4E			SGEA01FS100	AKA46FS100Z4E	AKG46FS100Z
		<b>FS1C0</b>	LMG141MFS1M04S/4E			SGEA01FS1C0	AKA46FS1C0Z4E	AKG46FS1C0Z
		<b>FS1M0</b>	LMG141MFS1M04S/4E			SGEA01FS1M0	AKA46FS1M0Z4E	AKG46FS1M0Z
		<b>FSZBR</b>	LMG141MFSZBR4S			SGEA01FSZBR	AKA46FSZBRZ4E	AKG46FSZBRZ
		<b>FS200</b>	LMG141MFS2004S/4E	SGEA21M04048FG	EGE 2	SGEA21FS200	AKA46FS200Z4E	AKG46FS200Z
		<b>FSZFR</b>	LMG141MFSZFR4S	SGEA21FSZFR	AKA46FSZFRZ4S	AKG46FSZFRZ		
100 112	28x60	<b>FS05M</b>	LMG161MFS05M4S	SGEA21M05055FG	EGE 2	SGEA21FS05M	AKA48FS05MZ4E	AKG48FS05MZ
		<b>FS05C</b>	LMG161MFS05M4S			SGEA21FS05C	AKA48FS05CZ4E	AKG48FS05CZ
		<b>FS100</b>	LMG161MFS1004S			SGEA21FS100	AKA48FS100Z4E	AKG48FS100Z
		<b>FS1C0</b>	LMG161MFS1M04S			SGEA21FS1C0	AKA48FS1C0Z4E	AKG48FS1C0Z
		<b>FS1M0</b>	LMG161MFS1M04S			SGEA21FS1M0	AKA48FS1M0Z4E	AKG48FS1M0Z
		<b>FSZBR</b>	LMG161MFSZBR4S			SGEA21FSZBR	AKA48FSZBRZ4E	AKG48FSZBRZ
		<b>FS200</b>	LMG161MFS2004S/4E			SGEA21FS200	AKA48FS200Z4E	AKG48FS200Z
		<b>FSZFR</b>	LMG161MFSZFR4S			SGEA21FSZFR	AKA48FSZFRZ4S	AKG48FSZFRZ

### Note:

- For bell-housing dimensions see pages 64-65.
- For coupling dimensions see "Half-couplings" section on pages 26-27.

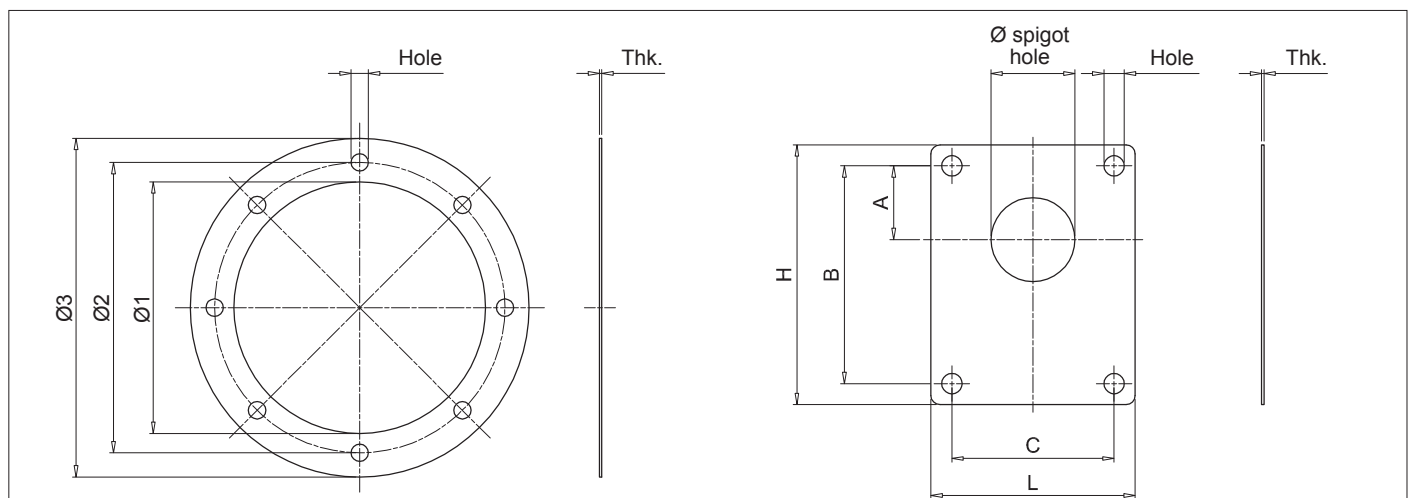
CENTER RING

Center ring code	Dimensions [mm]		
	Ø1	Ø2	Thk.
ANC01FS100	50	25.4	1.0
ANC01FS1M0	50	30.0	1.0
ANC02FS200	72	36.5	2.0
ANC03FS200	88	36.5	2.0
ANC03FS300	88	50.8	2.5
ANC03FS350	88	60.3	2.5
ANC04FS300	115	50.8	3.5
ANC04FS350	115	60.3	3.5
ANCA001	42	22.0	1.0
ANCD005	85	50.8	2.5



Center ring code	Bell-Housing size										
	LMG090	LMG105	LMG120	LMG140	LMG160	LMG200	LMG250	LMG300	LMG351	LMG400	LMG450
ANC01FS100	●	●	●	●	●						
ANC01FSM0	●	●	●	●	●						
ANC02FS200			●	●	●	●	●				
ANC03FS200								●	●		
ANC03FS300								●			
ANC03FS350								●			
ANC04FS200										●	●
ANC04FS300									●	●	●
ANC04FS350									●	●	●
ANCA001	●	●	●	●	●		●				
ANCD005						●	●	●	●		

GASKET



Motor side gasket

Bell-housing size	Seals code	Dimensions [mm]				
		Ø1	Ø2	Ø3	Thk.	Hole
LMG 120	GUM P 120	84	100	120	1	7
LMG 140	GUM P 140	96	115	140	1	9
LMG 160	GUM P 160	110	130	160	1	9
LMG 200	GUM P 200	145	165	200	1	11
LMG 250	GUM P 250	190	215	250	1	14
LMG 300	GUM P 300	234	265	300	1	14
LMG 350	GUM P 350	260	300	350	1	18

Pump side gasket

Pump identification code	Seals code	Dimensions [mm]							
		Ø	A	B	C	H	L	Thk.	Hole
FS05M	GUP P001	22.0	25.6	66	-	80	48	1	6.5
FS100	GUP P002	25.4	26.6	72	52.4	87	67	1	6.5
FS1M0	GUP P003	30.0	24.5	73	56.0	85	68	1	6.5
FS200	GUP P004	36.5	32.5	96	71.5	112	88	1	8.5
FS300	GUP P005	50.8	43.0	128	98.5	148	118	1	10.5
FSZBR	GUP P013	32.0	10.35	40	40.0	75	62	1	8.5
FSZFR	GUP P014	80.0	34.5	100	72.0	118	90	1	9.0