

TAP 114 series

Filler plug and polyamide air filter up to 1600 l/min



TAP 114 GENERAL INFORMATION

Technical data

Air breathers & Filler plugs

Filler plug and polyamide air filters Flow rates up to 1600 l/min

TAP114 is a range of plastic large air breathers and filler caps for protection of the tank against the solid contamination contained into the air and filling of the fluid into the systems during the commissioning and maintenance procedures.

They are directly fitted on the tank.

Available features:

- Flanged connection, for a maximum flow rate of 1600 l/min
- Replaceable filter element
- Fine cellulose filtration, to get a good cleanliness level into the reservoir
- Polyester media is an option for heavy environmental conditions (high humidity, sand ...)
- Filling basket, to hold the coarse contamination contained into the fluid and to diffuse the fluid flow into the tank

Common applications:

- Hydraulic systems
- Mobile machines
- Industrial equipment

Flow rate Δp 0.02 bar

	Flow rate [l/min]
	Filtration rating L10
TAP114 length 1	1450
TAP114 length 3	1600

Materials

- Cover: Polyamide
- Filter element: Resin impregnated paper
- Flange: Polyamide
- Seals: NBR
- Screws: Galvanized steel
- Basket: Polyamide

Temperature

From -25 °C to +100 °C

Weight

TAP 114 length 1	0.185 kg
TAP 114 length 3	0.200 kg



Designation & Ordering code

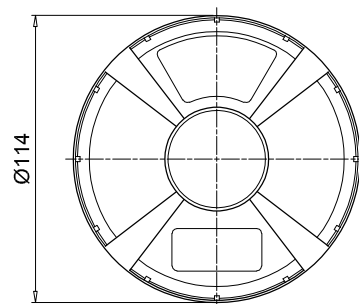
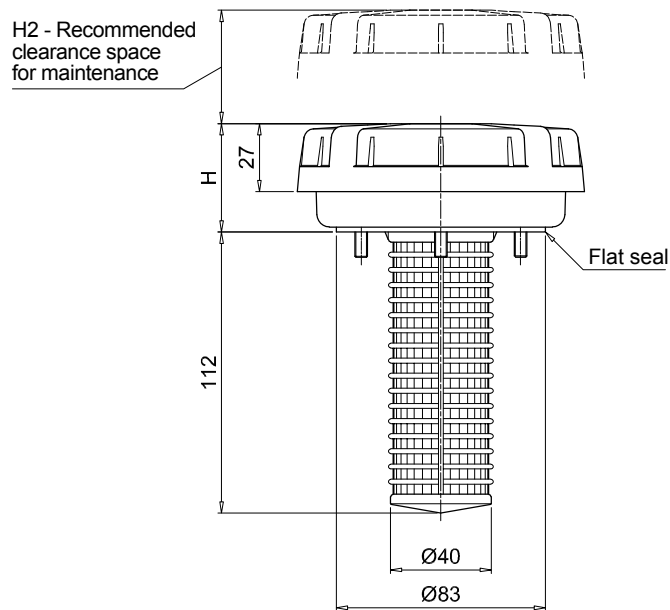
COMPLETE FILLER PLUG / COMPLETE AIR FILTER

Series TAP114	Configuration example : TAP114	1	L10	A	1	P01
Length 1 3						
Filtration rating L10 Resin impregnated paper 10 µm						
Seals A NBR						
Version 1 With basket						
					Execution P01 MP Filtri standard Pxx Customized	

FILTER ELEMENT

Filter element series A114	Configuration example : A114	1	L10	P01
Length 1 3				
Filtration rating L10 Resin impregnated paper 10 µm				
				Execution P01 MP Filtri standard Pxx Customized

TAP114		
Length	H [mm]	H2 [mm]
1	43	30
3	70	60



Holes on the tank

