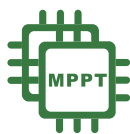


Features

- Lithium battery activation function by PV or Utility
- Compatible work with lifepo4 battery via Rs485
- Pure sine wave
- Power factor 1.0
- PVinput Voltage 60Vdc-500Vdc
- Built-in MPPT 120A
- Capable to work without battery
- Detachable dust cover for harsh environment
- WiFiremote monitoring optional
- Support multiple output priority:UTL,SOL,SBU, SUB
- EQ function to optimize battery performance and extend lifecycle



RS232/RS485



MPPT 120A



PV 65-500Vdc



No Battery Mode

BMS

Lithium Battery
Activation



High Efficiency

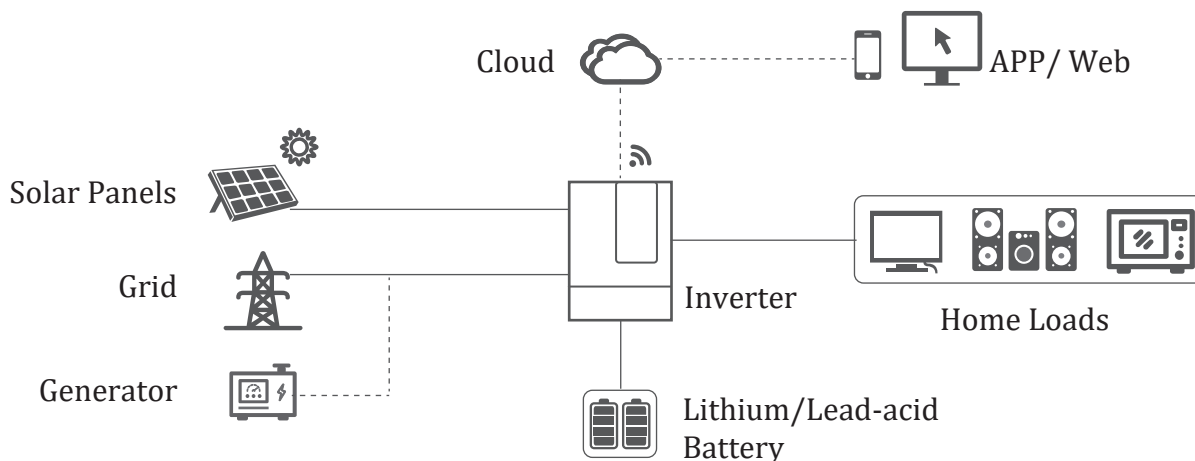


Pure sine wave



WiFi

System Diagram





Specifications

Model	HVM 6.2KW
AC Input	
Rated Input Voltage (VAC)	230VAC
Voltage Range (VAC)	170-280VAC(For personal Computer); 90-280VAC(For Home Appliances)
Frequency (Hz)	50 / 60Hz (Auto Sensing)
AC Output	
Rated Capacity (kW)	6.2KW
Surge Power (kVA)	12.4kVA
Voltage (VAC)	220/230±5%
Power Factor (PF)	0.6~1(inductive or capacitive)
Frequency	50 / 60Hz
Switch Time (ms)	10ms(For personal Computer); 20ms(For Home Appliances)
Wave Form	Pure Sine Wave
Overload Capacity (Battery Mode)	5s@>=140%load;10s@110%~140%load
Max. Efficiency (Battery Mode)	93%
Charger (PV /AC)	
Solar Charger Type	MPPT
Max PV input Current /Input Power	27A / 6500W
MPPT Range@Operating Voltage (VDC)	60~500VDC
Max PV Open Circuit Voltage (VDC)	500VDC
Max PV Charge Current (A)	120A
Max AC Charge Current (A)	80A
Max. Charge Current (PV + AC)(A)	120A
Battery	
Rated Voltage (VDC)	48VDC
Floating Charge Voltage (VDC)	54VDC
Overcharge Protection (VDC)	63VDC
Battery Type	Lithium and Lead-acid
Interface	
HMI	LCD
Interface	RS485 + RS232
Monitoring	WiFi (Optional)
General Data	
Ingress Protection	IP21
Operating Temperature	-10°C~50°C
Relative Humidity	5% to 95% Relative Humidity(Non-condensing)
Storage Temperature	-15 °C~50°C
Net Weight (kg)	9kg
Dimensions (W*H*D)	438*295*105mm