

# MPF series

Maximum working pressure up to 800 kPa (8 bar) - Flow rate up to 900 l/min



## Description

## Technical data

### Return filter

**Maximum working pressure up to 800 kPa (8 bar)**  
**Flow rate up to 900 l/min**

MPF is a range of return filters for protection of the reservoir against the system contamination.

They are directly fixed to the reservoir, in immersed or semi-immersed position.

The filter output must be always immersed into the fluid to avoid aeration or foam generation into the reservoir.

### Available features:

- Female threaded connections up to 2" and flanged connections up to 2", for a maximum flow rate of 900 l/min
- Multiple connections, to connect several return lines or drains
- Fine filtration rating, to get a good cleanliness level into the reservoir
- Bypass valve integrated into the filter element, to relieve excessive pressure drop across the filter media
- 2, 3 or 4 fixing holes for installation, to suit a variety of reservoir surfaces
- O-ring or Flat Seal to suit a variety of reservoir surfaces
- Oil dipstick, to easily check the level of the fluid into the reservoir (sold as separate item)
- Extension tube, to be used in deep reservoirs (sold as separate item)
- Diffuser, to reduce the risk of aeration, foaming and noise (sold as separate item)
- Filler plug, to fill cleaned fluid into the tank without an additional connection
- Visual, electrical and electronic clogging indicators

### Common applications:

- Light industrial equipment
- Mobile application

### Filter housing materials

- Head: Aluminium
- Cover  
 Polyamide: MPF 020-030-100-104-110  
 Aluminium: MPF 181-182-184-191-192-194-400-410-450-451-750
- Bowl: Polyamide

### Bypass valve

- Opening pressure 175 kPa (1.75 bar) ±10%
- Opening pressure 300 kPa (3 bar) ±10%

### Δp element type

- Microfibre filter elements - series H: 10 bar
- Fluid flow through the filter element from OUT to IN

### Seals

- Standard NBR series A
- Optional FPM series V

### Temperature

From -25 °C to +110 °C

### Note

MPF filters are provided for vertical mounting

## Weights [kg] and volumes [dm<sup>3</sup>]

Filter series	Weights [kg]				Volumes [dm <sup>3</sup> ]					
	Length	1	2	3	4	Length	1	2	3	4
<b>MPF 020</b>		0.30	-	-	-		0.26	-	-	-
<b>MPF 030</b>		0.40	-	-	-		0.29	-	-	-
<b>MPF 100</b>		0.61	0.64	0.67	0.74		0.64	0.85	1.20	1.65
<b>MPF 104</b>		0.82	0.96	1.02	1.25		0.64	0.85	1.20	1.65
<b>MPF 110</b>		0.64	0.68	0.71	0.78		-	-	-	-
<b>MPF 181</b>		2.20	3.00	-	-		2.50	4.00	-	-
<b>MPF 182</b>		2.30	3.10	-	-		2.50	4.00	-	-
<b>MPF 184</b>		2.55	3.45	-	-		2.65	4.45	-	-
<b>MPF 191</b>		-	3.00	-	-		-	4.25	-	-
<b>MPF 192</b>		-	3.10	-	-		-	4.25	-	-
<b>MPF 194</b>		-	3.45	-	-		-	4.45	-	-
<b>MPF 400</b>		3.35	3.65	3.90	-		3.70	4.60	5.40	-
<b>MPF 410</b>		3.55	3.85	4.10	-		3.70	4.60	5.40	-
<b>MPF 450-451</b>		3.95	4.25	4.50	-		3.70	4.60	5.40	-
<b>MPF 750</b>		6.30	-	-	-		8.45	-	-	-

Filter series	Length	Filter element design - H series					Filter element design - N series		
		A03	A06	A10	A16	A25	M25 M60 M90	P10	P25
<b>MPF 020</b>	<b>1</b>	7	10	23	28	42	59	51	54
<b>MPF 030</b>	<b>1</b>	7	10	24	29	47	84	60	66
<b>MPF 100-104-110</b>	<b>1</b>	18	20	53	56	65	153	87	96
	<b>2</b>	28	38	65	75	95	158	111	123
	<b>3</b>	48	55	125	135	169	289	224	251
	<b>4</b>	79	89	180	185	198	306	264	289
<b>MPF 181-182-184</b>	<b>1</b>	127	148	235	243	278	441	285	299
	<b>2</b>	231	262	358	382	388	472	404	412
<b>MPF 191-192-194</b>	<b>2</b>	261	305	489	528	546	696	583	598
<b>MPF 400</b>	<b>1</b>	150	171	294	304	350	585	370	390
	<b>2</b>	237	252	454	462	589	868	619	645
	<b>3</b>	248	288	553	609	621	885	680	703
<b>MPF 410</b>	<b>1</b>	146	167	277	285	325	512	341	357
	<b>2</b>	226	239	396	402	485	644	503	519
	<b>3</b>	236	269	462	497	505	653	539	553
<b>MPF 450-451</b>	<b>1</b>	150	171	294	304	350	585	370	390
	<b>2</b>	237	252	454	462	589	868	619	645
	<b>3</b>	248	288	553	609	621	885	680	703
<b>MPF 750</b>	<b>1</b>	392	465	623	700	769	929	804	819

### Maximum flow rate for a complete return filter with a pressure drop $\Delta p = 0.5$ bar.

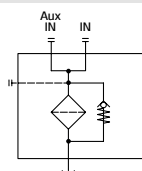
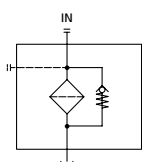
The reference fluid has a kinematic viscosity of 30 mm<sup>2</sup>/s (cSt) and a density of 0.86 kg/dm<sup>3</sup>.

For different pressure drop or fluid viscosity we recommend to use our selection software available on [www.mpfiltri.com](http://www.mpfiltri.com).

You can also calculate the right size using the formulas present on the FILTER SIZING paragraph at the beginning of the full catalogue or at the beginning of the filter family brochure. Please, contact our Sales Department for further additional information.

## Hydraulic symbols

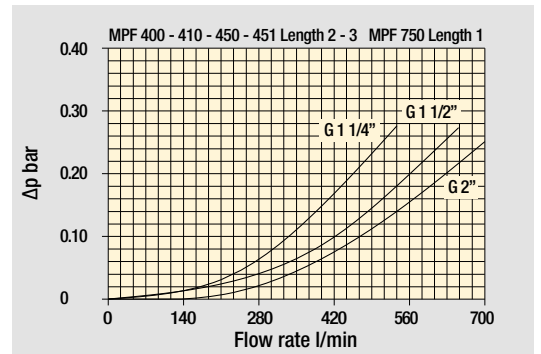
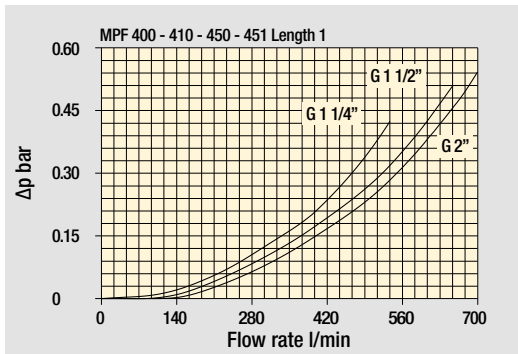
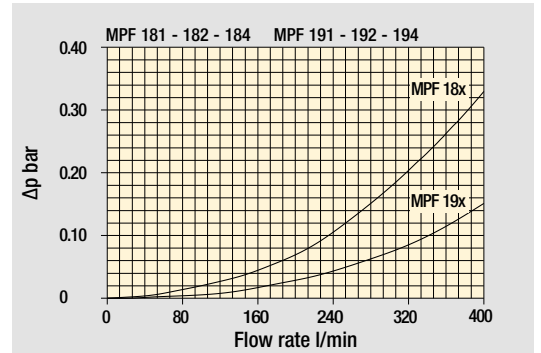
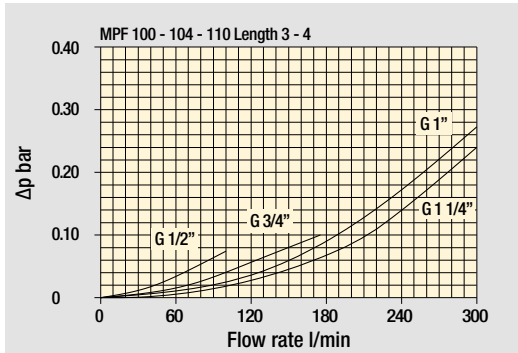
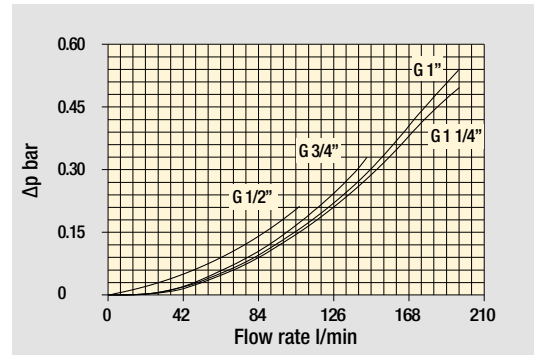
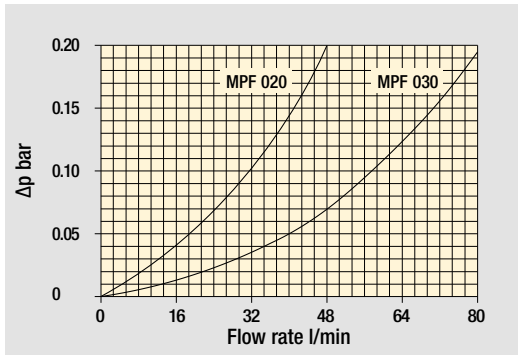
Filter series	Style 1 connection	Style 2 connections
<b>MPF 020</b>	•	-
<b>MPF 030</b>	•	-
<b>MPF 100</b>	•	-
<b>MPF 104</b>	•	-
<b>MPF 110</b>		•
<b>MPF 181</b>	•	-
<b>MPF 182</b>		•
<b>MPF 184</b>	•	•
<b>MPF 191</b>	•	-
<b>MPF 192</b>	•	-
<b>MPF 194</b>	•	•
<b>MPF 400</b>	•	-
<b>MPF 410</b>		•
<b>MPF 450</b>	•	-
<b>MPF 451</b>		•
<b>MPF 750</b>	•	-



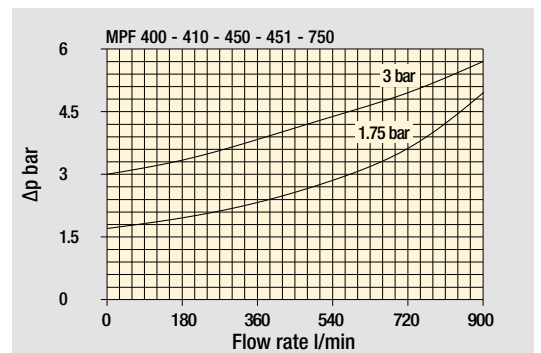
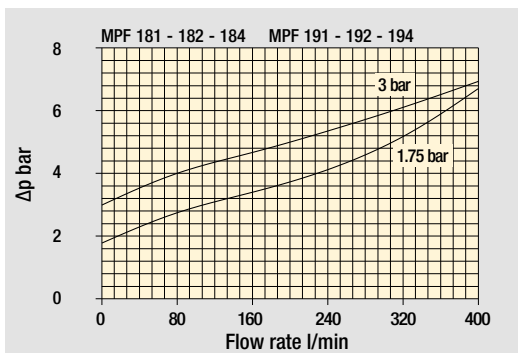
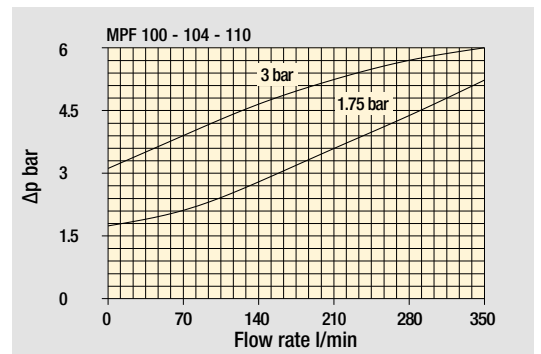
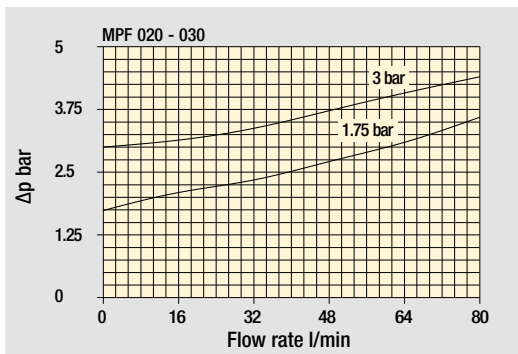
# MPF GENERAL INFORMATION

## Pressure drop

### Filter housings $\Delta p$ pressure drop



### Bypass valve pressure drop

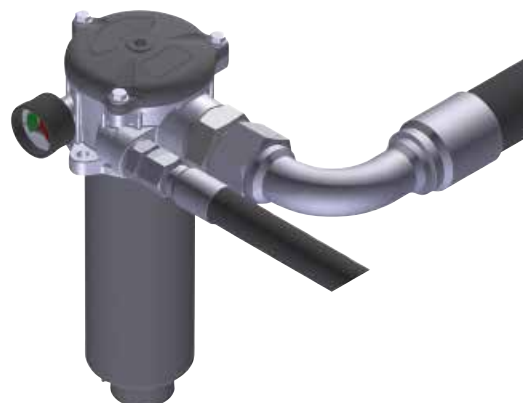


The curves are plotted using mineral oil with density of 0.86 kg/dm<sup>3</sup> in compliance with ISO 3968.  $\Delta p$  varies proportionally with density.

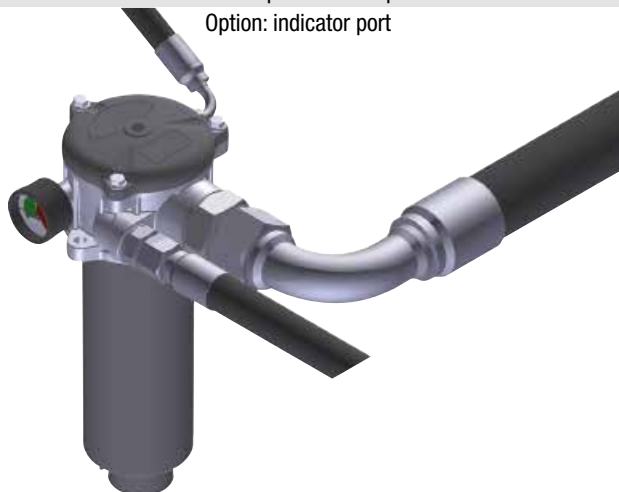
Standard - Single IN port



Double IN port  
Option: double indicator port



Double IN port - Drain port  
Option: indicator port



Double IN port - Double drain port



# MPF MPF020 - MPF030

## Designation & Ordering code

### COMPLETE FILTER

<b>Series and size</b>		Configuration example 1:		MPF020	1	A	P1	A10	H	E	P01		
<b>MPF020</b>	<b>MPF030</b>	Filter element with standard spigot		Configuration example 2:		MPF030	1	V	G1	M25	N	B	P01
<b>Length</b>		1											
<b>Seals and treatments</b>		A NBR											
		V FPM											
		W NBR head anodized											
		Z FPM head anodized											
<b>Connections</b>		Size 20	Size 30										
P1 Hose barb ø12		•	-										
G1 G 1/2"		-	•										
G4 1/2" NPT		-	•										
G7 SAE 8 - 3/4" - 16 UNF		-	•										
<b>Filtration rating (filter media)</b>													
A03 Inorganic microfiber 3 µm		M25 Wire mesh 25 µm											
A06 Inorganic microfiber 6 µm		M60 Wire mesh 60 µm											
A10 Inorganic microfiber 10 µm		M90 Wire mesh 90 µm											
A16 Inorganic microfiber 16 µm		P10 Resin impregnated paper 10 µm											
A25 Inorganic microfiber 25 µm		P25 Resin impregnated paper 25 µm											
All filter media except M60, P10 and P25 are compatible with fluids HFA, HFB and HFC													
<b>Element Δp</b>		Filter media											
		Axx	Mxx	Pxx									
N 10 bar		-	•	•									
H 10 bar		•	-	-									
		<b>Bypass valve</b>		<b>Execution</b>									
		E 3 bar		P01 MP Filtri standard									
		B 1.75 bar		Pxx Customized									

### FILTER ELEMENT

<b>Element series and size</b>		Configuration example 1:		MF030	1	A10	H	B	E	P01	
<b>MF030</b>	Filter element with standard spigot		Configuration example 2:		MF030	1	M25	N	V	P01	
<b>Element length</b>		1									
<b>Filtration rating (filter media)</b>											
A03 Inorganic microfiber 3 µm		M25 Wire mesh 25 µm									
A06 Inorganic microfiber 6 µm		M60 Wire mesh 60 µm									
A10 Inorganic microfiber 10 µm		M90 Wire mesh 90 µm									
A16 Inorganic microfiber 16 µm		P10 Resin impregnated paper 10 µm									
A25 Inorganic microfiber 25 µm		P25 Resin impregnated paper 25 µm									
<b>Element Δp</b>		Filter media									
		Axx	Mxx	Pxx							
N 10 bar		-	•	•							
H 10 bar		•	-	-							
		<b>Seals</b>		<b>Bypass valve</b>		<b>Execution</b>					
		B NBR		E 3 bar		P01 MP Filtri standard					
		V FPM		- 1.75 bar		Pxx Customized					

### CLOGGING INDICATORS

See page 680-681

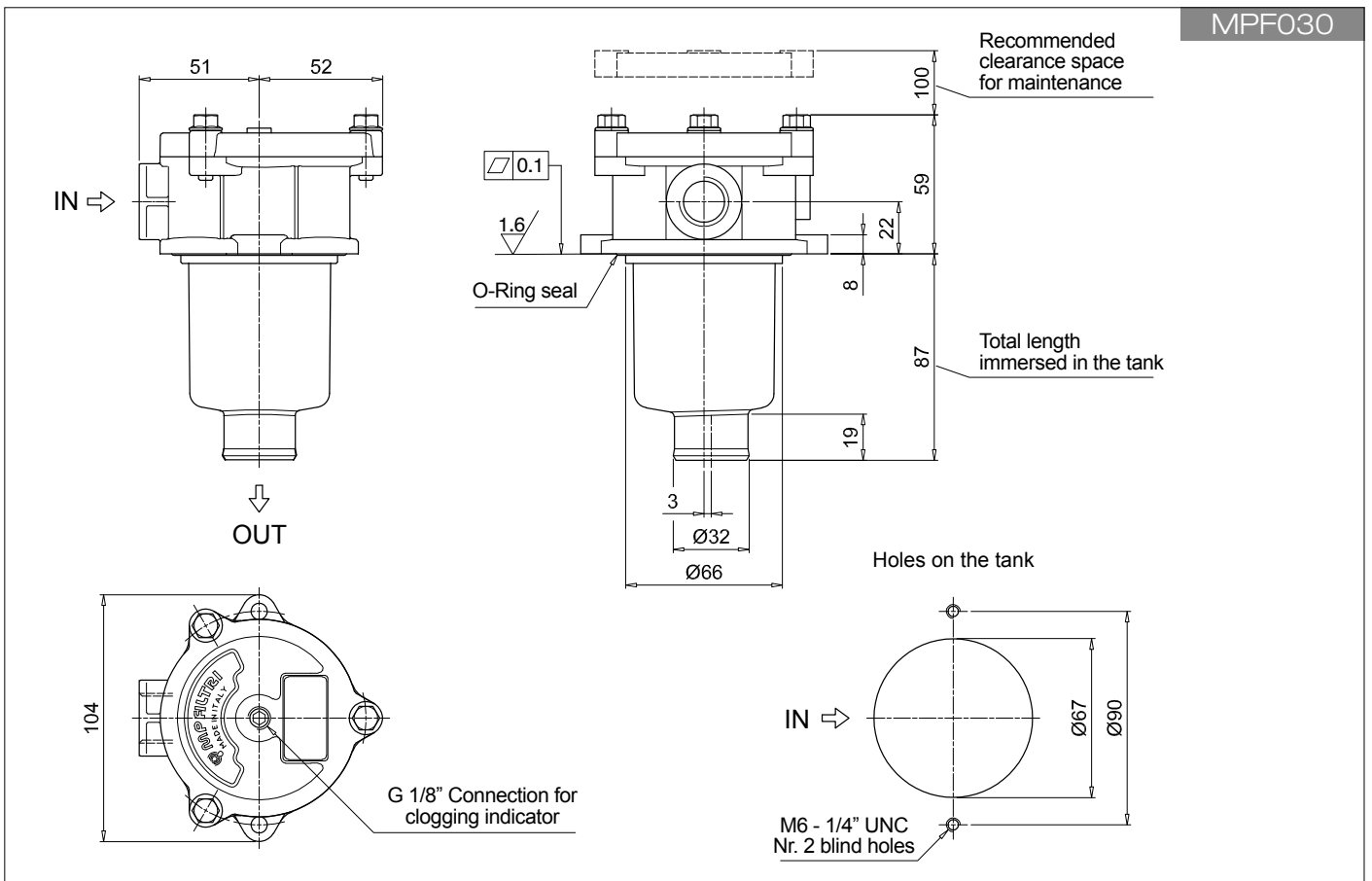
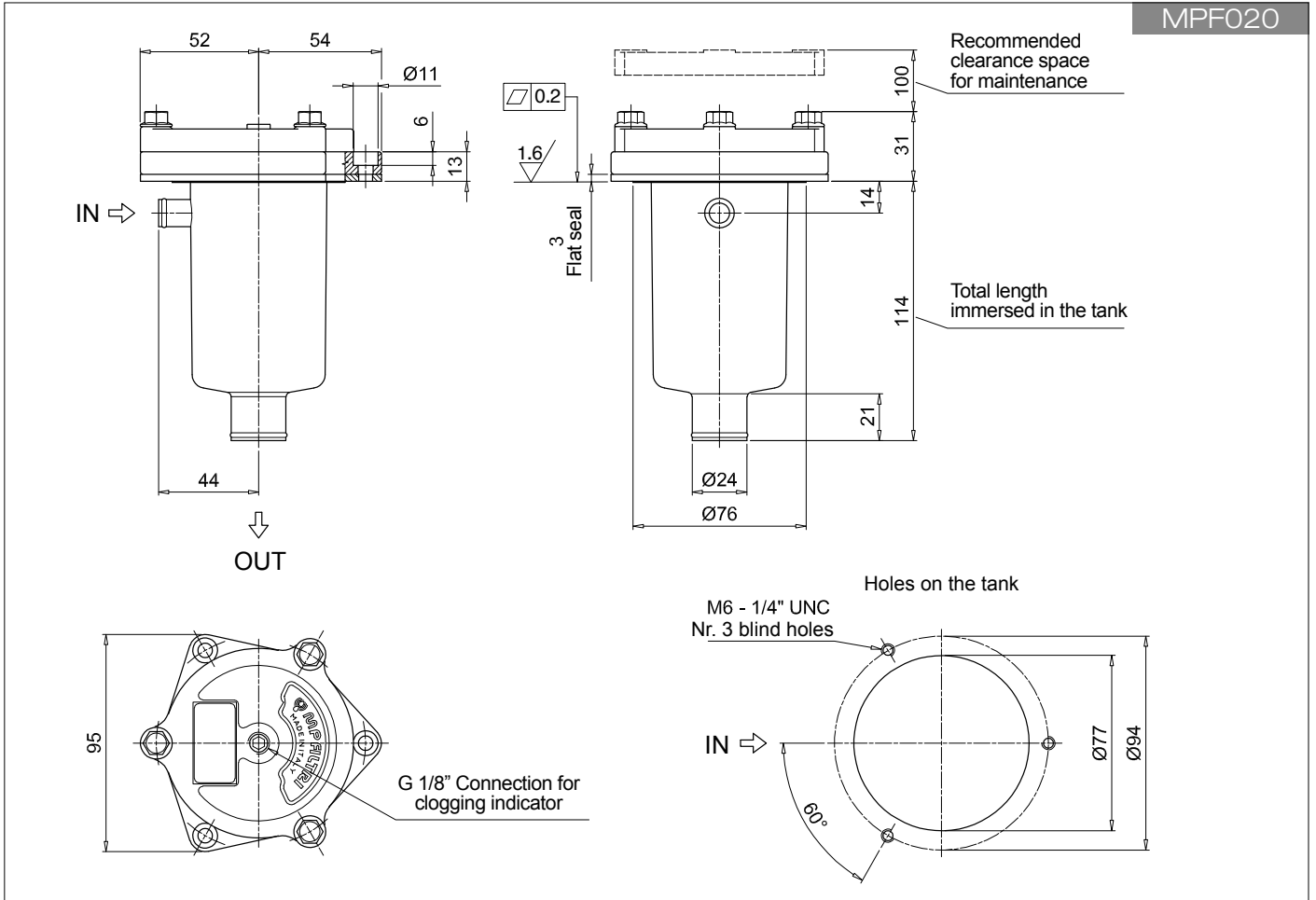
<b>BVA</b>	Axial pressure gauge
<b>BVR</b>	Radial pressure gauge
<b>BVP</b>	Visual pressure indicator with automatic reset
<b>BVQ</b>	Visual pressure indicator with manual reset

<b>BEA</b>	Electrical pressure indicator
<b>BEM</b>	Electrical pressure indicator
<b>BLA</b>	Electrical / visual pressure indicator

### ADDITIONAL FEATURES

See page 262

<b>TE</b>	Extension tube
<b>T5</b>	Filler plug M30x1.5



# MPF MPF100 - MPF104

## Designation & Ordering code

### COMPLETE FILTER

<b>Series and size</b>	Configuration example 1:	<b>MPF100</b>	<b>2</b>	<b>W</b>	<b>G3</b>	<b>A06</b>	<b>H</b>	<b>B</b>	<b>P01</b>
<b>MPF100   MPF104</b> Filter element with standard spigot	Configuration example 2:	<b>MPF104</b>	<b>4</b>	<b>A</b>	<b>G8</b>	<b>P10</b>	<b>N</b>	<b>E</b>	<b>P01</b>

<b>Length</b>	<b>1</b>   <b>2</b>   <b>3</b>   <b>4</b>
---------------	---

<b>Seals and treatments</b>	
<b>A</b> NBR	
<b>V</b> FPM	
<b>W</b> NBR head anodized	
<b>Z</b> FPM head anodized	

Connections	Size 100	Size 104	Connections	Size 100	Size 104
<b>G1</b> G 1/2"	•	•	<b>G7</b> SAE 8 - 3/4" - 16 UNF	•	•
<b>G2</b> G 3/4"	•	•	<b>G8</b> SAE 12 - 1 1/16" - 12 UN	•	•
<b>G3</b> G 1"	•	•	<b>G9</b> SAE 16 - 1 5/16" - 12 UN	•	•
<b>G4</b> 1/2" NPT	•	•			
<b>G5</b> 3/4" NPT	•	•			
<b>G6</b> 1" NPT	•	•			

<b>Filtration rating (filter media)</b>	
<b>A03</b> Inorganic microfiber 3 µm	<b>M25</b> Wire mesh 25 µm
<b>A06</b> Inorganic microfiber 6 µm	<b>M60</b> Wire mesh 60 µm
<b>A10</b> Inorganic microfiber 10 µm	<b>M90</b> Wire mesh 90 µm
<b>A16</b> Inorganic microfiber 16 µm	<b>P10</b> Resin impregnated paper 10 µm
<b>A25</b> Inorganic microfiber 25 µm	<b>P25</b> Resin impregnated paper 25 µm

All filter media except M60, P10 and P25 are compatible with fluids HFA, HFB and HFC

<b>Element Δp</b>	<b>Filter media</b>	<b>Bypass valve</b>	<b>Execution</b>
<b>N</b> 10 bar	<b>Axx</b>   <b>Mxx</b>   <b>Pxx</b>	<b>E</b> 3 bar	<b>P01</b> MP Filtri standard
<b>H</b> 10 bar	•   -   -	<b>B</b> 1.75 bar	<b>Pxx</b> Customized

### FILTER ELEMENT

<b>Element series and size</b>	Configuration example 1:	<b>MF100</b>	<b>2</b>	<b>A06</b>	<b>H</b>	<b>B</b>	<b>P01</b>	
<b>MF100</b> Filter element with standard spigot	Configuration example 2:	<b>MF100</b>	<b>4</b>	<b>P10</b>	<b>N</b>	<b>B</b>	<b>E</b>	<b>P01</b>

<b>Element length</b>	<b>1</b>   <b>2</b>   <b>3</b>   <b>4</b>
-----------------------	---

<b>Filtration rating (filter media)</b>	
<b>A03</b> Inorganic microfiber 3 µm	<b>M25</b> Wire mesh 25 µm
<b>A06</b> Inorganic microfiber 6 µm	<b>M60</b> Wire mesh 60 µm
<b>A10</b> Inorganic microfiber 10 µm	<b>M90</b> Wire mesh 90 µm
<b>A16</b> Inorganic microfiber 16 µm	<b>P10</b> Resin impregnated paper 10 µm
<b>A25</b> Inorganic microfiber 25 µm	<b>P25</b> Resin impregnated paper 25 µm

<b>Element Δp</b>	<b>Filter media</b>	<b>Seals</b>	<b>Bypass valve</b>	<b>Execution</b>
<b>N</b> 10 bar	<b>Axx</b>   <b>Mxx</b>   <b>Pxx</b>	<b>B</b> NBR	<b>E</b> 3 bar	<b>P01</b> MP Filtri standard
<b>H</b> 10 bar	•   -   -	<b>V</b> FPM	- 1.75 bar	<b>Pxx</b> Customized

### CLOGGING INDICATORS

See page 680-681

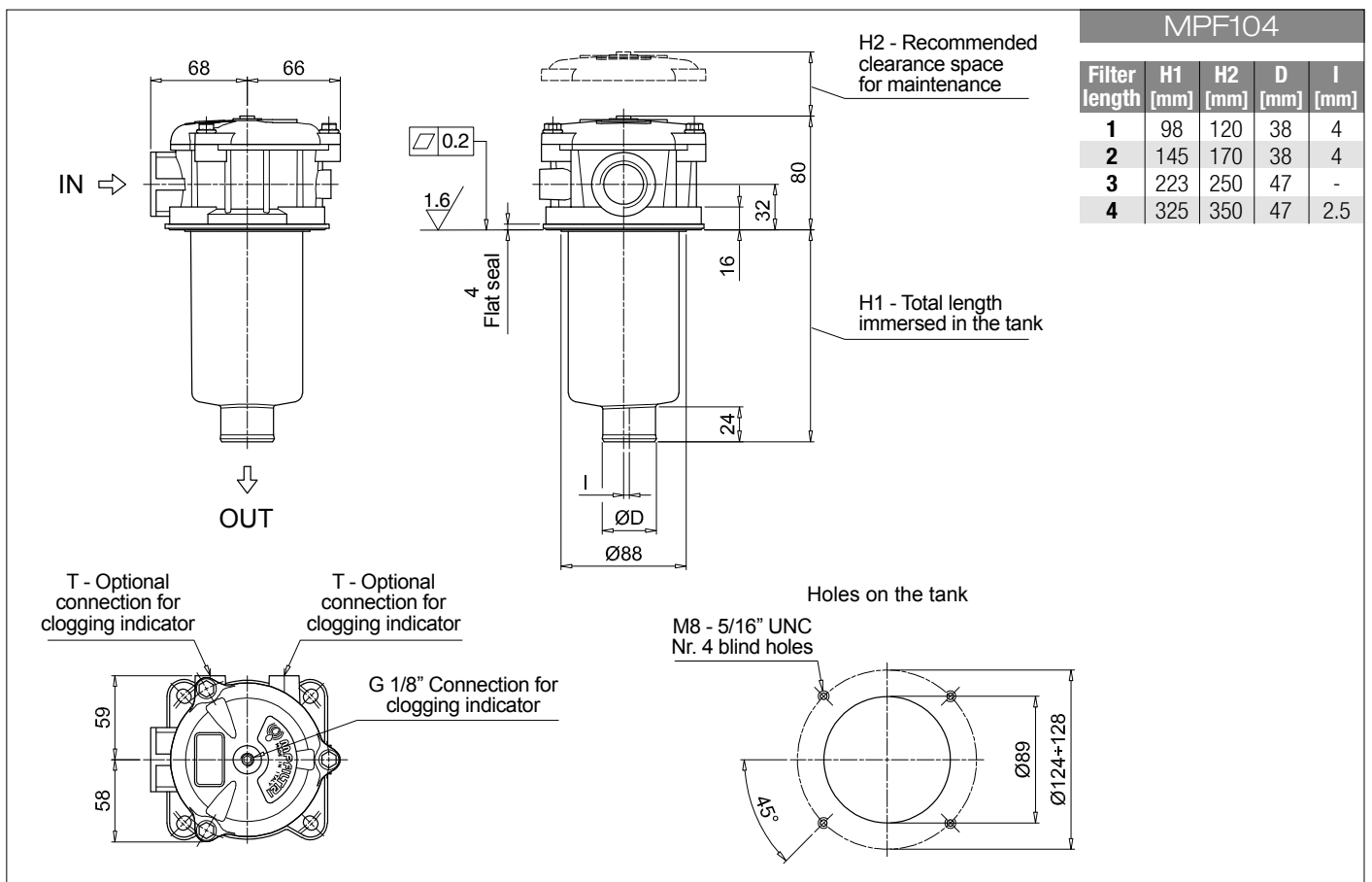
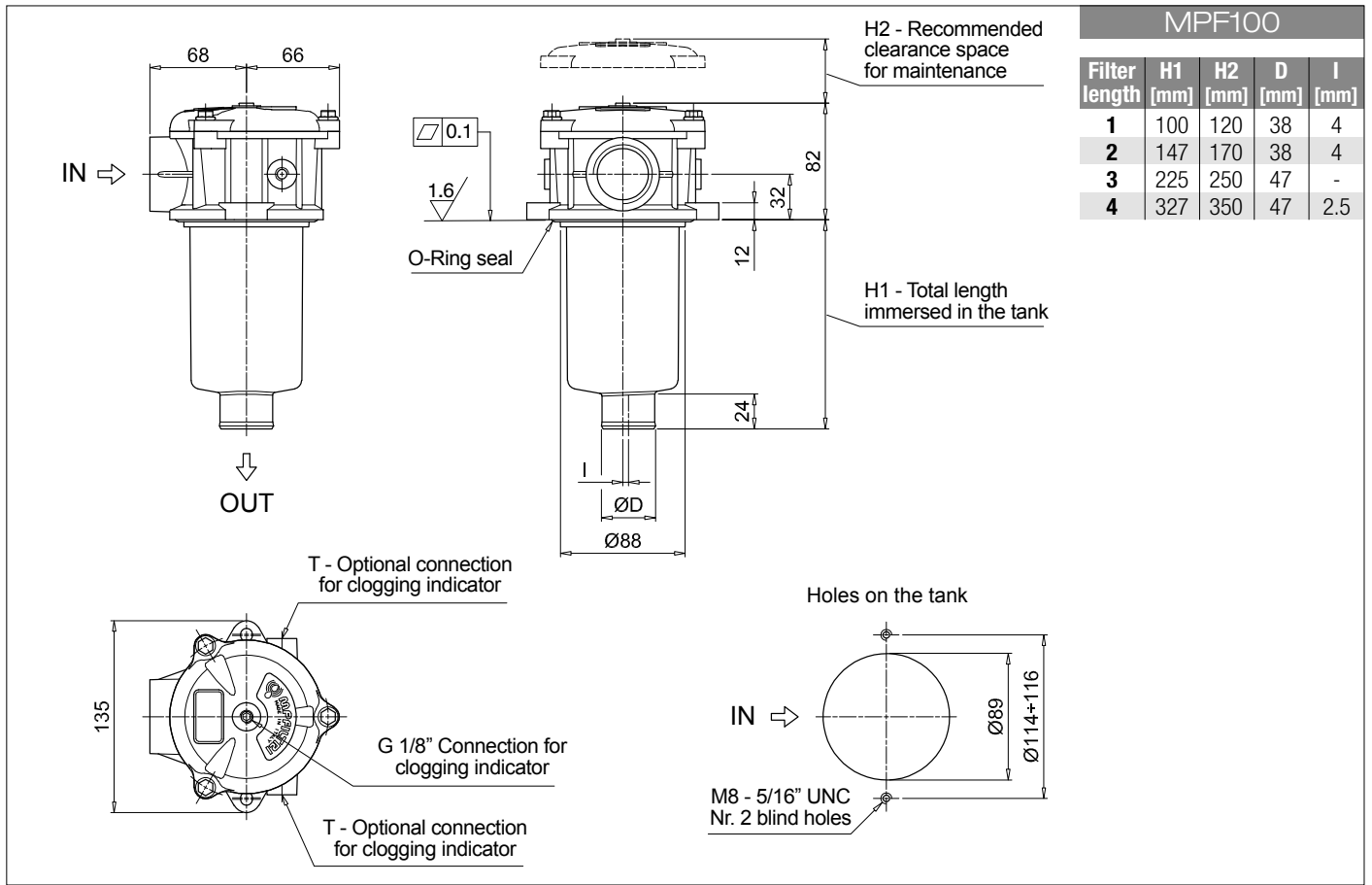
<b>BVA</b> Axial pressure gauge	<b>BEA</b> Electrical pressure indicator
<b>BVR</b> Radial pressure gauge	<b>BEM</b> Electrical pressure indicator
<b>BVP</b> Visual pressure indicator with automatic reset	<b>BLA</b> Electrical / visual pressure indicator
<b>BVQ</b> Visual pressure indicator with manual reset	

### ADDITIONAL FEATURES

See page 262

<b>TE</b> Extension tube	<b>T5</b> Filler plug M30x1.5
<b>DFS</b> Diffuser with fast lock connection	<b>DPT</b> Dipstick





## Designation & Ordering code

### COMPLETE FILTER

<b>Series and size</b>	Configuration example 1:	MPF110	2	A	G2	1	A16	H	E	P01
<b>MPF110</b> Filter element with standard spigot	Configuration example 2:	MPF110	4	V	G12	1	M60	N	B	P01

<b>Length</b>	1	2	3	4
---------------	---	---	---	---

<b>Seals and treatments</b>	<b>A</b> NBR	<b>W</b> NBR head anodized
	<b>V</b> FPM	<b>Z</b> FPM head anodized

Main Connections	Aux size 1	Aux size 2	Main Connections	Aux size 1	Aux size 2
<b>G1</b> G 1/2"	G 3/8"	G 1/2"	<b>G7</b> SAE 8 - 3/4" - 16 UNF	SAE 6 - 9/16" - 18 UNF	SAE 8 - 3/4" - 16 UNF
<b>G2</b> G 3/4"			<b>G8</b> SAE 12 - 1 1/16" - 12 UN		
<b>G3</b> G 1"			<b>G9</b> SAE 16 - 1 5/16" - 12 UN		
<b>G4</b> 1/2" NPT	3/8" NPT	1/2" NPT	<b>G10</b> G 1 1/4"	G 3/8"	G 1/2"
<b>G5</b> 3/4" NPT			<b>G11</b> 1 1/4" NPT	3/8" NPT	1/2" NPT
<b>G6</b> 1" NPT			<b>G12</b> SAE 20 - 1 5/8" - 12 UN	SAE 6 - 9/16" - 18 UNF	SAE 8 - 3/4" - 16 UNF

<b>Aux connection</b> - see previous table	<b>1</b> Aux size 1	<b>2</b> Aux size 2
--	---------------------	---------------------

<b>Filtration rating (filter media)</b>	<b>A03</b> Inorganic microfiber 3 µm	<b>M25</b> Wire mesh 25 µm
	<b>A06</b> Inorganic microfiber 6 µm	<b>M60</b> Wire mesh 60 µm
	<b>A10</b> Inorganic microfiber 10 µm	<b>M90</b> Wire mesh 90 µm
	<b>A16</b> Inorganic microfiber 16 µm	<b>P10</b> Resin impregnated paper 10 µm
	<b>A25</b> Inorganic microfiber 25 µm	<b>P25</b> Resin impregnated paper 25 µm

All filter media except M60, P10 and P25 are compatible with fluids HFA, HFB and HFC

<b>Element Δp</b>	<b>Axx</b>	<b>Mxx</b>	<b>Pxx</b>
<b>N</b> 10 bar	-	•	•
<b>H</b> 10 bar	•	-	-

<b>Bypass valve</b>	<b>Execution</b>
<b>E</b> 3 bar	<b>P01</b> MP Filtri standard
<b>B</b> 1.75 bar	<b>Pxx</b> Customized

### FILTER ELEMENT

<b>Element series and size</b>	Configuration example 1:	MF100	2	A16	H	B	E	P01
<b>MF100</b> Filter element with standard spigot	Configuration example 2:	MF100	4	M60	N	V		P01

<b>Element length</b>	1	2	3	4
-----------------------	---	---	---	---

<b>Filtration rating (filter media)</b>	<b>A03</b> Inorganic microfiber 3 µm	<b>M25</b> Wire mesh 25 µm
	<b>A06</b> Inorganic microfiber 6 µm	<b>M60</b> Wire mesh 60 µm
	<b>A10</b> Inorganic microfiber 10 µm	<b>M90</b> Wire mesh 90 µm
	<b>A16</b> Inorganic microfiber 16 µm	<b>P10</b> Resin impregnated paper 10 µm
	<b>A25</b> Inorganic microfiber 25 µm	<b>P25</b> Resin impregnated paper 25 µm

<b>Element Δp</b>	<b>Axx</b>	<b>Mxx</b>	<b>Pxx</b>
<b>N</b> 10 bar	-	•	•
<b>H</b> 10 bar	•	-	-

<b>Seals</b>	<b>Bypass valve</b>	<b>Execution</b>
<b>B</b> NBR	<b>E</b> 3 bar	<b>P01</b> MP Filtri standard
<b>V</b> FPM	- 1.75 bar	<b>Pxx</b> Customized

### CLOGGING INDICATORS

See page 680-681

<b>BVA</b> Axial pressure gauge
<b>BVR</b> Radial pressure gauge
<b>BVP</b> Visual pressure indicator with automatic reset
<b>BVQ</b> Visual pressure indicator with manual reset

<b>BEA</b> Electrical pressure indicator
<b>BEM</b> Electrical pressure indicator
<b>BLA</b> Electrical / visual pressure indicator

### ADDITIONAL FEATURES

See page 262

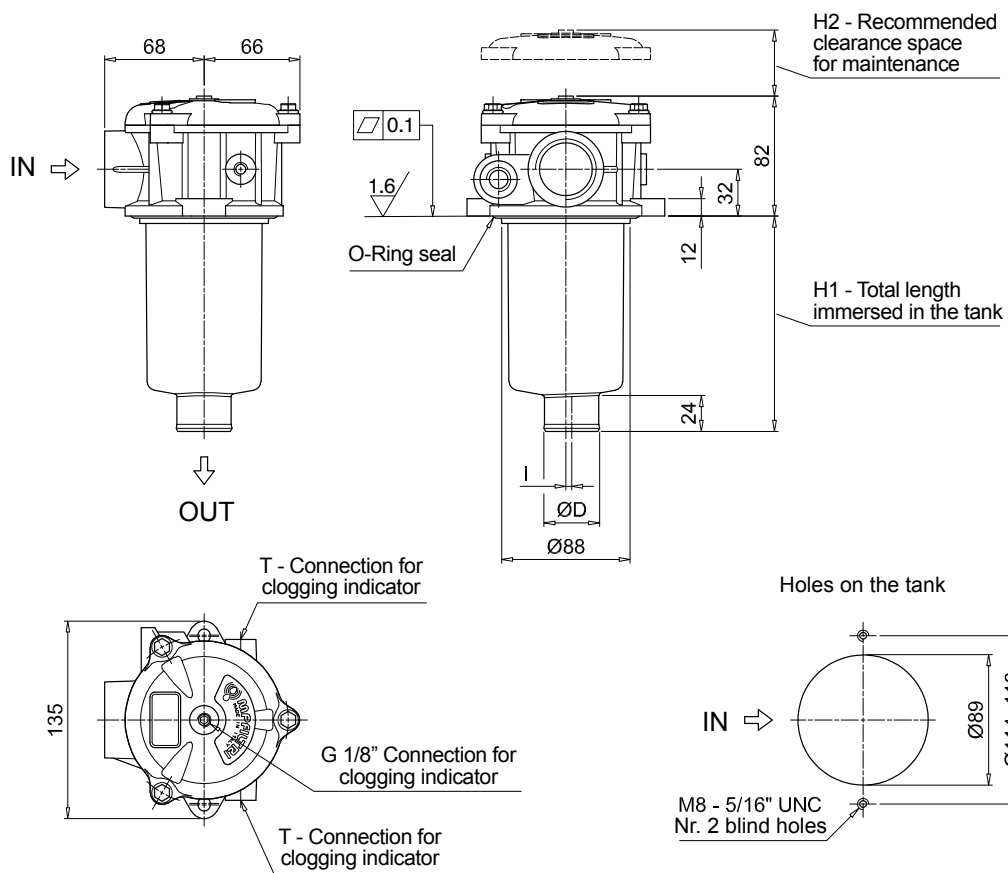
<b>TE</b> Extension tube
<b>DFS</b> Diffuser with fast lock connection

<b>T5</b> Filler plug M30x1.5
<b>DPT</b> Dipstick

MPF110				
Filter length	H1 [mm]	H2 [mm]	D [mm]	I [mm]
<b>1</b>	100	120	38	4
<b>2</b>	147	170	38	4
<b>3</b>	225	250	47	-
<b>4</b>	327	350	47	2.5

Connections	T
<b>G1-G2-G3</b>	G 1/8"
<b>G4-G5-G6-G7-G8-G9</b>	1/8" NPT
<b>G10</b>	G 1/8"
<b>G11-G12</b>	1/8" NPT



# MPF MPF181 - MPF191

## Designation & Ordering code

### COMPLETE FILTER

<b>Series and size</b>	Configuration example 1:	<b>MPF181</b>	<b>1</b>	<b>A</b>	<b>G1</b>	<b>A25</b>	<b>H</b>	<b>E</b>	<b>P01</b>
<b>MPF181   MPF191</b> Filter element with standard spigot	Configuration example 2:	<b>MPF191</b>	<b>2</b>	<b>V</b>	<b>G2</b>	<b>P10</b>	<b>N</b>	<b>B</b>	<b>P01</b>

Length	Size 181	Size 191
<b>1</b>	•	-
<b>2</b>	•	•

#### Seals and treatments

<b>A</b> NBR	<b>B</b> NBR flat seal on head
<b>V</b> FPM	<b>D</b> FPM flat seal on head
<b>W</b> NBR head anodized	<b>L</b> NBR head anodized, flat seal on head
<b>Z</b> FPM head anodized	<b>M</b> FPM head anodized, flat seal on head

#### Connections

<b>G1</b> G 1 1/4"	<b>G5</b> 1 1/2" NPT
<b>G2</b> G 1 1/2"	<b>G7</b> SAE 20 - 1 5/8" - 12 UN
<b>G4</b> 1 1/4" NPT	<b>G8</b> SAE 24 - 1 7/8" - 12 UN

#### Filtration rating (filter media)

<b>A03</b> Inorganic microfiber 3 µm	<b>M25</b> Wire mesh 25 µm
<b>A06</b> Inorganic microfiber 6 µm	<b>M60</b> Wire mesh 60 µm
<b>A10</b> Inorganic microfiber 10 µm	<b>M90</b> Wire mesh 90 µm
<b>A16</b> Inorganic microfiber 16 µm	<b>P10</b> Resin impregnated paper 10 µm
<b>A25</b> Inorganic microfiber 25 µm	<b>P25</b> Resin impregnated paper 25 µm

All filter media except M60, P10 and P25 are compatible with fluids HFA, HFB and HFC

Element Δp	Filter media		
	Axx	Mxx	Pxx
<b>N</b> 10 bar	-	•	•
<b>H</b> 10 bar	•	-	-

Bypass valve	Execution
<b>E</b> 3 bar	<b>P01</b> MP Filtri standard
<b>B</b> 1.75 bar	<b>Pxx</b> Customized

### FILTER ELEMENT

<b>Element series and size</b>	Configuration example 1:	<b>MF180</b>	<b>1</b>	<b>A25</b>	<b>H</b>	<b>B</b>	<b>E</b>	<b>P01</b>
<b>MF180   MF190</b> Filter element with standard spigot	Configuration example 2:	<b>MF190</b>	<b>2</b>	<b>P10</b>	<b>N</b>	<b>V</b>		<b>P01</b>

Element length	Size 180	Size 190
<b>1</b>	•	-
<b>2</b>	•	•

#### Filtration rating (filter media)

<b>A03</b> Inorganic microfiber 3 µm	<b>M25</b> Wire mesh 25 µm
<b>A06</b> Inorganic microfiber 6 µm	<b>M60</b> Wire mesh 60 µm
<b>A10</b> Inorganic microfiber 10 µm	<b>M90</b> Wire mesh 90 µm
<b>A16</b> Inorganic microfiber 16 µm	<b>P10</b> Resin impregnated paper 10 µm
<b>A25</b> Inorganic microfiber 25 µm	<b>P25</b> Resin impregnated paper 25 µm

Element Δp	Filter media		
	Axx	Mxx	Pxx
<b>N</b> 10 bar	-	•	•
<b>H</b> 10 bar	•	-	-

Seals	Bypass valve	Execution
<b>B</b> NBR	<b>E</b> 3 bar	<b>P01</b> MP Filtri standard
<b>V</b> FPM	- 1.75 bar	<b>Pxx</b> Customized

### CLOGGING INDICATORS

See page 680-681

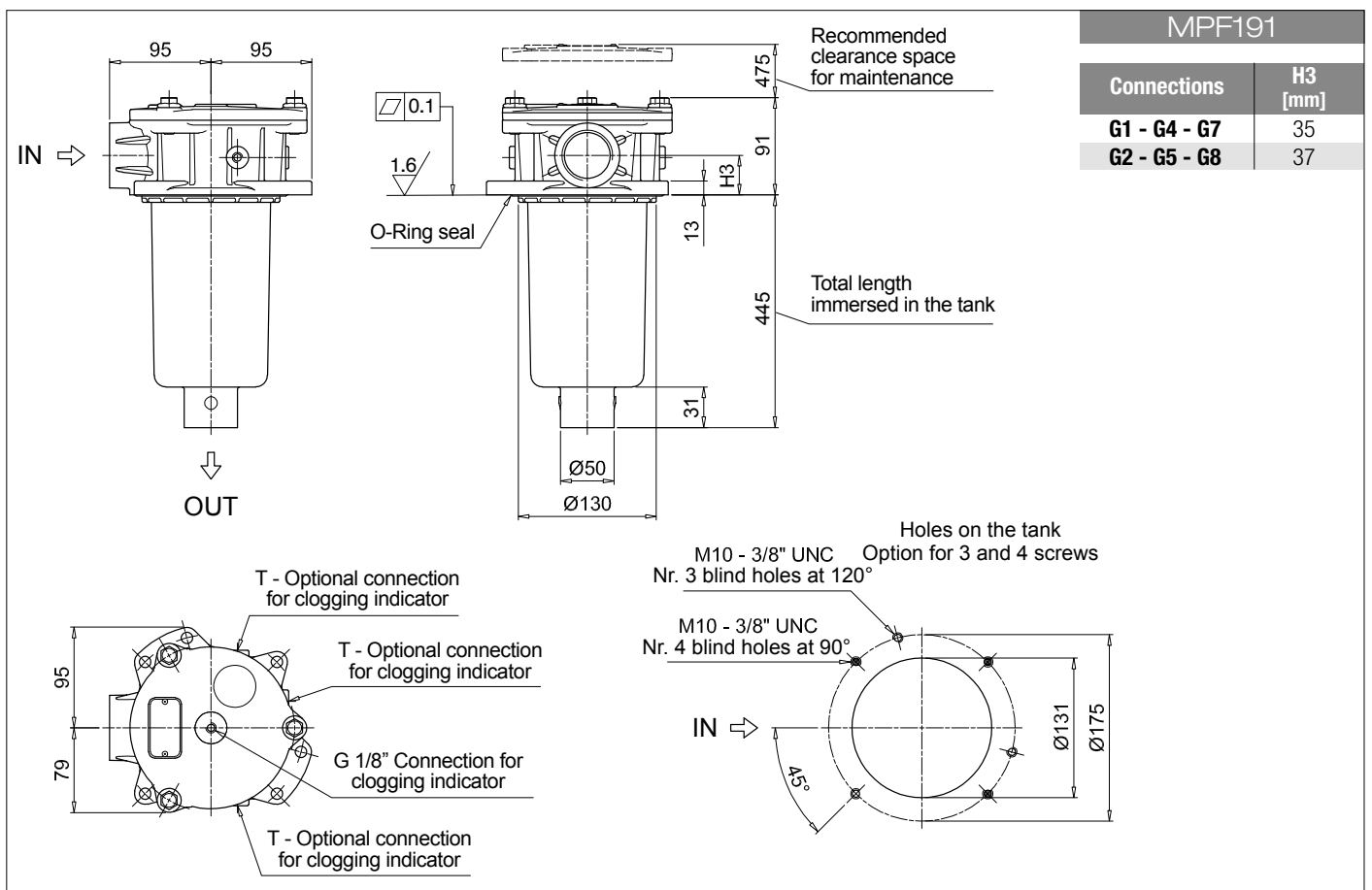
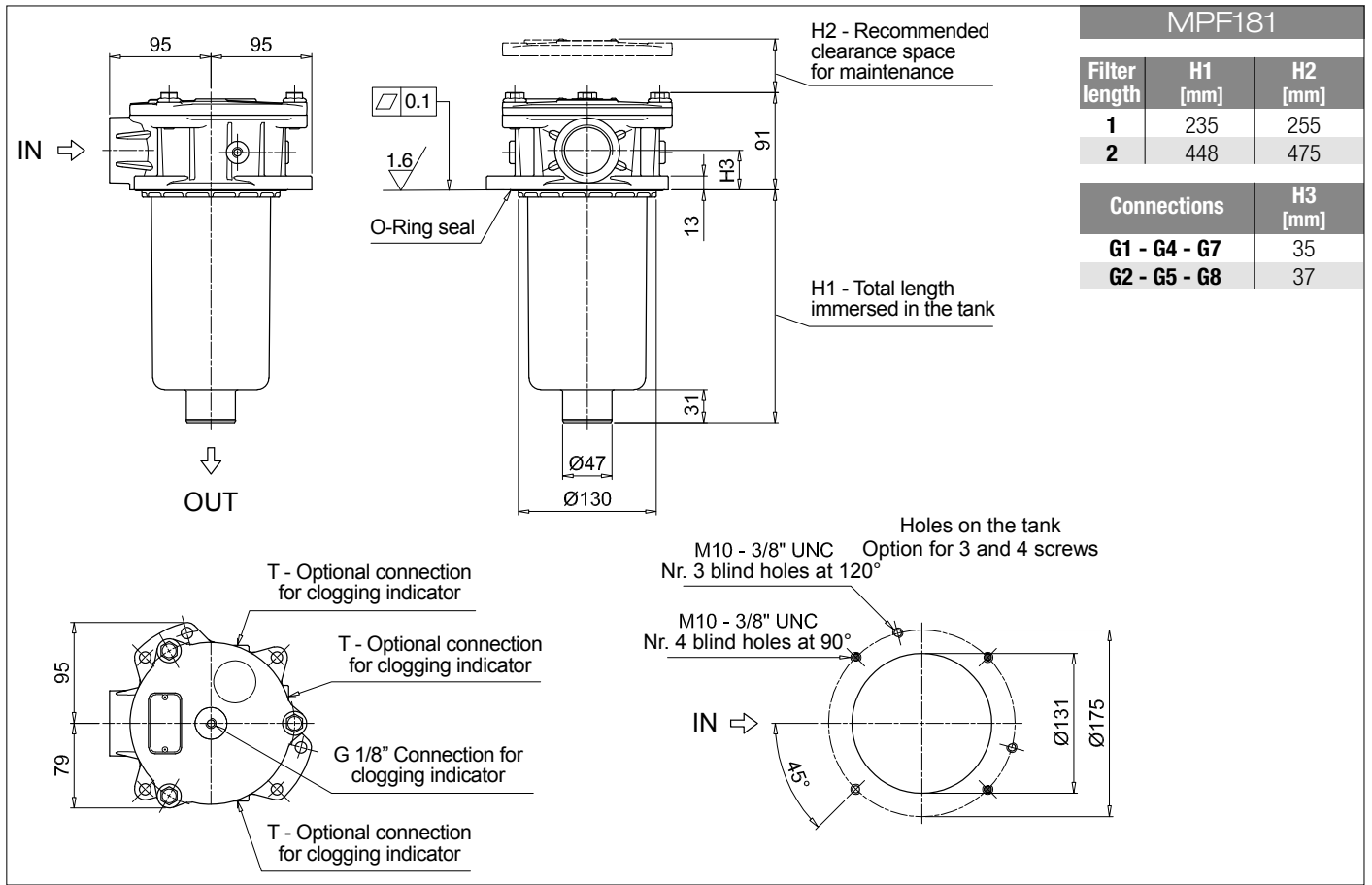
<b>BVA</b> Axial pressure gauge
<b>BVR</b> Radial pressure gauge
<b>BVP</b> Visual pressure indicator with automatic reset
<b>BVQ</b> Visual pressure indicator with manual reset

<b>BEA</b> Electrical pressure indicator
<b>BEM</b> Electrical pressure indicator
<b>BLA</b> Electrical / visual pressure indicator

### ADDITIONAL FEATURES

See page 262

<b>TE</b> Extension tube
<b>Sxx</b> Extension tube
<b>T5</b> Filler plug M30x1.5



# MPF MPF182 - MPF192

## Designation & Ordering code

### COMPLETE FILTER

<b>Series and size</b> <b>MPF182</b>   <b>MPF192</b> Filter element with standard spigot	Configuration example 1:	<b>MPF182</b>	<b>1</b>	<b>A</b>	<b>G1</b>	<b>1</b>	<b>A25</b>	<b>H</b>	<b>E</b>	<b>P01</b>
	Configuration example 2:	<b>MPF192</b>	<b>2</b>	<b>V</b>	<b>G4</b>	<b>2</b>	<b>P10</b>	<b>N</b>	<b>B</b>	<b>P01</b>

Length	Size 182	Size 192
<b>1</b>	•	-
<b>2</b>	•	•

Seals and treatments	
<b>A</b> NBR	<b>B</b> NBR flat seal on head
<b>V</b> FPM	<b>D</b> FPM flat seal on head
<b>W</b> NBR head anodized	<b>L</b> NBR head anodized, flat seal on head
<b>Z</b> FPM head anodized	<b>M</b> FPM head anodized, flat seal on head

Main Connections	Aux size 1	Aux size 2
<b>G1</b> G 1 1/4"	G 1/2"	G 3/4"
<b>G4</b> 1 1/4" NPT	1/2" NPT	3/4" NPT
<b>G7</b> SAE 20 - 1 5/8" - 12 UN	SAE 8 - 3/16" - 16 UNF	SAE 12 - 1 1/16" - 12 UN

Aux connection - see previous table	
<b>1</b> Aux size 1	<b>2</b> Aux size 2

Filtration rating (filter media)	
<b>A03</b> Inorganic microfiber 3 µm	<b>M25</b> Wire mesh 25 µm
<b>A06</b> Inorganic microfiber 6 µm	<b>M60</b> Wire mesh 60 µm
<b>A10</b> Inorganic microfiber 10 µm	<b>M90</b> Wire mesh 90 µm
<b>A16</b> Inorganic microfiber 16 µm	<b>P10</b> Resin impregnated paper 10 µm
<b>A25</b> Inorganic microfiber 25 µm	<b>P25</b> Resin impregnated paper 25 µm

All filter media except M60, P10 and P25 are compatible with fluids HFA, HFB and HFC

Element Δp	Filter media		
	Axx	Mxx	Pxx
<b>N</b> 10 bar	-	•	•
<b>H</b> 10 bar	•	-	-

Bypass valve	Execution
<b>E</b> 3 bar	<b>P01</b> MP Filtri standard
<b>B</b> 1.75 bar	<b>Pxx</b> Customized

### FILTER ELEMENT

<b>Element series and size</b> <b>MF180</b>   <b>MF190</b> Filter element with standard spigot	Configuration example 1:	<b>MF180</b>	<b>1</b>	<b>A25</b>	<b>H</b>	<b>B</b>	<b>E</b>	<b>P01</b>
	Configuration example 2:	<b>MF190</b>	<b>2</b>	<b>P10</b>	<b>N</b>	<b>V</b>		<b>P01</b>

Element length	Size 180	Size 190
<b>1</b>	•	-
<b>2</b>	•	•

Filtration rating (filter media)	
<b>A03</b> Inorganic microfiber 3 µm	<b>M25</b> Wire mesh 25 µm
<b>A06</b> Inorganic microfiber 6 µm	<b>M60</b> Wire mesh 60 µm
<b>A10</b> Inorganic microfiber 10 µm	<b>M90</b> Wire mesh 90 µm
<b>A16</b> Inorganic microfiber 16 µm	<b>P10</b> Resin impregnated paper 10 µm
<b>A25</b> Inorganic microfiber 25 µm	<b>P25</b> Resin impregnated paper 25 µm

Element Δp	Filter media		
	Axx	Mxx	Pxx
<b>N</b> 10 bar	-	•	•
<b>H</b> 10 bar	•	-	-

Seals	Bypass valve	Execution
<b>B</b> NBR	<b>E</b> 3 bar	<b>P01</b> MP Filtri standard
<b>V</b> FPM	- 1.75 bar	<b>Pxx</b> Customized

### CLOGGING INDICATORS

See page 680-681

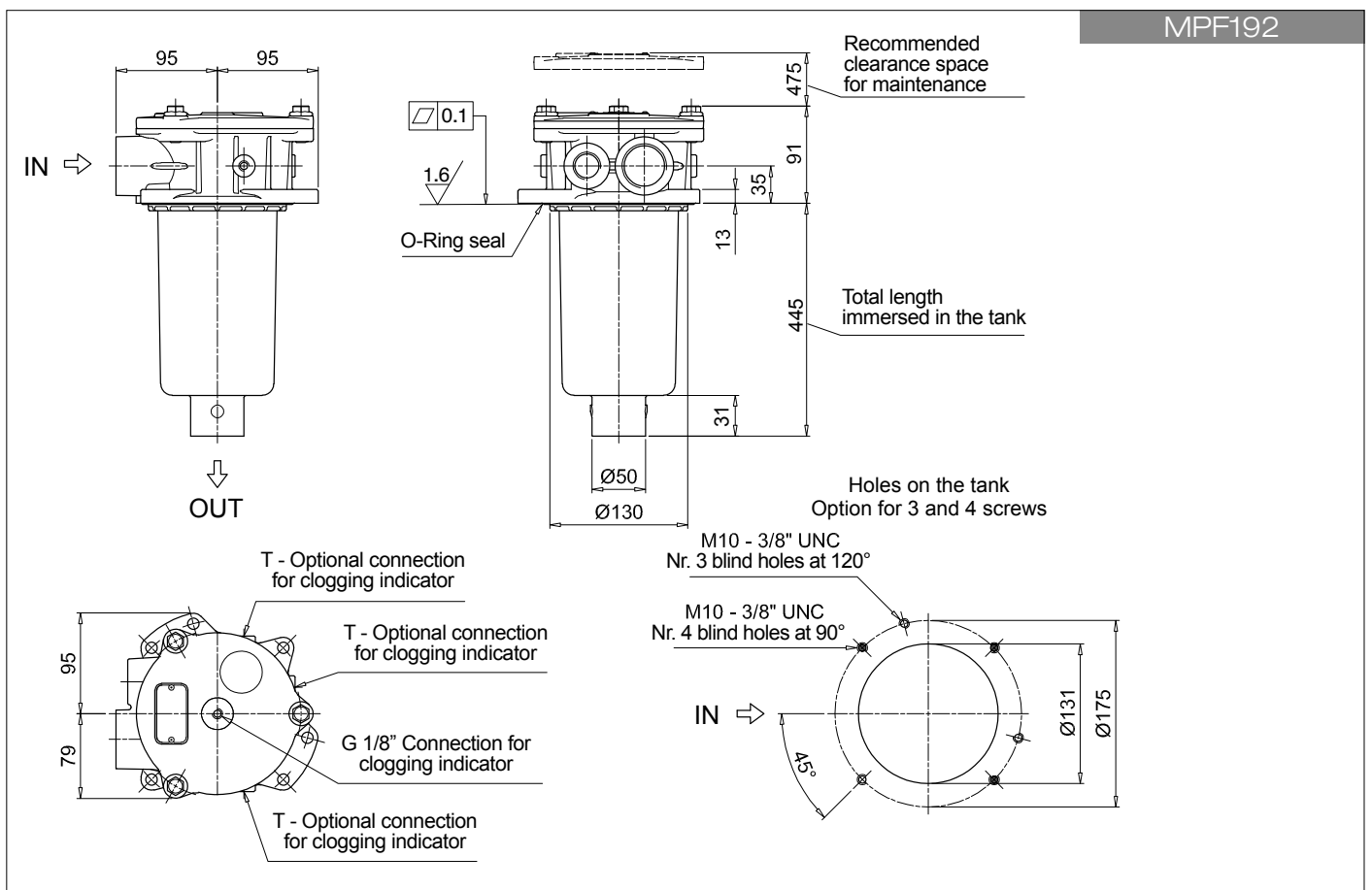
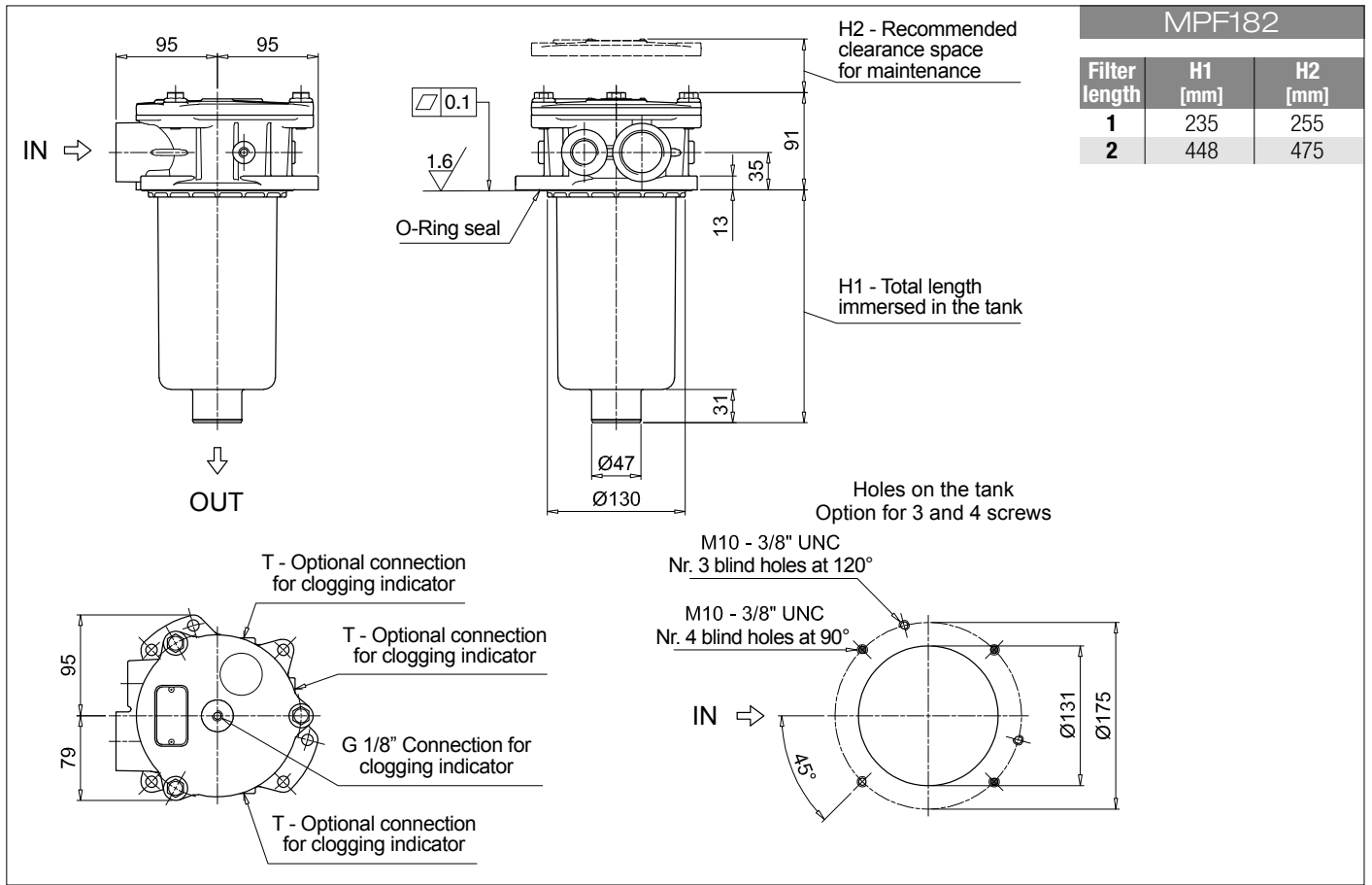
<b>BVA</b> Axial pressure gauge
<b>BVR</b> Radial pressure gauge
<b>BVP</b> Visual pressure indicator with automatic reset
<b>BVQ</b> Visual pressure indicator with manual reset

<b>BEA</b> Electrical pressure indicator
<b>BEM</b> Electrical pressure indicator
<b>BLA</b> Electrical / visual pressure indicator

### ADDITIONAL FEATURES

See page 262

<b>TE</b> Extension tube
<b>Sxx</b> Extension tube
<b>T5</b> Filler plug M30x1.5



# MPF MPF184 - MPF194

## Designation & Ordering code

### COMPLETE FILTER

<b>Series and size</b>	Configuration example 1:	<b>MPF184</b>	<b>1</b>	<b>A</b>	<b>G1</b>	<b>A25</b>	<b>H</b>	<b>E</b>	<b>P01</b>
<b>MPF184</b>   <b>MPF194</b> Filter element with standard spigot	Configuration example 2:	<b>MPF194</b>	<b>2</b>	<b>V</b>	<b>F3</b>	<b>P10</b>	<b>N</b>	<b>B</b>	<b>P01</b>

Length	Size 184	Size 194
<b>1</b>	•	-
<b>2</b>	•	•

Seals and treatments		
<b>A</b> NBR	<b>W</b> NBR	head anodized
<b>V</b> FPM	<b>Z</b> FPM	head anodized

Main Connections	Rear connections	Main Connections	Rear connections
<b>G1</b> G 1 1/4"	-	<b>G13</b> G 1 1/2"	-
<b>G2</b> G 1 1/4"	G 1 1/4"	<b>G14</b> G 1 1/2"	G 1 1/4"
<b>G4</b> 1 1/4" NPT	-	<b>G15</b> 1 1/2" NPT	-
<b>G5</b> 1 1/4" NPT	1 1/4" NPT	<b>G16</b> 1 1/2" NPT	1 1/4" NPT
<b>G7</b> SAE 20 - 1 5/8" - 12 UN	-	<b>F1</b> 1 1/2" SAE 3000 psi/M	-
<b>G8</b> SAE 20 - 1 5/8" - 12 UN	SAE 20 - 1 5/8" - 12 UN	<b>F2</b> 1 1/2" SAE 3000 psi/UNC	-
<b>G10</b> SAE 24 - 1 7/8" - 12 UN	-	<b>F3</b> 1 1/2" SAE 3000 psi/M	1 1/2" SAE 3000 psi/M
<b>G11</b> SAE 24 - 1 7/8" - 12 UN	SAE 20 - 1 5/8" - 12 UN	<b>F4</b> 1 1/2" SAE 3000 psi/UNC	1 1/2" SAE 3000 psi/UNC

Filtration rating (filter media)	
<b>A03</b> Inorganic microfiber 3 µm	<b>M25</b> Wire mesh 25 µm
<b>A06</b> Inorganic microfiber 6 µm	<b>M60</b> Wire mesh 60 µm
<b>A10</b> Inorganic microfiber 10 µm	<b>M90</b> Wire mesh 90 µm
<b>A16</b> Inorganic microfiber 16 µm	<b>P10</b> Resin impregnated paper 10 µm
<b>A25</b> Inorganic microfiber 25 µm	<b>P25</b> Resin impregnated paper 25 µm

All filter media except M60, P10 and P25 are compatible with fluids HFA, HFB and HFC

Element Δp	Filter media			Bypass valve	Execution
	Axx	Mxx	Pxx		
<b>N</b> 10 bar	-	•	•	<b>E</b> 3 bar	<b>P01</b> MP Filtri standard
<b>H</b> 10 bar	•	-	-	<b>B</b> 1.75 bar	<b>Pxx</b> Customized

### FILTER ELEMENT

<b>Element series and size</b>	Configuration example 1:	<b>MF180</b>	<b>1</b>	<b>A25</b>	<b>H</b>	<b>B</b>	<b>E</b>	<b>P01</b>
<b>MF180</b>   <b>MF190</b> Filter element with standard spigot	Configuration example 2:	<b>MF190</b>	<b>2</b>	<b>P10</b>	<b>N</b>	<b>V</b>		<b>P01</b>

Element length	Size 180	Size 190
<b>1</b>	•	-
<b>2</b>	•	•

Filtration rating (filter media)	
<b>A03</b> Inorganic microfiber 3 µm	<b>M25</b> Wire mesh 25 µm
<b>A06</b> Inorganic microfiber 6 µm	<b>M60</b> Wire mesh 60 µm
<b>A10</b> Inorganic microfiber 10 µm	<b>M90</b> Wire mesh 90 µm
<b>A16</b> Inorganic microfiber 16 µm	<b>P10</b> Resin impregnated paper 10 µm
<b>A25</b> Inorganic microfiber 25 µm	<b>P25</b> Resin impregnated paper 25 µm

Element Δp	Filter media			Seals	Bypass valve	Execution
	Axx	Mxx	Pxx			
<b>N</b> 10 bar	-	•	•	<b>B</b> NBR	<b>E</b> 3 bar	<b>P01</b> MP Filtri standard
<b>H</b> 10 bar	•	-	-	<b>V</b> FPM	- 1.75 bar	<b>Pxx</b> Customized

### CLOGGING INDICATORS

See page 680-681

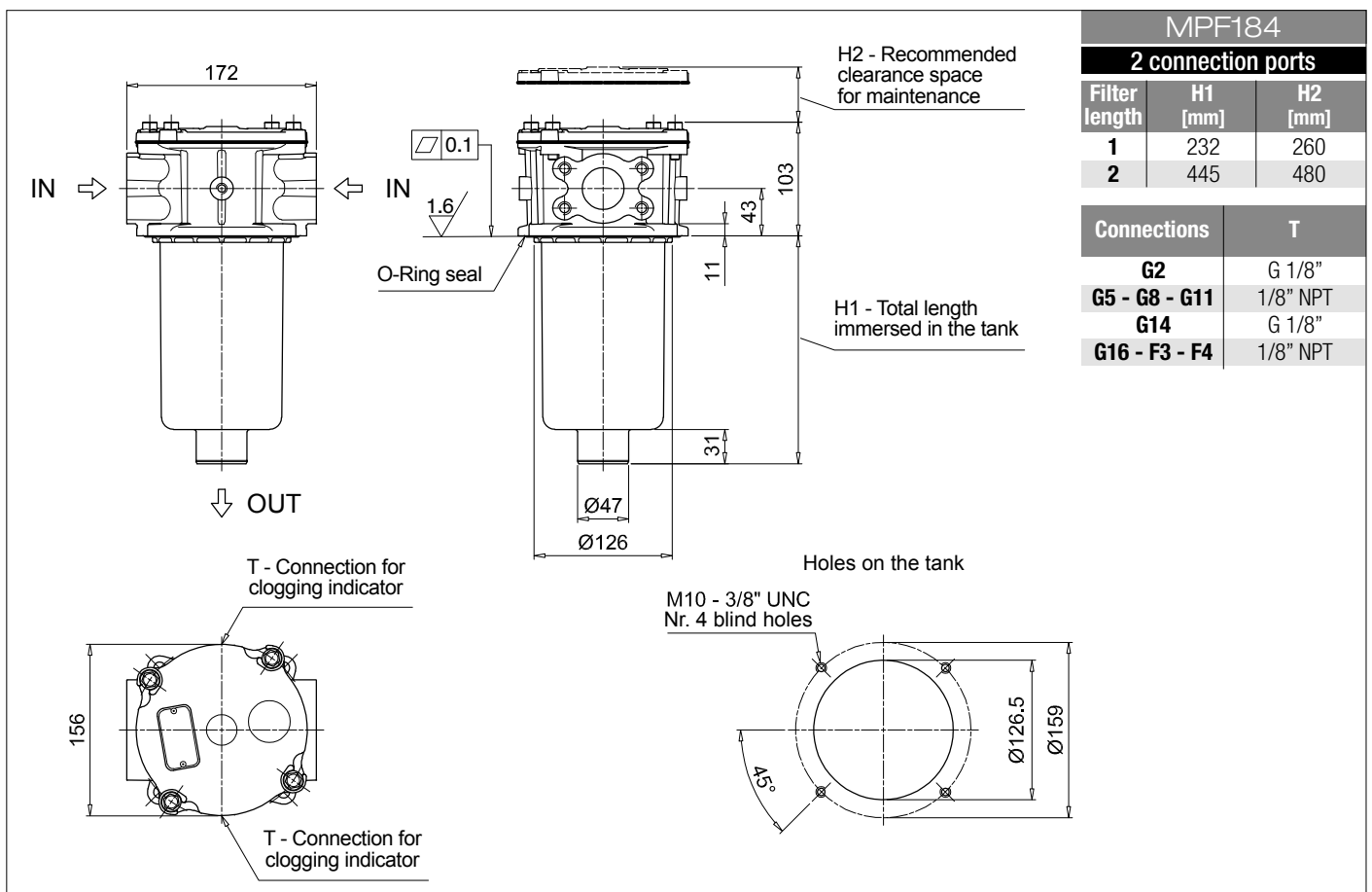
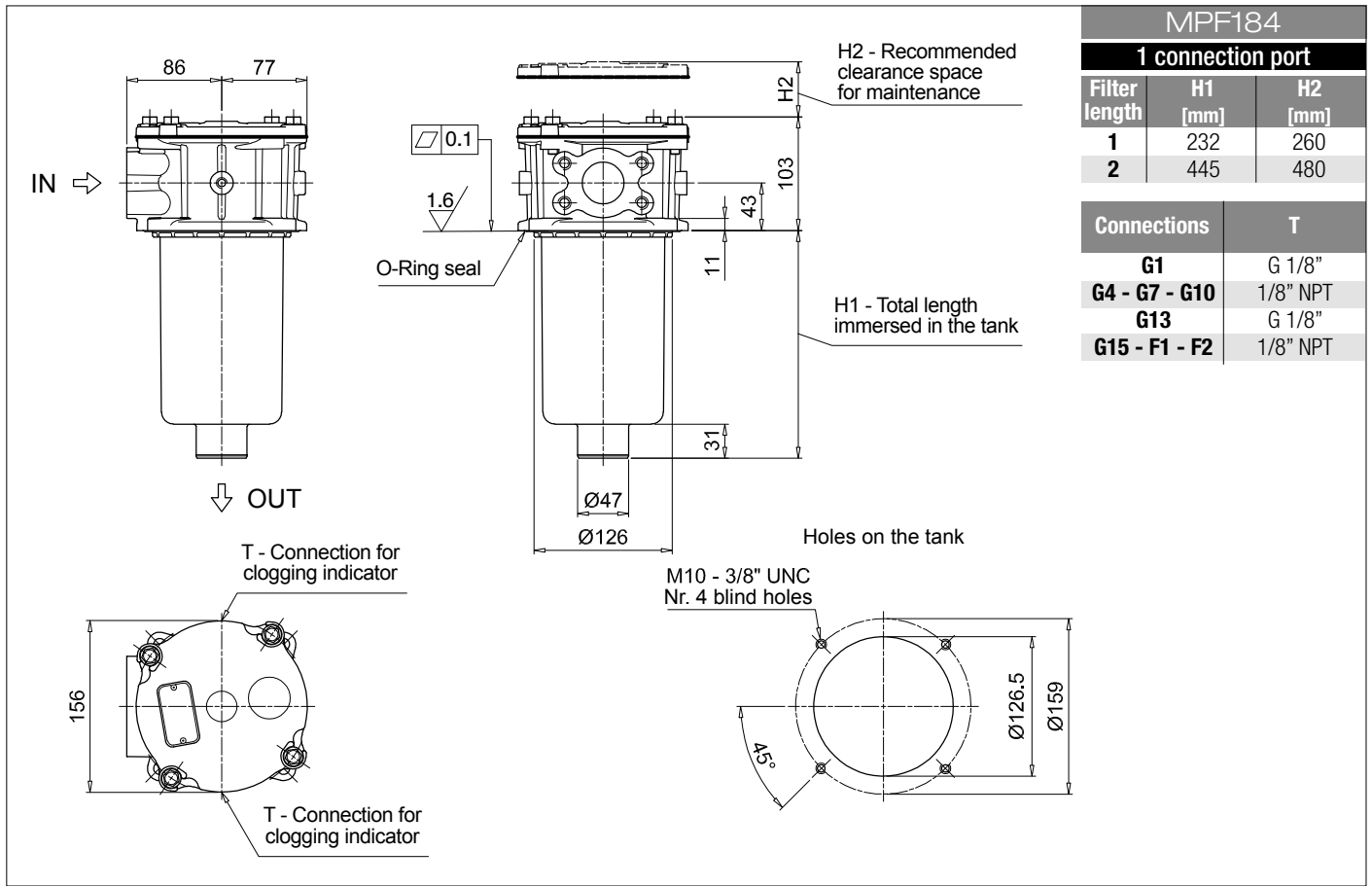
<b>BVA</b> Axial pressure gauge	<b>BEA</b> Electrical pressure indicator
<b>BVR</b> Radial pressure gauge	<b>BEM</b> Electrical pressure indicator
<b>BVP</b> Visual pressure indicator with automatic reset	<b>BLA</b> Electrical / visual pressure indicator
<b>BVQ</b> Visual pressure indicator with manual reset	

### ADDITIONAL FEATURES

See page 262

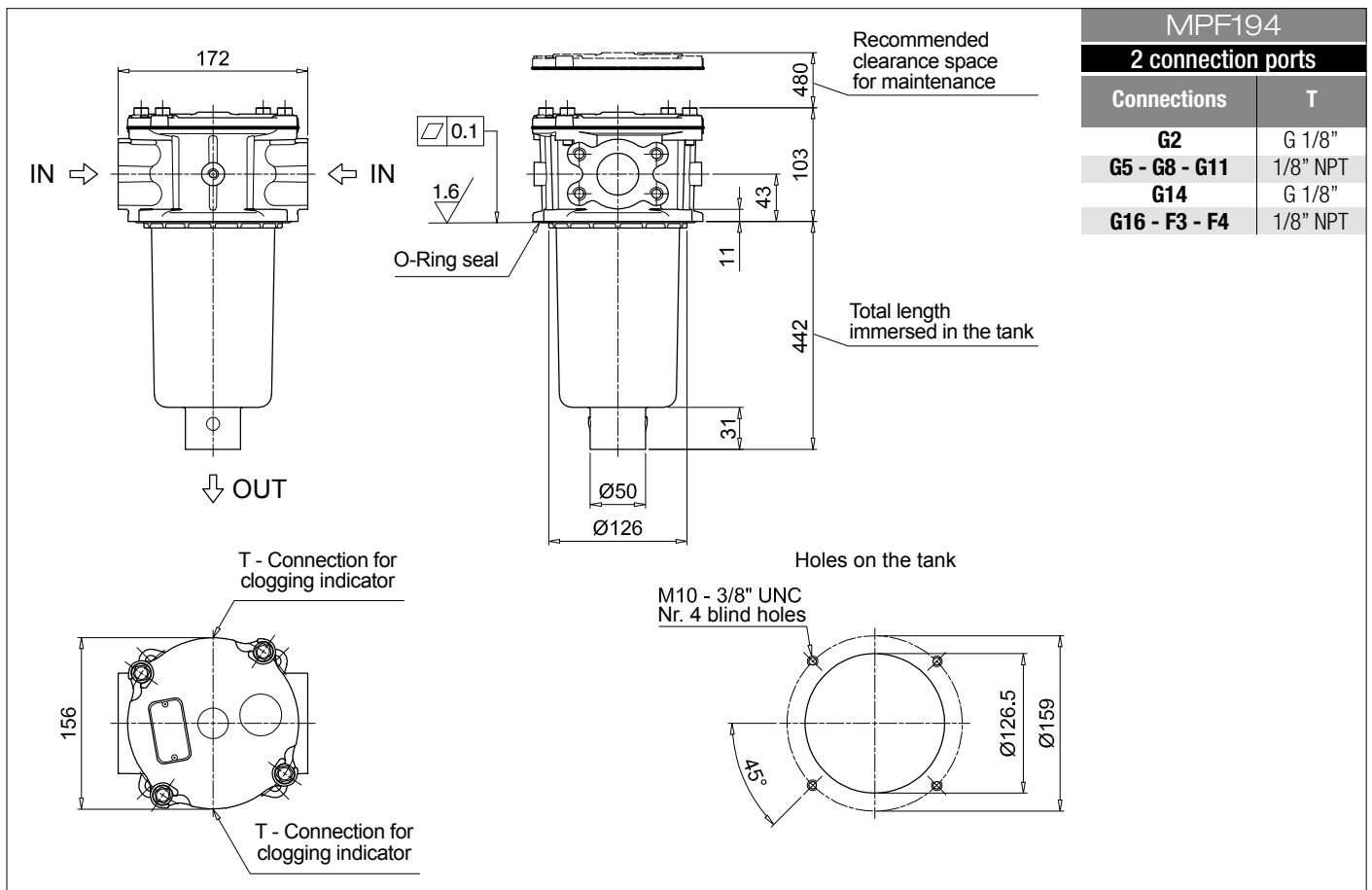
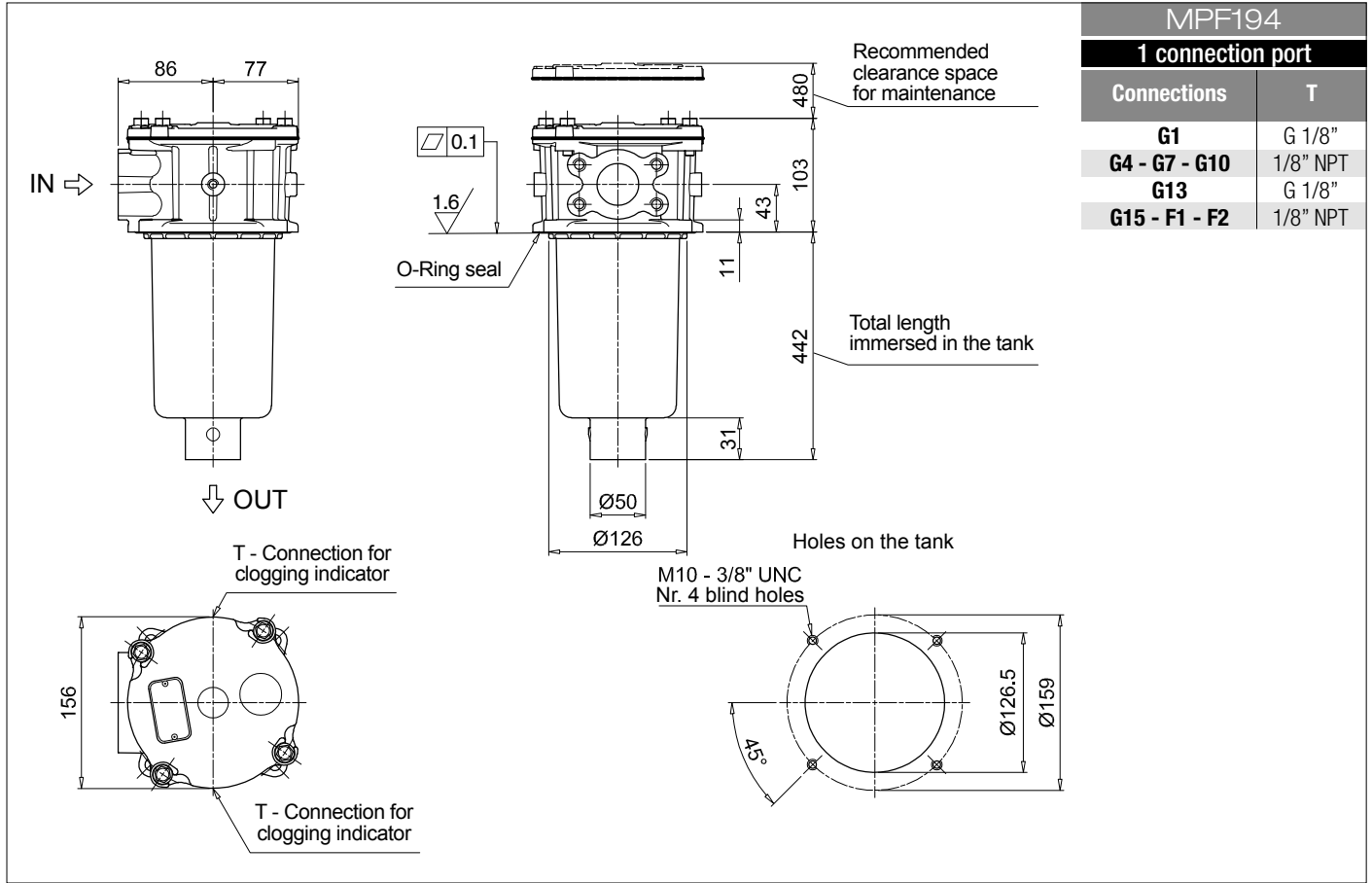
<b>TE</b> Extension tube
<b>Sxx</b> Extension tube
<b>T5</b> Filler plug M30x1.5





# MPF MPF184 - MPF194

## Dimensions





## Designation & Ordering code

### COMPLETE FILTER

<b>Series and size</b>	Configuration example 1:	<b>MPF400</b>	<b>1</b>	<b>A</b>	<b>G9</b>	<b>A25</b>	<b>H</b>	<b>B</b>	<b>P01</b>
<b>MPF400</b> Filter element with standard spigot	Configuration example 2:	<b>MPF400</b>	<b>2</b>	<b>V</b>	<b>G4</b>	<b>P10</b>	<b>N</b>	<b>E</b>	<b>P01</b>
<b>Length</b>									
<b>1</b>   <b>2</b>   <b>3</b>									
<b>Seals and treatments</b>									
<b>A</b> NBR									
<b>V</b> FPM									
<b>W</b> NBR head anodized									
<b>Z</b> FPM head anodized									
<b>Connections</b>									
<b>G1</b> G 1 1/4"	<b>G6</b> 2" NPT								
<b>G2</b> G 1 1/2"	<b>G7</b> SAE 20 - 1 5/8" - 12 UN								
<b>G3</b> G 2"	<b>G8</b> SAE 24 - 1 7/8" - 12 UN								
<b>G4</b> 1 1/4" NPT	<b>G9</b> SAE 32 - 2 1/2" - 12 UN								
<b>G5</b> 1 1/2" NPT									
<b>Filtration rating (filter media)</b>									
<b>A03</b> Inorganic microfiber 3 µm	<b>M25</b> Wire mesh 25 µm								
<b>A06</b> Inorganic microfiber 6 µm	<b>M60</b> Wire mesh 60 µm								
<b>A10</b> Inorganic microfiber 10 µm	<b>M90</b> Wire mesh 90 µm								
<b>A16</b> Inorganic microfiber 16 µm	<b>P10</b> Resin impregnated paper 10 µm								
<b>A25</b> Inorganic microfiber 25 µm	<b>P25</b> Resin impregnated paper 25 µm								

All filter media except M60, P10 and P25 are compatible with fluids HFA, HFB and HFC

Element Δp	Filter media			Bypass valve	Execution
	Axx	Mxx	Pxx		
<b>N</b> 10 bar	-	•	•	<b>E</b> 3 bar	<b>P01</b> MP Filtri standard
<b>H</b> 10 bar	•	-	-	<b>B</b> 1.75 bar	<b>Pxx</b> Customized

### FILTER ELEMENT

<b>Element series and size</b>	Configuration example 1:	<b>MF400</b>	<b>1</b>	<b>A25</b>	<b>H</b>	<b>B</b>	<b>P01</b>	
<b>MF400</b> Filter element with standard spigot	Configuration example 2:	<b>MF400</b>	<b>2</b>	<b>P10</b>	<b>N</b>	<b>V</b>	<b>E</b>	<b>P01</b>
<b>Element length</b>								
<b>1</b>   <b>2</b>   <b>3</b>								
<b>Filtration rating (filter media)</b>								
<b>A03</b> Inorganic microfiber 3 µm	<b>M25</b> Wire mesh 25 µm							
<b>A06</b> Inorganic microfiber 6 µm	<b>M60</b> Wire mesh 60 µm							
<b>A10</b> Inorganic microfiber 10 µm	<b>M90</b> Wire mesh 90 µm							
<b>A16</b> Inorganic microfiber 16 µm	<b>P10</b> Resin impregnated paper 10 µm							
<b>A25</b> Inorganic microfiber 25 µm	<b>P25</b> Resin impregnated paper 25 µm							

Element Δp	Filter media			Seals	Bypass valve	Execution
	Axx	Mxx	Pxx			
<b>N</b> 10 bar	-	•	•	<b>B</b> NBR	<b>E</b> 3 bar	<b>P01</b> MP Filtri standard
<b>H</b> 10 bar	•	-	-	<b>V</b> FPM	- 1.75 bar	<b>Pxx</b> Customized

### CLOGGING INDICATORS

See page 680-681

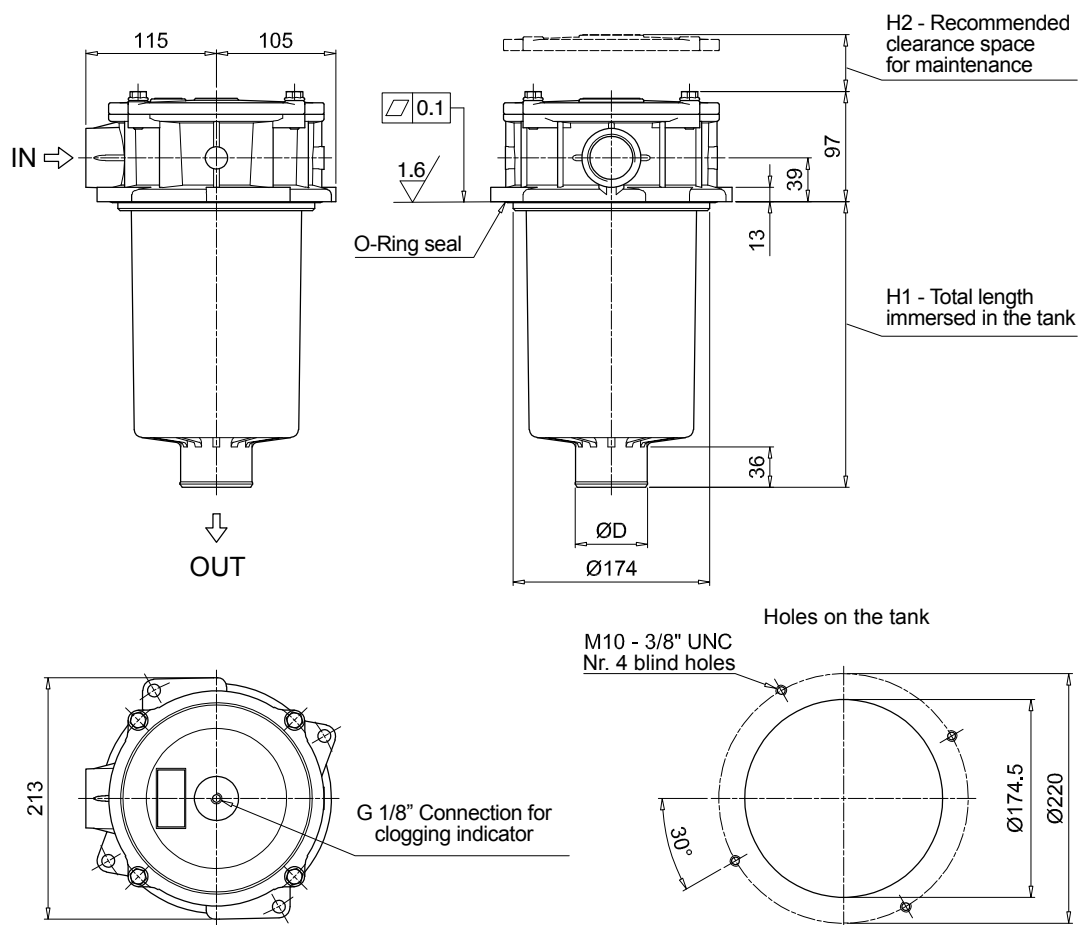
<b>BVA</b> Axial pressure gauge	<b>BEA</b> Electrical pressure indicator
<b>BVR</b> Radial pressure gauge	<b>BEM</b> Electrical pressure indicator
<b>BVP</b> Visual pressure indicator with automatic reset	<b>BLA</b> Electrical / visual pressure indicator
<b>BVQ</b> Visual pressure indicator with manual reset	

### ADDITIONAL FEATURES

See page 262

<b>Sxx</b> Extension tube
<b>T5</b> Filler plug M30x1.5

MPF400			
Filter length	H1 [mm]	H2 [mm]	D [mm]
<b>1</b>	180	210	51
<b>2</b>	240	270	64
<b>3</b>	290	315	64



## Designation & Ordering code

### COMPLETE FILTER

<b>Series and size</b>	Configuration example 1:	MPF410	1	A	G1	1	A25	H	B	P01
<b>MPF410</b> Filter element with standard spigot	Configuration example 2:	MPF410	1	V	G4	1	P10	N	E	P01
<b>Length</b>										
1   2   3										
<b>Seals and treatments</b>										
<b>A</b> NBR										
<b>V</b> FPM										
<b>W</b> NBR head anodized										
<b>Z</b> FPM head anodized										
<b>Main Connections</b>	<b>Aux size 1</b>									
<b>G1</b> G 1 1/4"	G 1"									
<b>G4</b> 1 1/4" NPT	1" NPT									
<b>G7</b> SAE 20 - 1 5/8" - 12 UN	SAE 16 - 1 5/16" - 12 UN									
<b>Aux connection</b> - see previous table										
<b>1</b> Aux size 1										
<b>Filtration rating (filter media)</b>										
<b>A03</b> Inorganic microfiber 3 µm	<b>M25</b> Wire mesh 25 µm									
<b>A06</b> Inorganic microfiber 6 µm	<b>M60</b> Wire mesh 60 µm									
<b>A10</b> Inorganic microfiber 10 µm	<b>M90</b> Wire mesh 90 µm									
<b>A16</b> Inorganic microfiber 16 µm	<b>P10</b> Resin impregnated paper 10 µm									
<b>A25</b> Inorganic microfiber 25 µm	<b>P25</b> Resin impregnated paper 25 µm									
All filter media except M60, P10 and P25 are compatible with fluids HFA, HFB and HFC										
<b>Element Δp</b>	<b>Filter media</b>			<b>Bypass valve</b>			<b>Execution</b>			
<b>N</b> 10 bar	<b>Axx</b>	<b>Mxx</b>	<b>Pxx</b>	<b>E</b> 3 bar	<b>P01</b> MP Filtri standard					
<b>H</b> 10 bar	•	-	-	<b>B</b> 1.75 bar	<b>Pxx</b> Customized					

### FILTER ELEMENT

<b>Element series and size</b>	Configuration example 1:	MF400	1	A25	H	B	P01		
<b>MF400</b> Filter element with standard spigot	Configuration example 2:	MF400	1	P10	N	V	E	P01	
<b>Element length</b>									
1   2   3									
<b>Filtration rating (filter media)</b>									
<b>A03</b> Inorganic microfiber 3 µm	<b>M25</b> Wire mesh 25 µm								
<b>A06</b> Inorganic microfiber 6 µm	<b>M60</b> Wire mesh 60 µm								
<b>A10</b> Inorganic microfiber 10 µm	<b>M90</b> Wire mesh 90 µm								
<b>A16</b> Inorganic microfiber 16 µm	<b>P10</b> Resin impregnated paper 10 µm								
<b>A25</b> Inorganic microfiber 25 µm	<b>P25</b> Resin impregnated paper 25 µm								
<b>Element Δp</b>	<b>Filter media</b>			<b>Seals</b>		<b>Bypass valve</b>		<b>Execution</b>	
<b>N</b> 10 bar	<b>Axx</b>	<b>Mxx</b>	<b>Pxx</b>	<b>B</b> NBR	<b>E</b> 3 bar	<b>P01</b> MP Filtri standard			
<b>H</b> 10 bar	•	-	-	<b>V</b> FPM	- 1.75 bar	<b>Pxx</b> Customized			

### CLOGGING INDICATORS

See page 680-681

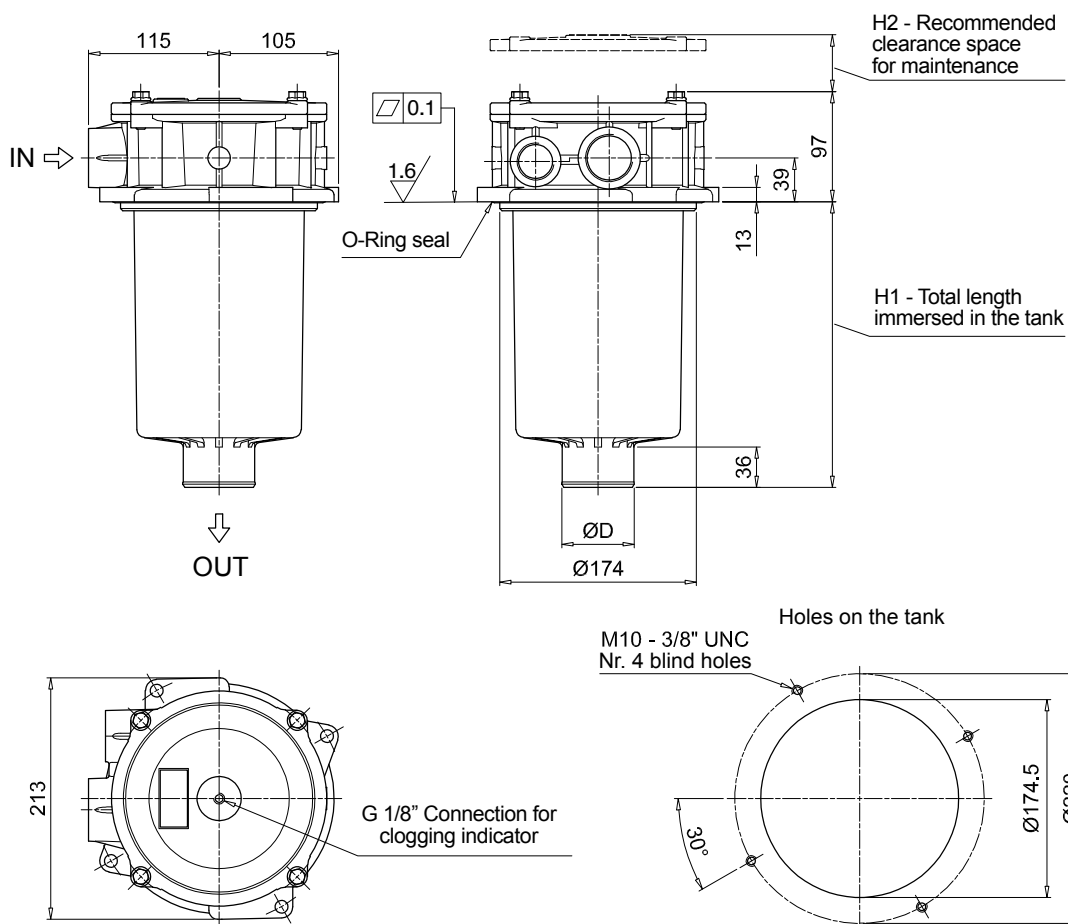
<b>BVA</b> Axial pressure gauge	<b>BEA</b> Electrical pressure indicator
<b>BVR</b> Radial pressure gauge	<b>BEM</b> Electrical pressure indicator
<b>BVP</b> Visual pressure indicator with automatic reset	<b>BLA</b> Electrical / visual pressure indicator
<b>BVQ</b> Visual pressure indicator with manual reset	

### ADDITIONAL FEATURES

See page 262

<b>Sxx</b> Extension tube
<b>T5</b> Filler plug M30x1.5

MPF410			
Filter length	H1 [mm]	H2 [mm]	D [mm]
<b>1</b>	180	210	51
<b>2</b>	240	270	64
<b>3</b>	290	315	64



# MPF MPF450 - MPF451 - MPF750

## Designation & Ordering code

### COMPLETE FILTER

<b>Series and size</b>	Configuration example 1:	<b>MPF450</b>	<b>1</b>	<b>A</b>	<b>G1</b>	<b>A25</b>	<b>H</b>	<b>B</b>	<b>P01</b>	
<b>MPF450</b>   <b>MPF451</b>   <b>MPF750</b>	Filter element with standard spigot	Configuration example 2:	<b>MPF750</b>	<b>1</b>	<b>V</b>	<b>F2</b>	<b>P10</b>	<b>N</b>	<b>E</b>	<b>P01</b>

Length	MPF 450	MPF 451	MPF 750
<b>1</b>	•	•	•
<b>2</b>	•	•	-
<b>3</b>	•	•	-

Seals and treatments	
<b>A</b> NBR	<b>W</b> NBR head anodized
<b>V</b> FPM	<b>Z</b> FPM head anodized

Connections	Aux (only size 451)
<b>G1</b> G 2"	G 3/4"
<b>G4</b> 2" NPT	3/4" NPT
<b>G7</b> SAE 32 - 2 1/2" - 12 UN	SAE 12 - 1 1/16" - 12 UN
<b>F1</b> 2" SAE 3000 psi/M	G 3/4"
<b>F2</b> 2" SAE 3000 psi/UNC	3/4" NPT

Filtration rating (filter media)	
<b>A03</b> Inorganic microfiber 3 µm	<b>M25</b> Wire mesh 25 µm
<b>A06</b> Inorganic microfiber 6 µm	<b>M60</b> Wire mesh 60 µm
<b>A10</b> Inorganic microfiber 10 µm	<b>M90</b> Wire mesh 90 µm
<b>A16</b> Inorganic microfiber 16 µm	<b>P10</b> Resin impregnated paper 10 µm
<b>A25</b> Inorganic microfiber 25 µm	<b>P25</b> Resin impregnated paper 25 µm

All filter media except M60, P10 and P25 are compatible with fluids HFA, HFB and HFC

Element Δp	Filter media		
	Axx	Mxx	Pxx
<b>N</b> 10 bar	-	•	•
<b>H</b> 10 bar	•	-	-

Bypass valve	Execution
<b>E</b> 3 bar	<b>P01</b> MP Filtri standard
<b>B</b> 1.75 bar	<b>Pxx</b> Customized

### FILTER ELEMENT

<b>Element series and size</b>	Configuration example 1:	<b>MF400</b>	<b>1</b>	<b>A25</b>	<b>H</b>	<b>B</b>	<b>P01</b>		
<b>MF400</b>   <b>IMF750</b>	Filter element with standard spigot	Configuration example 2:	<b>MFX750</b>	<b>1</b>	<b>P10</b>	<b>N</b>	<b>V</b>	<b>E</b>	<b>P01</b>

Element length	MPF 450	MPF 451	MPF 750
<b>1</b>	•	•	•
<b>2</b>	•	•	-
<b>3</b>	•	•	-

Filtration rating (filter media)	
<b>A03</b> Inorganic microfiber 3 µm	<b>M25</b> Wire mesh 25 µm
<b>A06</b> Inorganic microfiber 6 µm	<b>M60</b> Wire mesh 60 µm
<b>A10</b> Inorganic microfiber 10 µm	<b>M90</b> Wire mesh 90 µm
<b>A16</b> Inorganic microfiber 16 µm	<b>P10</b> Resin impregnated paper 10 µm
<b>A25</b> Inorganic microfiber 25 µm	<b>P25</b> Resin impregnated paper 25 µm

Element Δp	Filter media		
	Axx	Mxx	Pxx
<b>N</b> 10 bar	-	•	•
<b>H</b> 10 bar	•	-	-

Seals	Bypass valve	Execution
<b>B</b> NBR	<b>E</b> 3 bar	<b>P01</b> MP Filtri standard
<b>V</b> FPM	- 1.75 bar	<b>Pxx</b> Customized

### CLOGGING INDICATORS

See page 680-681

<b>BVA</b> Axial pressure gauge
<b>BVR</b> Radial pressure gauge
<b>BVP</b> Visual pressure indicator with automatic reset
<b>BVQ</b> Visual pressure indicator with manual reset

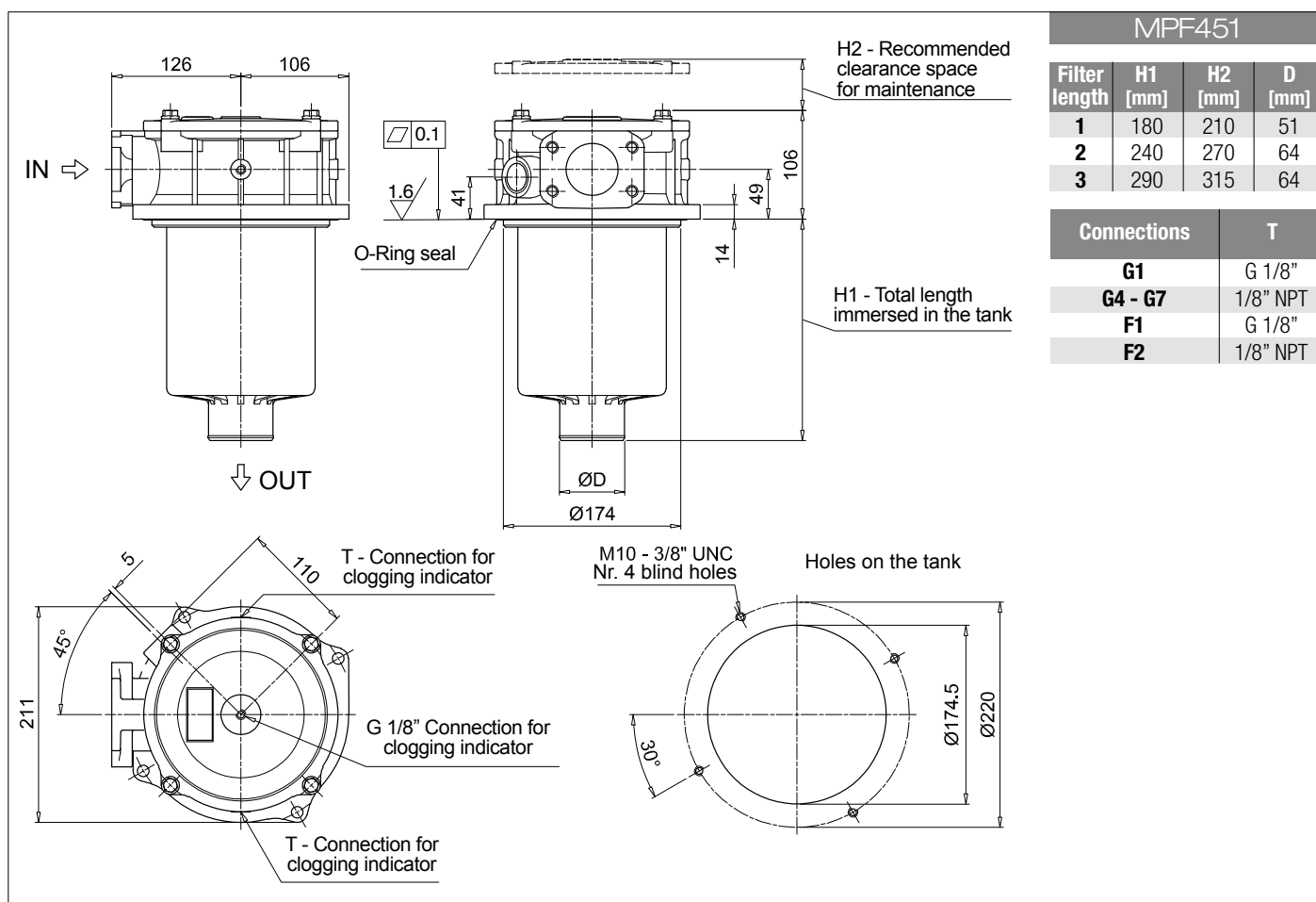
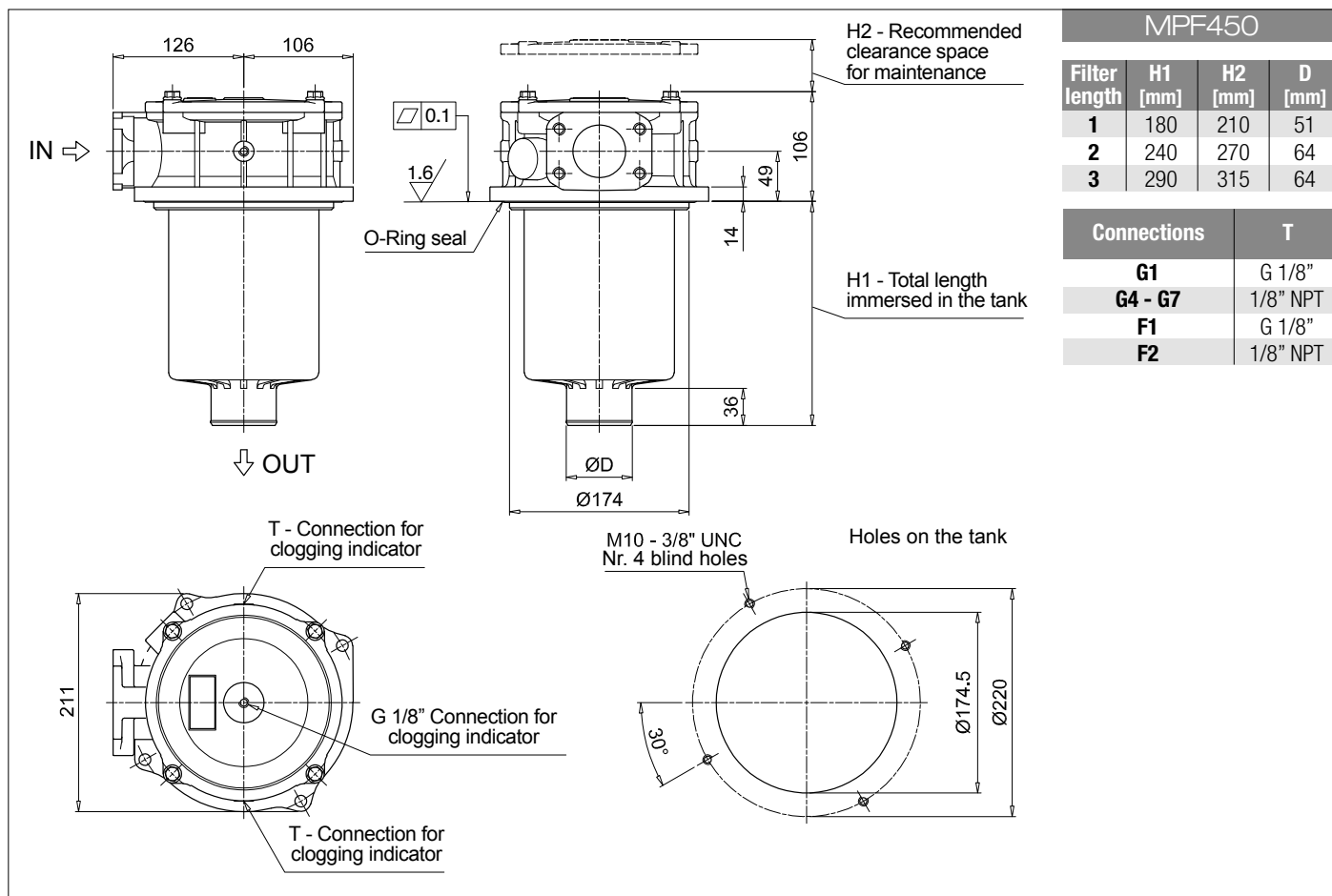
<b>BEA</b> Electrical pressure indicator
<b>BEM</b> Electrical pressure indicator
<b>BLA</b> Electrical / visual pressure indicator

### ADDITIONAL FEATURES

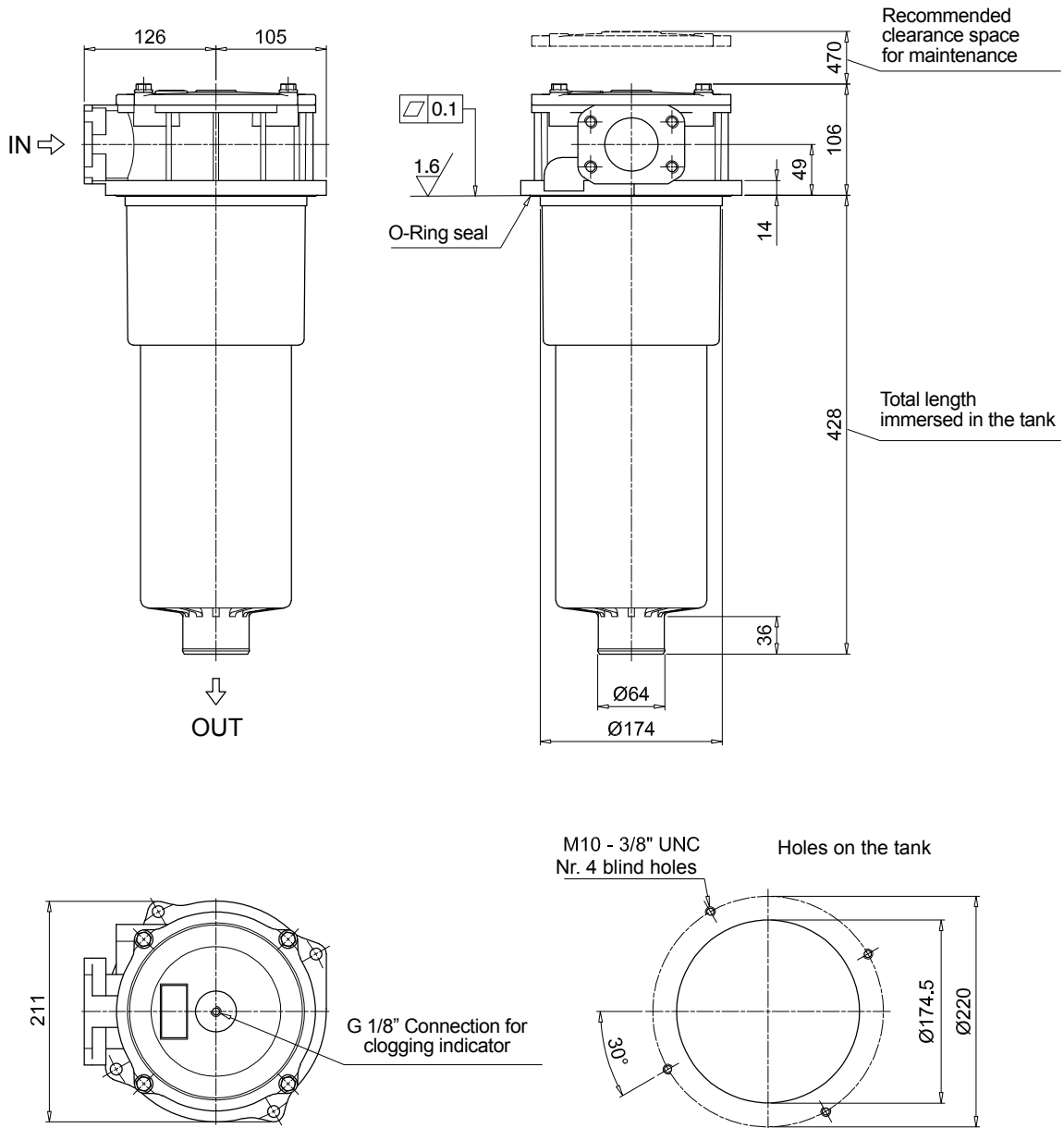
See page 262

<b>Sxx</b> Extension tube
<b>T5</b> Filler plug M30x1.5





MPF750



**MPF 100**

**MPF 181**

**O-RING SEAL**

Item:	Q.ty: 1 pc. <b>2</b>	Q.ty: 1 pc. <b>3</b> (3a ÷ 3d)		
	Filter series	Filter element	Seal Kit code number NBR      FPM	
<b>MPF 030</b>	See order table		02050055	02050056
<b>MPF 100-110</b>			02050057	02050058
<b>MPF 181-182</b>			02050059	02050060
<b>MPF 184</b>			02050455	02050456
<b>MPF 191-192</b>			02050457	02050458
<b>MPF 194</b>			02050459	02050460
<b>MPF 400-410</b>			02050061	02050062
<b>MPF 450-451</b>			02050461	02050462
<b>MPF 750</b>			02050106	02050107

**MPF 104**

**MPF 181**

**FLAT SEAL**

Item:	Q.ty: 1 pc. <b>2</b>	Q.ty: 1 pc. <b>3</b> (3a ÷ 3d)		
	Filter series	Filter element	Seal Kit code number NBR      FPM	
<b>MPF 020</b>	See order table		02050438	02050439
<b>MPF 104</b>			02050350	02050408
<b>MPF 181-182</b>			02050659	02050660
<b>MPF 191-192</b>			02050661	02050662

# Accessories

## POLYAMIDE EXTENSION TUBE

H1 - Total length immersed in the tank

Configuration example: **TE** **40** **A** **250**

Series	Size	Material	Length	H [mm]
<b>TE</b>			<b>200</b>	200
	<b>25</b>	<b>A</b> Polyamide	<b>250</b>	250
	<b>32</b>		<b>300</b>	300
	<b>40</b>		<b>350</b>	350
			<b>400</b>	400
			<b>450</b>	450
			<b>500</b>	500

COMPATIBILITY TABLE															
Filter series	Filter size			Filter length	Tube length										
					TE25	TE32	TE40	200	250	300	350	400	450	500	
MPF - MPFX	30			1	•	-	-	266	316	366	416	466	516	566	
MPF	100	104	110	1	-	•	-	275	325	375	425	475	525	575	
				2	-	-	-	322	372	422	472	522	572	622	
				3	-	-	•	400	450	500	550	600	650	700	
				4	-	-	-	502	552	602	652	702	752	802	
MPFX	100	104	110	1	-	-	•	277	327	377	427	477	527	577	
				2	-	-	-	322	372	422	472	522	572	622	
				3	-	-	•	400	450	500	550	600	650	700	
				4	-	-	-	502	552	602	652	702	752	802	
MPF MPFX	181	182	184	1	-	-	•	410	460	510	560	610	660	710	
				2	-	-	-	623	673	723	773	823	873	923	
MPT MPTX	025		027	1	•	-	-	278	328	378	428	478	528	578	
				2	-	-	-	342	392	442	492	542	592	642	
				3	-	-	-	380	430	480	530	580	630	680	
MPT	110	114	116	120	1	-	•	-	273	323	373	423	473	523	573
					2	-	-	-	320	370	420	470	520	570	620
					3	-	-	•	396	446	496	546	596	646	696
					4	-	-	-	498	548	598	648	698	748	798
MPTX	110	114	116	120	1	-	-	•	273	323	373	423	473	523	573
					2	-	-	-	318	368	418	468	518	568	618
					3	-	-	-	396	446	496	546	596	646	696
					4	-	-	-	498	548	598	648	698	748	798

## STEEL EXTENSION TUBE

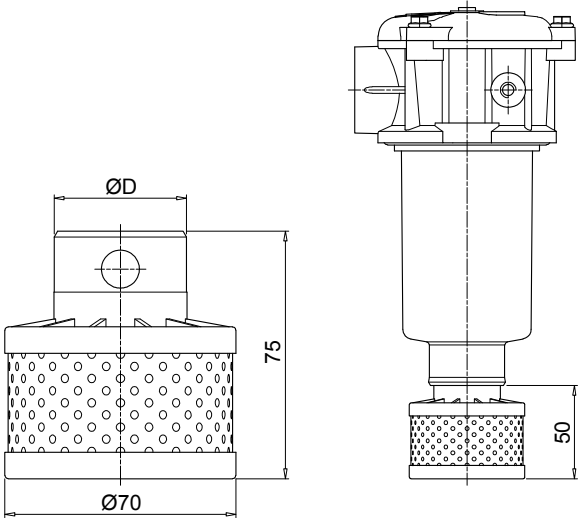
H1

Configuration example: **MPF191** **2** **A** **F1** **A10** **H** **B** **S60**

Length	H1 [mm]
<b>S30</b>	300
<b>S35</b>	350
<b>S40</b>	400
<b>S45</b>	450
<b>S50</b>	500
<b>S60</b>	600
<b>S70</b>	700
<b>S80</b>	800
<b>S90</b>	900

COMPATIBILITY TABLE							
Filter series	Filter size			Filter length	ø D [mm]		
					52	65	
MPF	191	192	194	2	•	-	
	400	410	450	451	1	•	-
					2	-	•
					3	-	-
	750			1	-	•	

## DIFFUSER WITH FAST LOCK CONNECTION

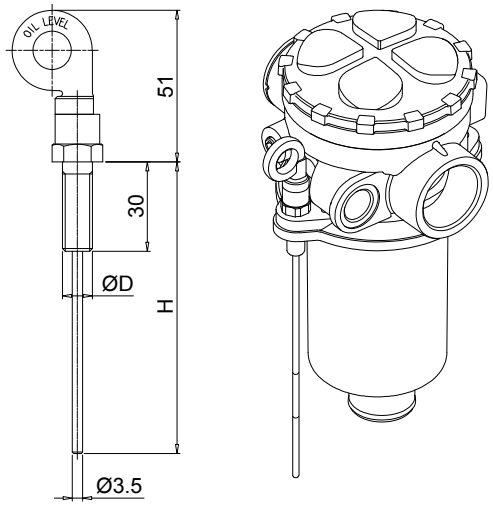


Configuration example: **DFS 32 A 075**

Series		<b>DFS</b>
Size	ø D [mm]	
<b>32</b>	32	
<b>40</b>	40	
Version		<b>A</b> Standard
Length		<b>075</b> Standard

COMPATIBILITY TABLE							
Filter series	Filter size			Filter Length	DFS32	DFS40	
MPF	100	104	110	1	•	-	
				2	-	-	
				3	-	•	
				4	-	•	
MPFX	100	104	110	1	-	•	
				2	-	•	
				3	-	•	
				4	-	•	
MPT	110	114	116	120	1	•	-
					2	-	-
					3	-	•
					4	-	•
MPTX	110	114	116	120	1	-	•
					2	-	•
					3	-	•
					4	-	•

## DIPSTICK



Configuration example: **DPT 20 M10 A P01**

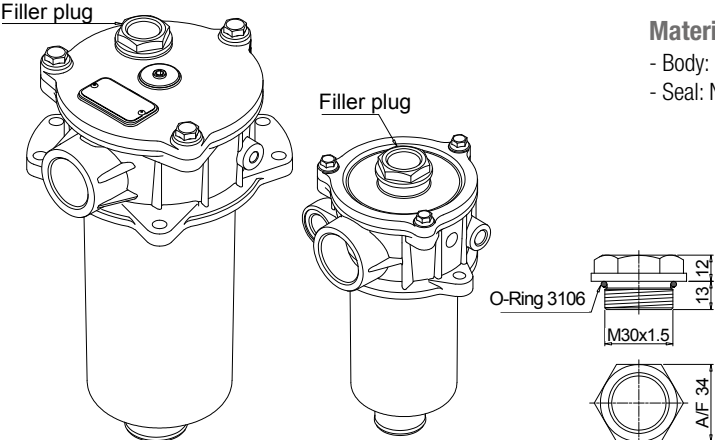
Series		<b>DPT</b>
Length	H [mm]	
<b>15</b>	134	
<b>20</b>	184	
<b>25</b>	234	
<b>30</b>	284	
<b>35</b>	334	

Materials  
 - Screw: phosphatized steel  
 - Stick: phosphatized steel  
 - Handle: Polyamide

Technical data  
 Working temperature: from -25 °C to +110 °C

Fastening		<b>M8</b> Fastening with screws ø D = M8 <b>M10</b> Fastening with screws ø D = M10
Seals		<b>A</b> NBR <b>V</b> FPM
Execution		<b>P01</b> MP Filtri standard <b>Pxx</b> Customized

## FILLER PLUG



Materials  
 - Body: Polyamide  
 - Seal: NBR

Technical data  
 Tightening torque: 15 N·m

O-Ring 3106  
 M30x1.5  
 13 12  
 A/F 34

For any further information, please, contact our commercial dept.