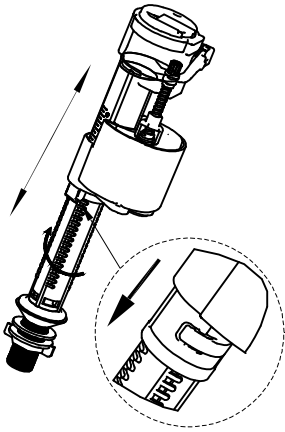
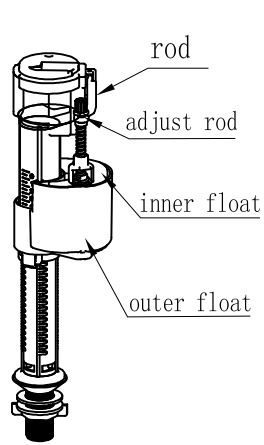


# A110 INSTRUCTION

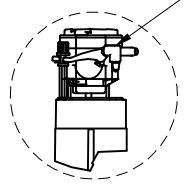
1、Fill vavle height adjustment



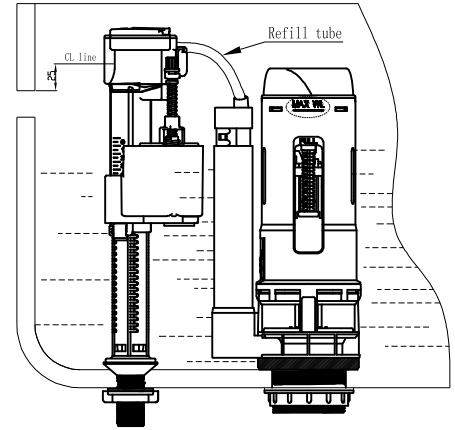
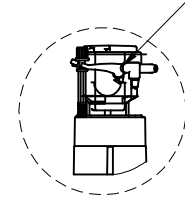
2、Water level adjust



Rod-filling status

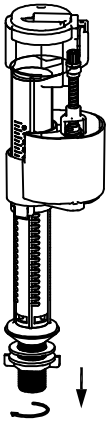


rod-sealed status

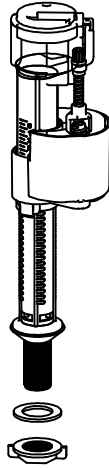


3、Install and disassemble the fill vavle in tank

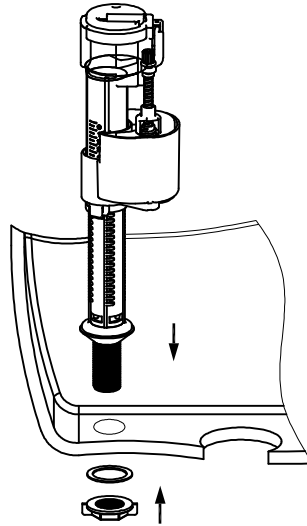
①



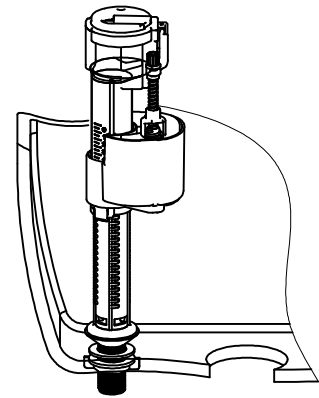
②



③

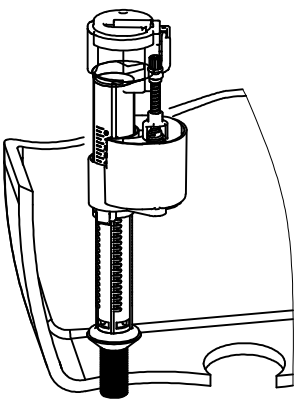


④

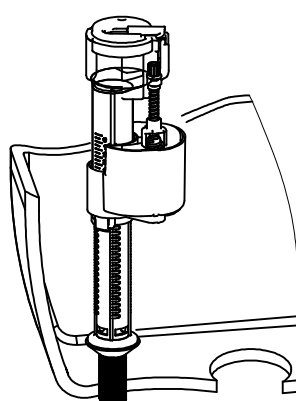


4、Fill valve cleanning-when fill valve can't fill or can't seal, please clean fill valve as per following

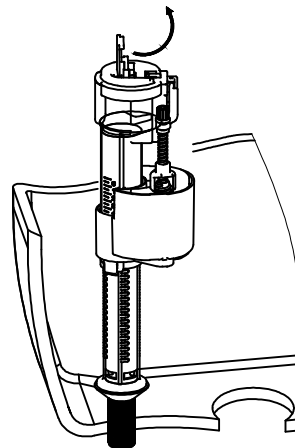
①



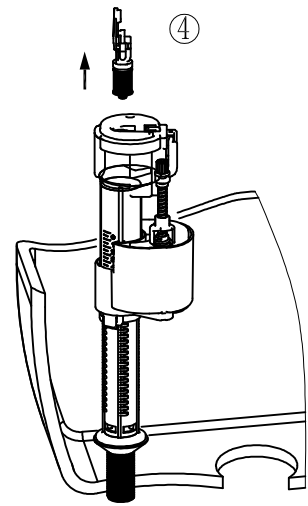
②



③



④



1. Model: A110

2. Brand: NUCA

3. Manufacture: Compas (Xiamen) Plumbing Technology Co., Ltd.