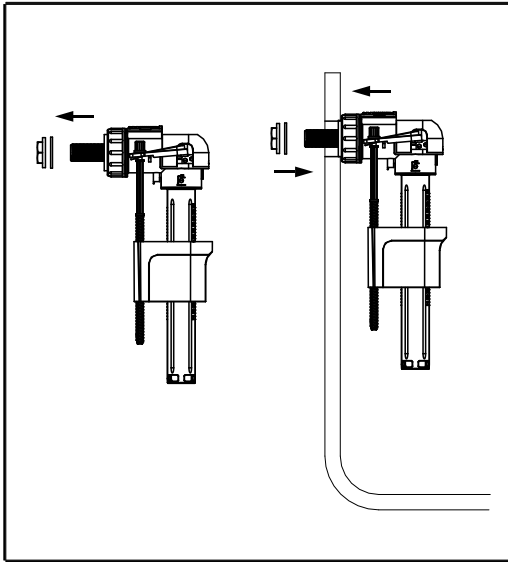


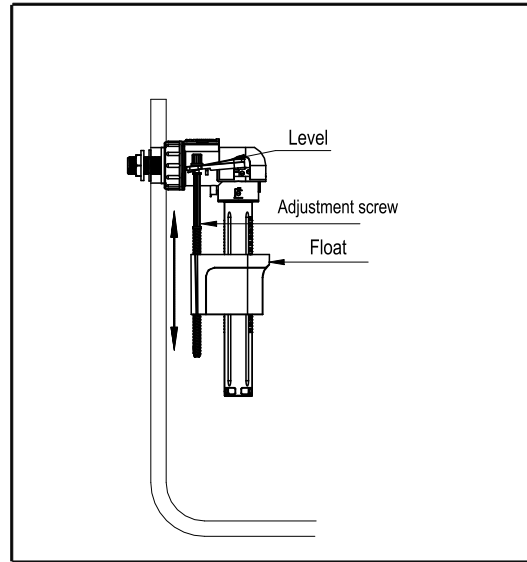
# Anti-dirty Side Fill Valve Instruction

## 1. Fill valve installation



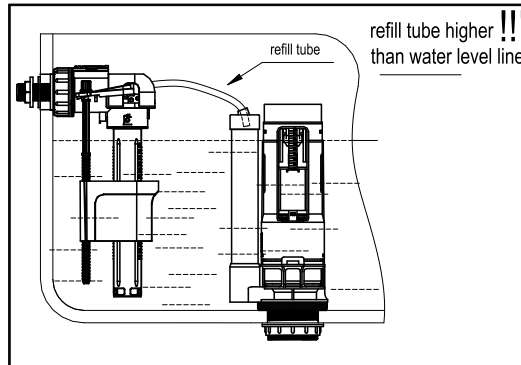
Installed the fill valve into the tank.  
Screw the valve shank clockwise and pull the valve body to the correct height.

## 2. Fill valve height adjustment



Water level adjustment: turn the adjustment screw by hand or with screw driver, move the float properly. The higher the float is, the higher the water level is.

## Refill tube installation



## Cleaning of fill valve

When the fill valve does not enter water or stop water, please clean it according to right pictures

Hold down the lock and remove the key	Remove the filter with the key	Clean the filter
<p>key                      lock</p> 