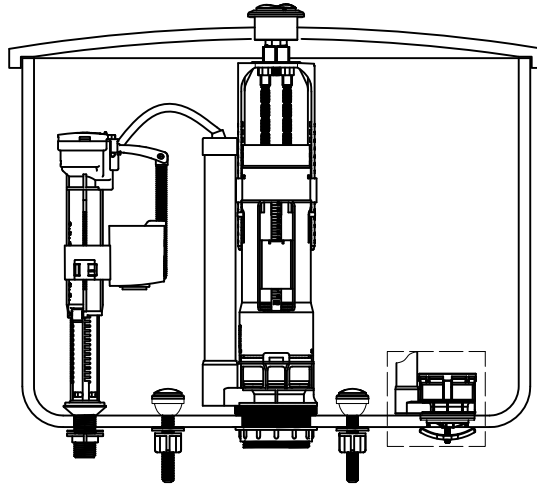


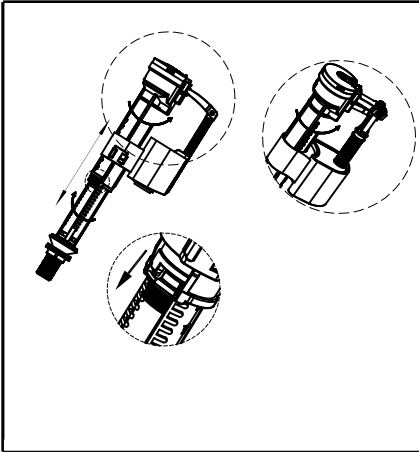
# Installation Instruction

## Profile

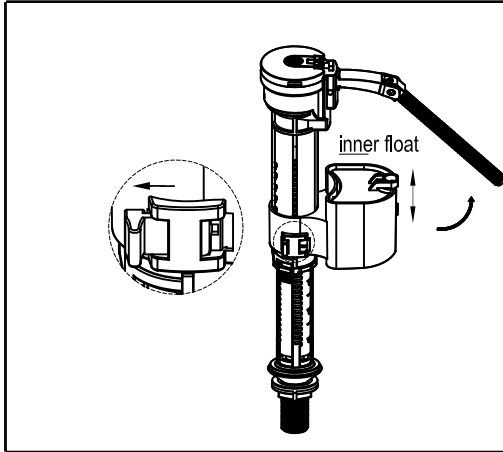


## Fill Valve

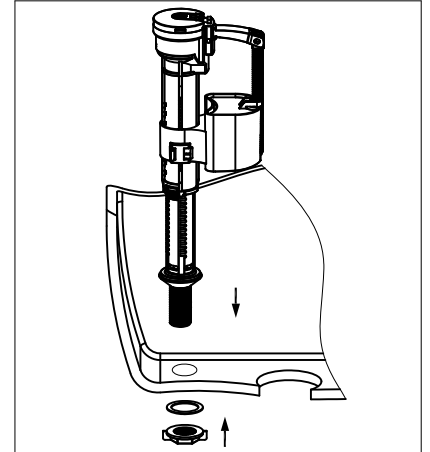
### 1. Fill valve height adjustment



### 2. Adjust water level

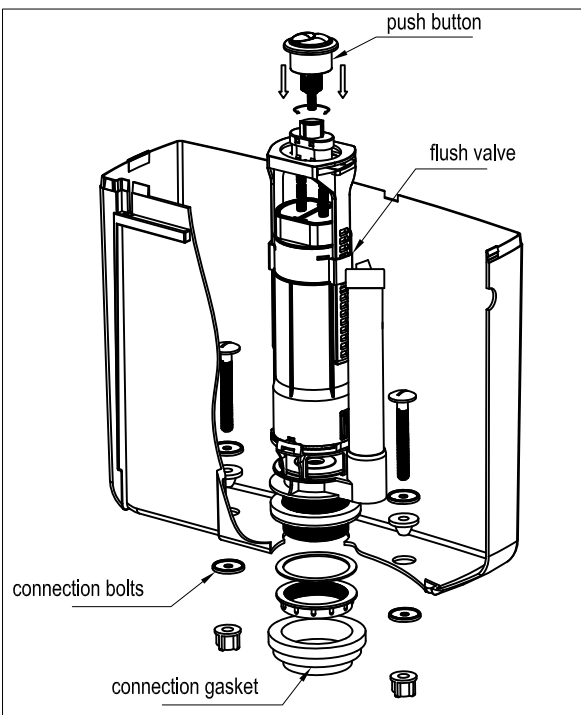


### 3. Install fill valve into tank

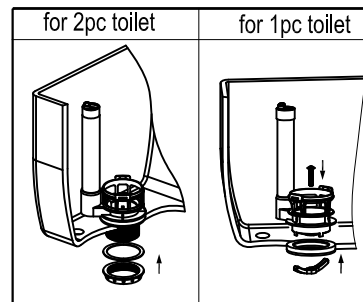


## Flush Valve

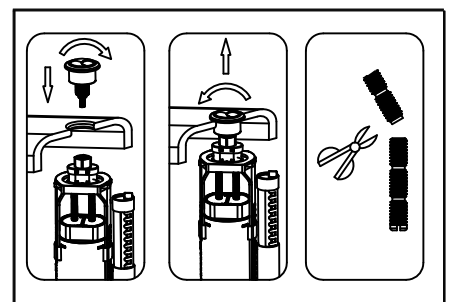
### 1. profile of flush valve, button and spare parts



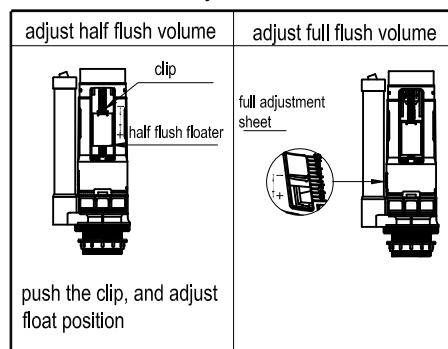
### 2. Install flush base



### 3. Install push button



### 4. flush volume adjustment



### 5. Install refill tube

