

MPS series

Maximum working pressure up to 1.2 MPa (12 bar) - Flow rate up to 365 l/min



Description

Technical data

Spin-on filters

Maximum working pressure up to 1.2 MPa (12 bar)

Flow rate up to 365 l/min

MPS is a range of spin-on filters suitable to be used in suction, return and low pressure lines.

They offer a good balance between performances, dimensions and prices. They are directly connected to the lines of the system through the hydraulic fittings.

Available features:

- Female threaded connections up to 1 1/2" and flanged connections up to 1 1/2", for a maximum flow rate of 365 l/min
- Fine filtration rating, to get a good cleanliness level into the reservoir
- Water removal elements (CW), to remove the free water from the hydraulic fluid
- Double connection for the cans, to fit both European and American standard elements
- Double cans fitting, to increase the life time of the filter
- Bypass valve, to relieve excessive pressure drop across the filter media
- Visual, electrical and electronic clogging indicators for suction and return applications
- Visual, electrical and electronic differential clogging indicators for low pressure applications

Common applications:

- Suction lines, Return lines, Delivery lines, in economic industrial equipment or mobile machines.
- Off-line filtration tank in economic industrial equipment or mobile machines

Filter housing materials

- Head: Aluminium
- Bypass valve: Polyamide - Steel
- Element: Zinc-Plated Steel - Painted steel

Bypass valve

- Inline / Return filter opening pressure: 175 kPa (1.75 bar) $\pm 10\%$
- Inline / Suction filter opening pressure: 30 kPa (0.3 bar) $\pm 10\%$

Δp element type

- Δp : 5 bar
- Fluid flow through the filter element from OUT to IN

Seals

Standard NBR - series A

Temperature

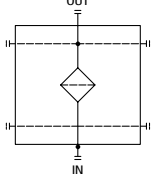
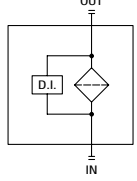
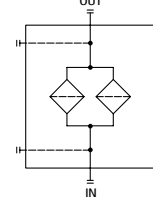
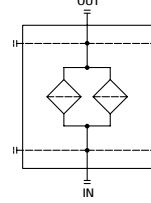
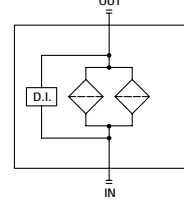
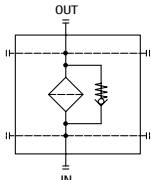
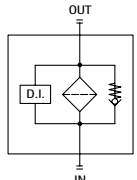
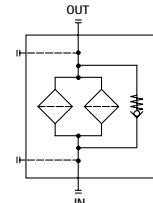
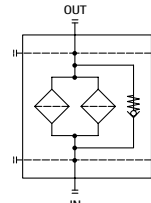
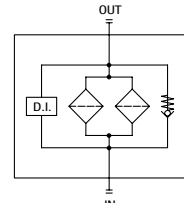
From -20 °C to +110 °C

Note

MPS filters are provided for vertical mounting

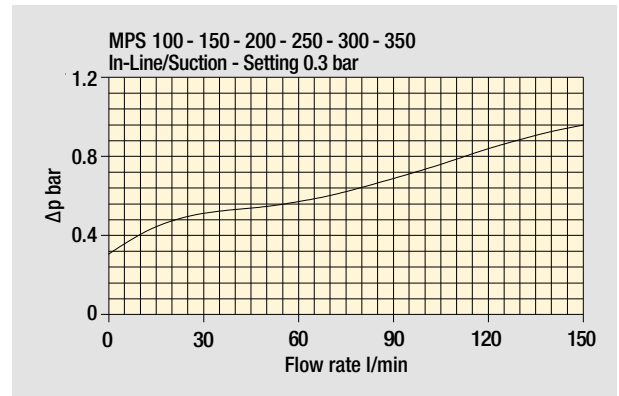
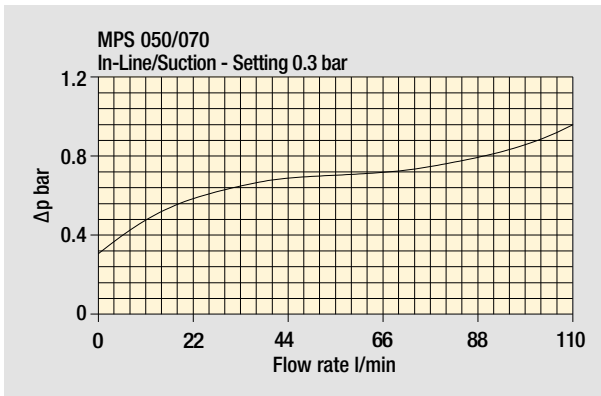
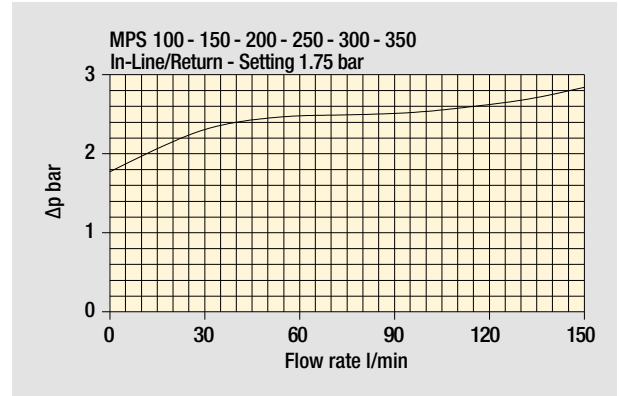
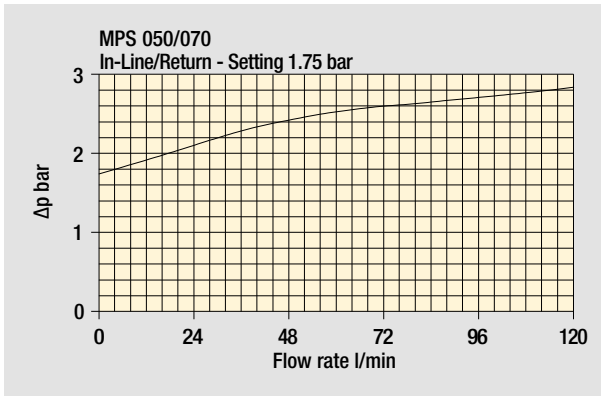
Weights [kg] and volumes [dm³]

Filter series	Weights [kg]	Volumes [dm ³]
MPS 050	1.00	0.70
MPS 051	1.05	0.70
MPS 070	1.20	0.95
MPS 071	1.25	0.95
MPS 100	2.10	1.65
MPS 101	2.20	1.65
MPS 150	2.40	2.00
MPS 151	2.50	2.00
MPS 200	3.90	3.00
MPS 250	4.60	3.70
MPS 300-301	5.30	3.40
MPS 350-351	6.00	4.10

Filter series					
MPS 050	•	-	-	-	-
MPS 051	-	•	-	-	-
MPS 070	•	-	-	-	-
MPS 071	-	•	-	-	-
MPS 100	•	-	-	-	-
MPS 101	-	•	-	-	-
MPS 150	•	-	-	-	-
MPS 151	-	•	-	-	-
MPS 200	-	-	•	-	-
MPS 250	-	-	•	-	-
MPS 300	-	-	-	•	-
MPS 301	-	-	-	-	•
MPS 350	-	-	-	•	-
MPS 351	-	-	-	-	•
	Style U/P	Style U/P	Style U	Style U/P	Style U/P
					
	Style R/S	Style R/S	Style R/S	Style R/S	Style R/S
					

Pressure drop

Bypass valve
pressure drop

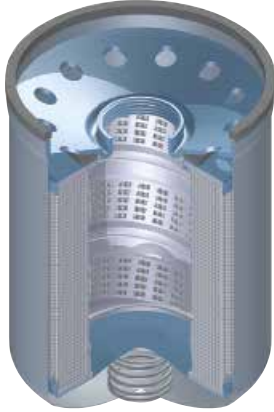


The curves are plotted using mineral oil with density of 0.86 kg/dm³ in compliance with ISO 3968. Δp varies proportionally with density.

CS 050 - 070 - 100 - 150
CG - CW 050 - 070



CG - CW 100 - 150



CW
 This series of cartridge removes water from oil while filtering the oil at the same time. Water absorbent polymers up to 800 times their own weight provide this major feature.

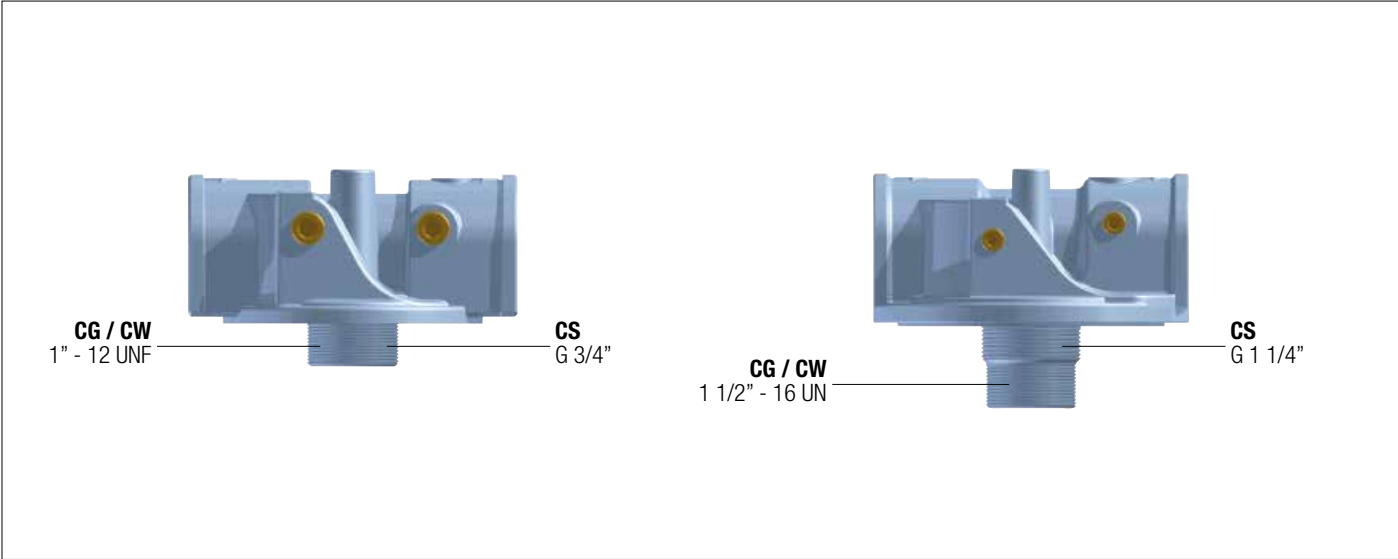
Water holding capacities:
 CW 050= 240 ml
 Ordering code: **CW050P10AP01**

CW 150= 788 ml
 Ordering code: **CW150P10AP01**

Thread connections	
Element	Connection
CS 050 - 070	G 3/4"
CS 100 - 150	G 1 1/4"
CG / CW 050 - 070	1" - 12 UNF
CG / CW 100 - 150	1 1/2" - 16 UN

Water holding capacities CW		
	good	poor
Viscosity	30/46 mm ² /s (cSt)	> 46 mm ² /s (cSt)
H ₂ O p.p.m.	600/800 p.p.m.	> 800 p.p.m.
Flow rate	CW050 7/15 l/min CW150 20/40 l/min	CW050 > 20 l/min CW150 > 50 l/min
Temperature	40/60 °C	< 30 °C

Heads



MPS MPS050 - MPS070 MPS051 - MPS071

Designation & Ordering code

COMPLETE FILTER

Series and size		Configuration example: MPS050 R G1 A10 A P01				
MPS050 MPS070	With connections for clogging indicators					
MPS051 MPS071	With connections for differential indicators					
Bypass valve		MPS 050 - 070	MPS 051 - 071			
R	Inline / Return: with bypass 1.75 bar	•	•			
S	Inline / Suction: with bypass 0.3 bar	•	-			
U	Without bypass	•	-			
P	Without bypass	-	•			
Connections						
G1	G 3/4"					
G2	3/4" NPT					
G3	SAE 12 - 1 1/16" - 12 UN					
Filtration rating (filter media)						
A03	Inorganic microfiber 3 µm	M25	Wire mesh 25 µm			
A06	Inorganic microfiber 6 µm	M60	Wire mesh 60 µm			
A10	Inorganic microfiber 10 µm	M90	Wire mesh 90 µm			
A25	Inorganic microfiber 25 µm	P10	Resin impregnated paper 10 µm			
		P25	Resin impregnated paper 25 µm			
		Seal	A NBR		Execution	P01 MP Filtri standard

CARTRIDGE

Cartridge series and size		Configuration example: CS050 A10 A P01				
CS050 CS070						
Filtration rating (filter media)						
A03	Inorganic microfiber 3 µm	M25	Wire mesh 25 µm			
A06	Inorganic microfiber 6 µm	M60	Wire mesh 60 µm			
A10	Inorganic microfiber 10 µm	M90	Wire mesh 90 µm			
A25	Inorganic microfiber 25 µm	P10	Resin impregnated paper 10 µm			
		P25	Resin impregnated paper 25 µm			
		Seals	A NBR		Execution	P01 MP Filtri standard Pxx Customized

CLOGGING INDICATORS

See page 684-685

Clogging indicators on RETURN line

BVA	Axial pressure gauge
BVR	Radial pressure gauge
BVP	Visual pressure indicator with automatic reset
BVQ	Visual pressure indicator with manual reset

BEA	Electrical pressure indicator
BEM	Electrical pressure indicator
BLA	Electrical / visual pressure indicator

Clogging indicators on SUCTION line

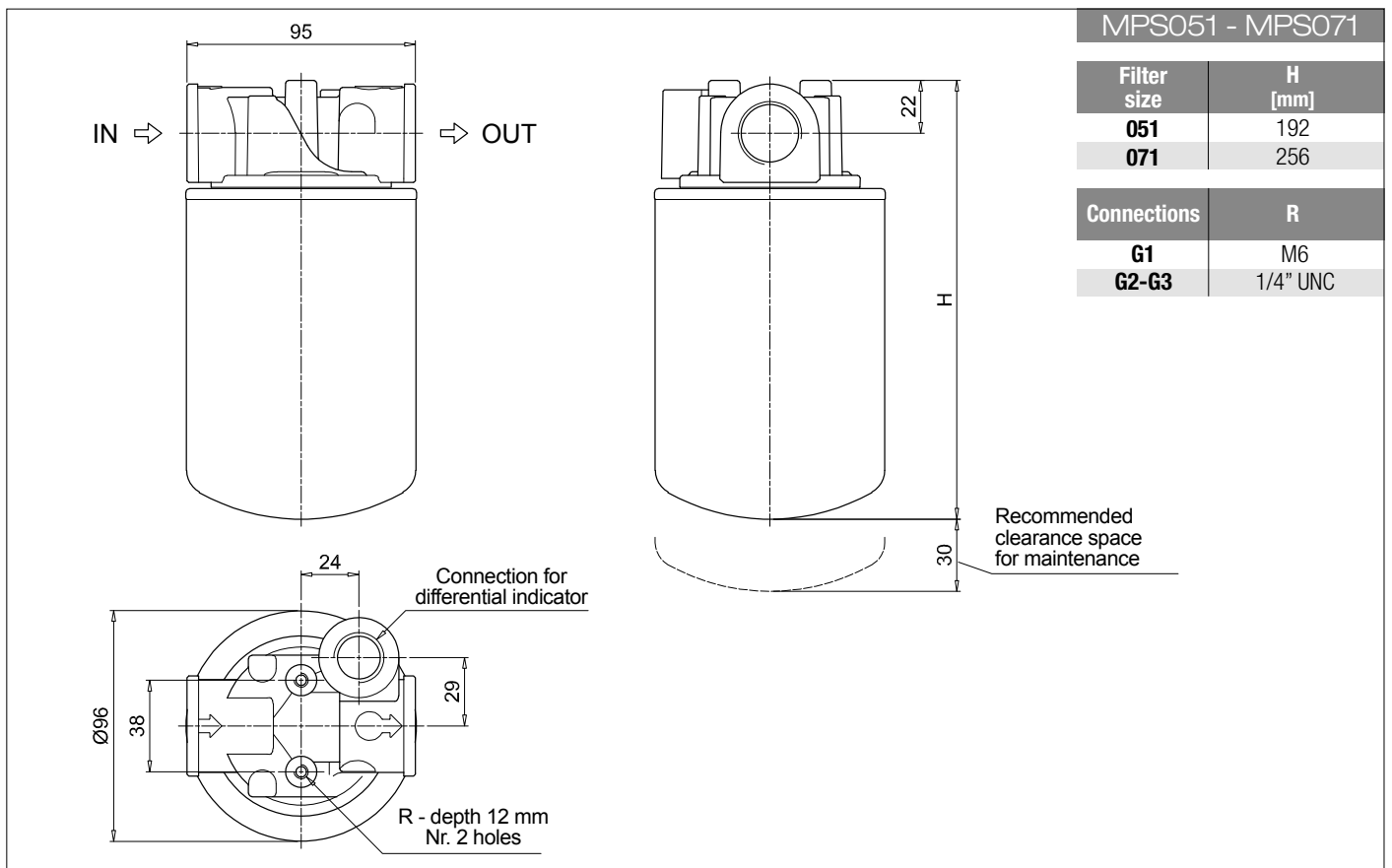
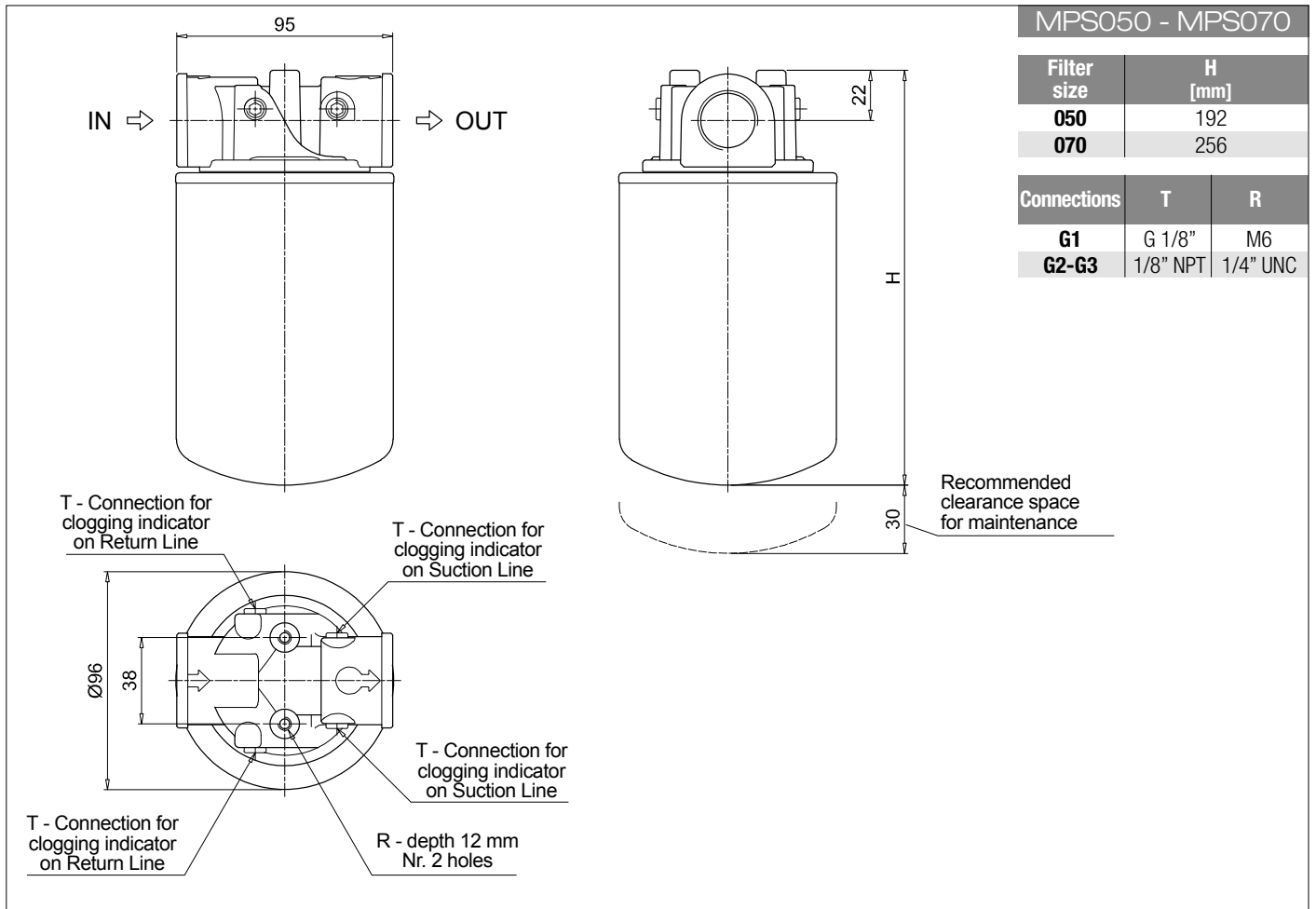
VVB	Axial pressure gauge
VVS	Radial pressure gauge

VEB	Electrical vacuum indicator
VLB	Electrical / visual vacuum indicator

Differential indicators

DEA	Electrical differential indicator
DEM	Electrical differential indicator
DLA	Electrical / visual differential indicator
DLE	Electrical / visual differential indicator

DTA	Electronic differential indicator
DVA	Visual differential indicator
DVM	Visual differential indicator



MPS MPS100 - MPS150 MPS101 - MPS151

Designation & Ordering code

COMPLETE FILTER

Series and size		Configuration example: MPS100 R G1 A10 A P01				
MPS100 MPS150	With connections for clogging indicators					
MPS101 MPS151	With connections for differential indicators					
Bypass valve		MPS 100 - 150	MPS 101 - 151			
R	Inline / Return: with bypass 1.75 bar	•	•			
S	Inline / Suction: with bypass 0.3 bar	•	-			
U	Without bypass	•	-			
P	Without bypass	-	•			
Connections						
G1	G 1 1/4"					
G2	1 1/4" NPT					
G3	SAE 20 - 1 5/8" - 12 UN					
Filtration rating (filter media)						
A03	Inorganic microfiber 3 µm					
A06	Inorganic microfiber 6 µm					
A10	Inorganic microfiber 10 µm					
A25	Inorganic microfiber 25 µm					
	M25 Wire mesh 25 µm					
	M60 Wire mesh 60 µm					
	M90 Wire mesh 90 µm					
	P10 Resin impregnated paper 10 µm					
	P25 Resin impregnated paper 25 µm					
				Seal		Execution
				A NBR		P01 MP Filtri standard

CARTRIDGE

Cartridge series and size		Configuration example: CS100 A10 A P01			
CS100 CS150					
Filtration rating (filter media)					
A03	Inorganic microfiber 3 µm				
A06	Inorganic microfiber 6 µm				
A10	Inorganic microfiber 10 µm				
A25	Inorganic microfiber 25 µm				
	M25 Wire mesh 25 µm				
	M60 Wire mesh 60 µm				
	M90 Wire mesh 90 µm				
	P10 Resin impregnated paper 10 µm				
	P25 Resin impregnated paper 25 µm				
				Seals	Execution
				A NBR	P01 MP Filtri standard Pxx Customized

CLOGGING INDICATORS

See page 684-685

Clogging indicators on RETURN line

BVA	Axial pressure gauge
BVR	Radial pressure gauge
BVP	Visual pressure indicator with automatic reset
BVQ	Visual pressure indicator with manual reset

BEA	Electrical pressure indicator
BEM	Electrical pressure indicator
BLA	Electrical / visual pressure indicator

Clogging indicators on SUCTION line

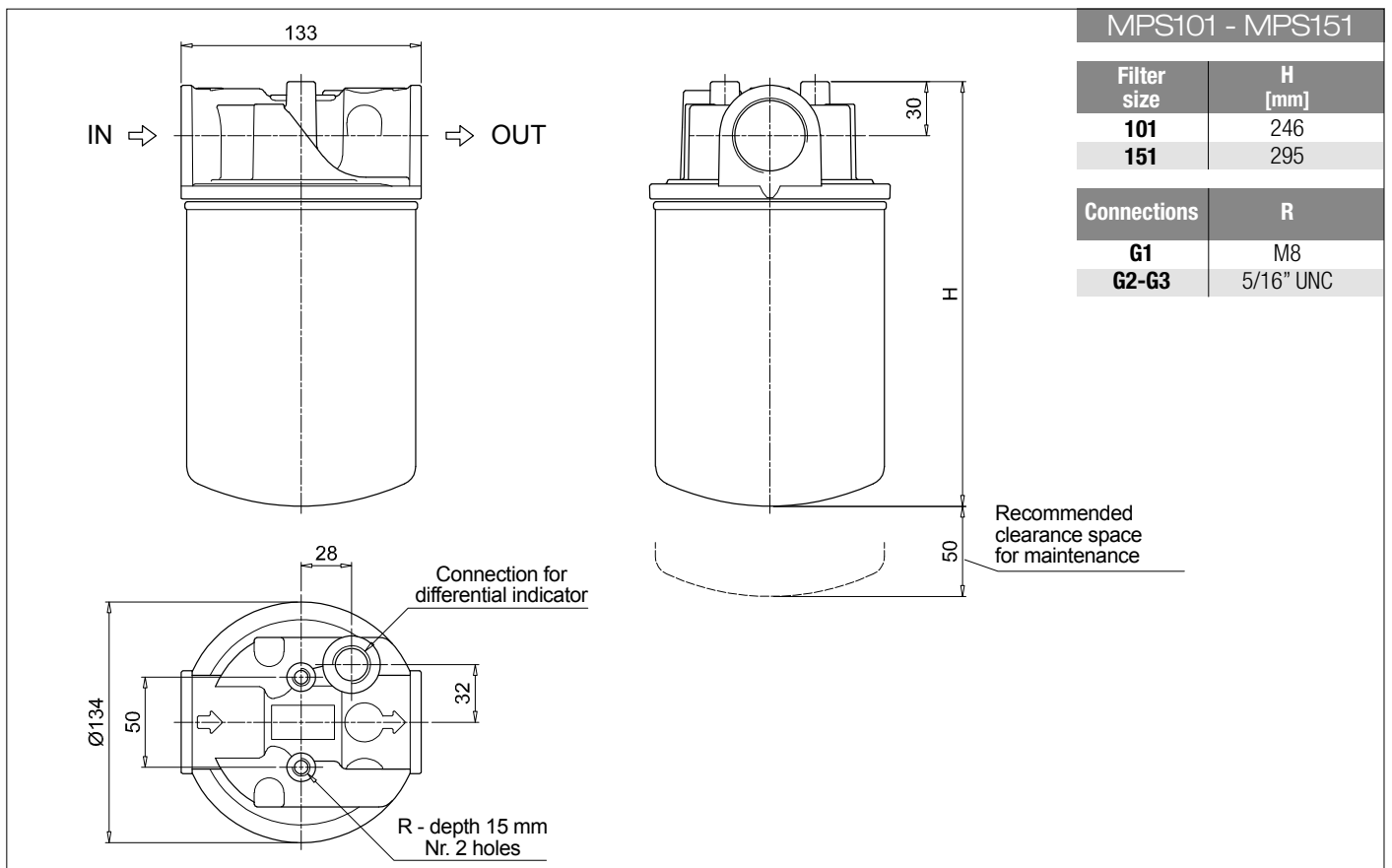
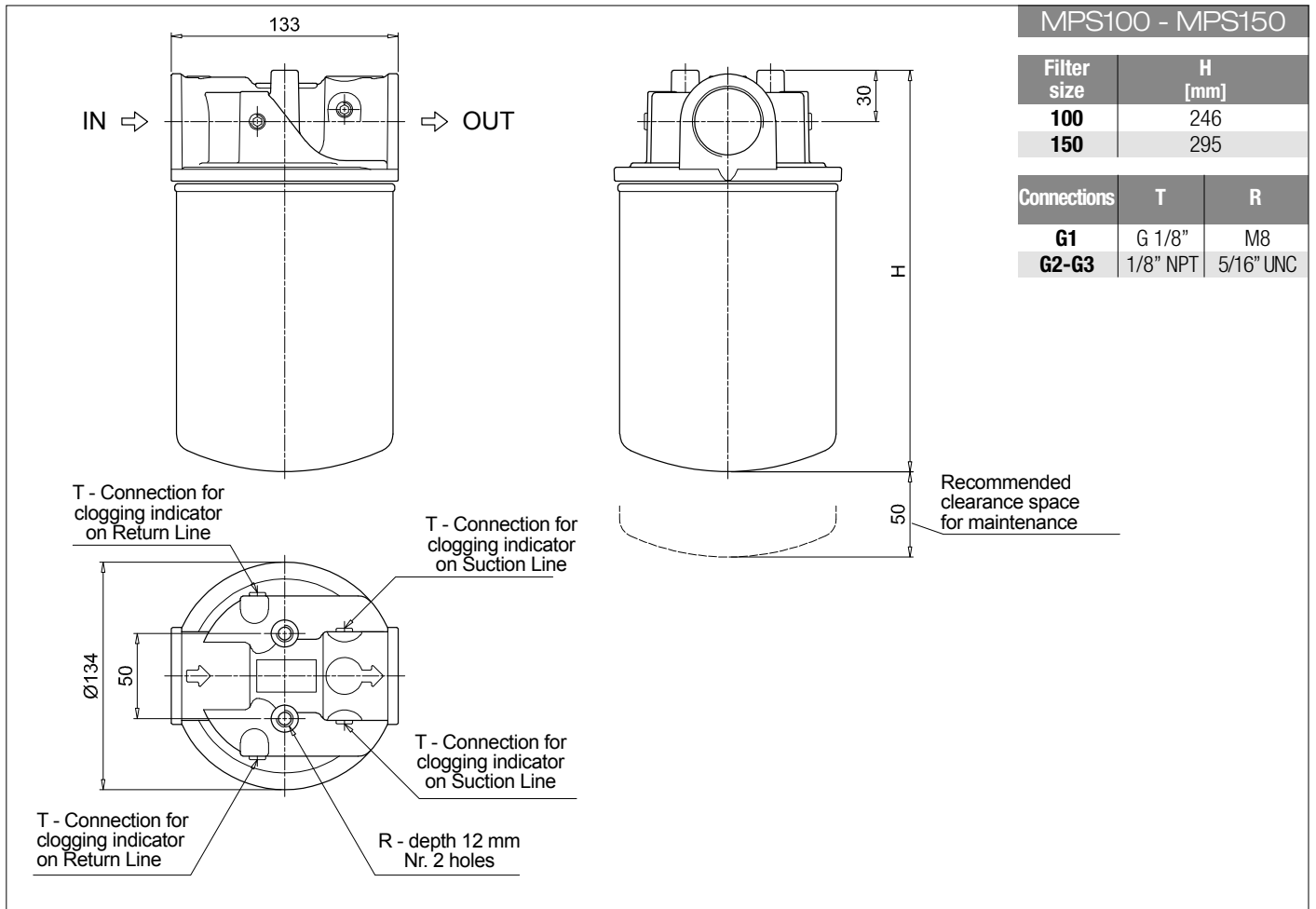
VVB	Axial pressure gauge
VVS	Radial pressure gauge

VEB	Electrical vacuum indicator
VLB	Electrical / visual vacuum indicator

Differential indicators

DEA	Electrical differential indicator
DEM	Electrical differential indicator
DLA	Electrical / visual differential indicator
DLE	Electrical / visual differential indicator

DTA	Electronic differential indicator
DVA	Visual differential indicator
DVM	Visual differential indicator



MPS MPS200 - MPS250

Designation & Ordering code

COMPLETE FILTER

Series and size MPS200 MPS250	Configuration example: MPS200	R	G1	A10	A	P01
Bypass valve						
R Inline / Return: with bypass 1.75 bar						
S Inline / Suction: with bypass 0.3 bar						
U Without bypass						
Connections						
G1 G 1 1/2"						
G2 1 1/2" NPT						
G3 SAE 24 - 1 7/8" - 12 UN						
Filtration rating (filter media)						
A03 Inorganic microfiber 3 µm	M25 Wire mesh 25 µm					
A06 Inorganic microfiber 6 µm	M60 Wire mesh 60 µm					
A10 Inorganic microfiber 10 µm	M90 Wire mesh 90 µm					
A25 Inorganic microfiber 25 µm	P10 Resin impregnated paper 10 µm					
	P25 Resin impregnated paper 25 µm					
		Seal			Execution	
		A NBR			P01 MP Filtri standard	

CARTRIDGE

Cartridge series and size CS100 CS150	Configuration example: CS100	A10	A	P01
Filtration rating (filter media)				
A03 Inorganic microfiber 3 µm	M25 Wire mesh 25 µm			
A06 Inorganic microfiber 6 µm	M60 Wire mesh 60 µm			
A10 Inorganic microfiber 10 µm	M90 Wire mesh 90 µm			
A25 Inorganic microfiber 25 µm	P10 Resin impregnated paper 10 µm			
	P25 Resin impregnated paper 25 µm			
		Seals		Execution
		A NBR		P01 MP Filtri standard Pxx Customized

CLOGGING INDICATORS

See page 684-685

Clogging indicators on RETURN line

BVA Axial pressure gauge
BVR Radial pressure gauge
BVP Visual pressure indicator with automatic reset
BVQ Visual pressure indicator with manual reset

BEA Electrical pressure indicator
BEM Electrical pressure indicator
BLA Electrical / visual pressure indicator

Clogging indicators on SUCTION line

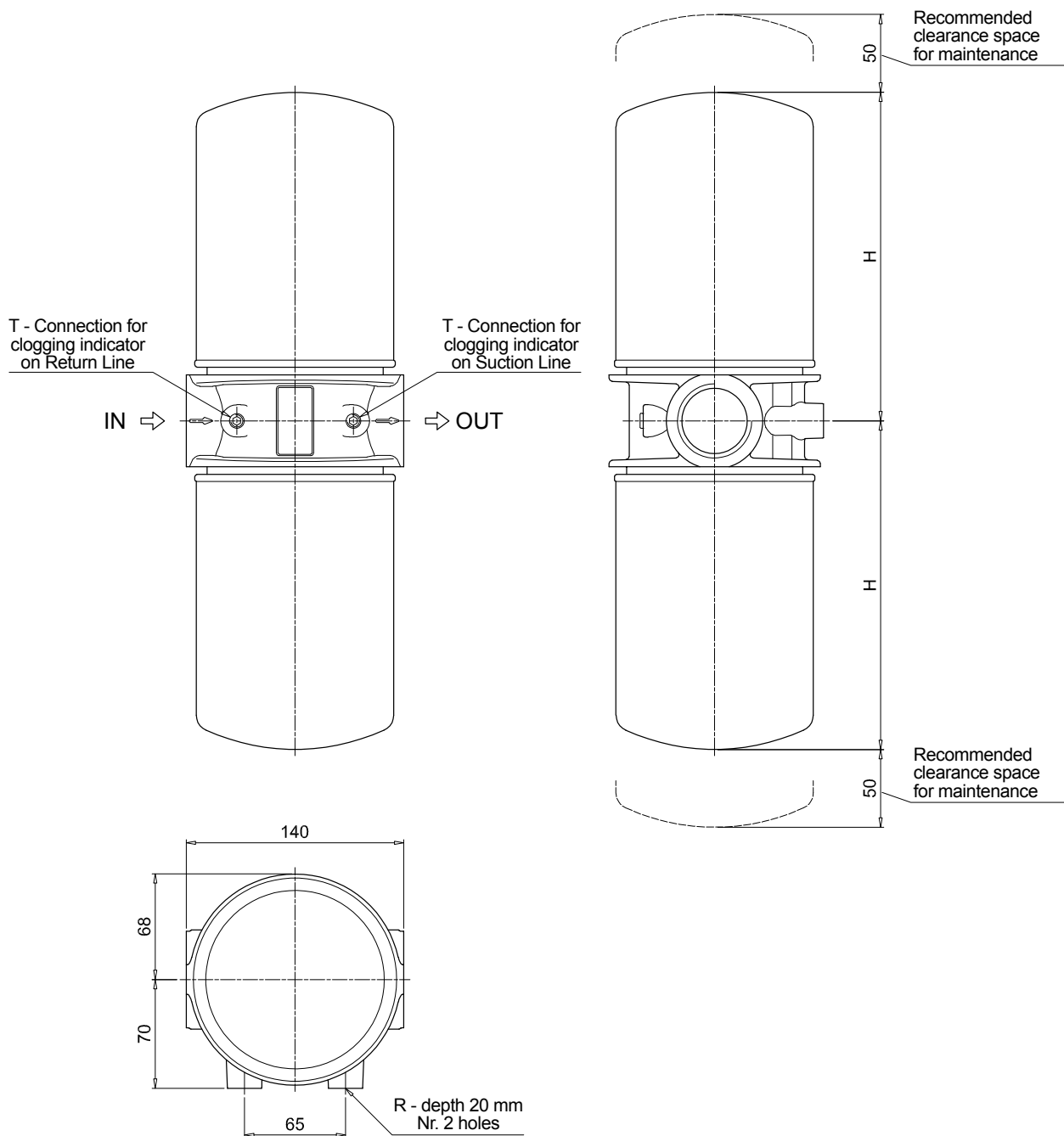
VVB Axial pressure gauge
VVS Radial pressure gauge

VEB Electrical vacuum indicator
VLB Electrical / visual vacuum indicator

MPS200 - MPS250

Filter size	H [mm]
200	213
250	262

Connections	T	R
G1	G 1/8"	M10
G2-G3	1/8" NPT	7/16" UNC



MPS MPS300 - MPS350 MPS301 - MPS351

Designation & Ordering code

COMPLETE FILTER

Series and size		Configuration example: MPS300 R F1 A10 A P01				
MPS300 MPS350	With connections for clogging indicators					
MPS301 MPS351	With connections for differential indicators					
Bypass valve		MPS 300 - 350	MPS 301 - 351			
R	Inline / Return: with bypass 1.75 bar	•	•			
S	Inline / Suction: with bypass 0.3 bar	•	-			
U	Without bypass	•	-			
P	Without bypass	-	•			
Connections						
G1	G 1 1/2"					
G2	1 1/2" NPT					
G3	SAE 24 - 1 7/8" - 12 UN					
F1	1 1/2" SAE 3000 psi/M					
F2	1 1/2" SAE 3000 psi/UNC					
Filtration rating (filter media)						
A03	Inorganic microfiber 3 µm	M25	Wire mesh 25 µm			
A06	Inorganic microfiber 6 µm	M60	Wire mesh 60 µm			
A10	Inorganic microfiber 10 µm	M90	Wire mesh 90 µm			
A25	Inorganic microfiber 25 µm	P10	Resin impregnated paper 10 µm			
		P25	Resin impregnated paper 25 µm			
		Seal		Execution		
		A NBR		P01 MP Filtri standard		

CARTRIDGE

Cartridge series and size		Configuration example: CS100 A10 A P01			
CS100 CS150					
Filtration rating (filter media)					
A03	Inorganic microfiber 3 µm	M25	Wire mesh 25 µm		
A06	Inorganic microfiber 6 µm	M60	Wire mesh 60 µm		
A10	Inorganic microfiber 10 µm	M90	Wire mesh 90 µm		
A25	Inorganic microfiber 25 µm	P10	Resin impregnated paper 10 µm		
		P25	Resin impregnated paper 25 µm		
		Seals		Execution	
		A NBR		P01 MP Filtri standard Pxx Customized	

CLOGGING INDICATORS

See page 684-685

Clogging indicators on RETURN line

BVA	Axial pressure gauge
BVR	Radial pressure gauge
BVP	Visual pressure indicator with automatic reset
BVQ	Visual pressure indicator with manual reset

BEA	Electrical pressure indicator
BEM	Electrical pressure indicator
BLA	Electrical / visual pressure indicator

Clogging indicators on SUCTION line

VVB	Axial pressure gauge
VVS	Radial pressure gauge

VEB	Electrical vacuum indicator
VLB	Electrical / visual vacuum indicator

Differential indicators

DEA	Electrical differential indicator
DEM	Electrical differential indicator
DLA	Electrical / visual differential indicator
DLE	Electrical / visual differential indicator

DTA	Electronic differential indicator
DVA	Visual differential indicator
DVM	Visual differential indicator

PLUGS

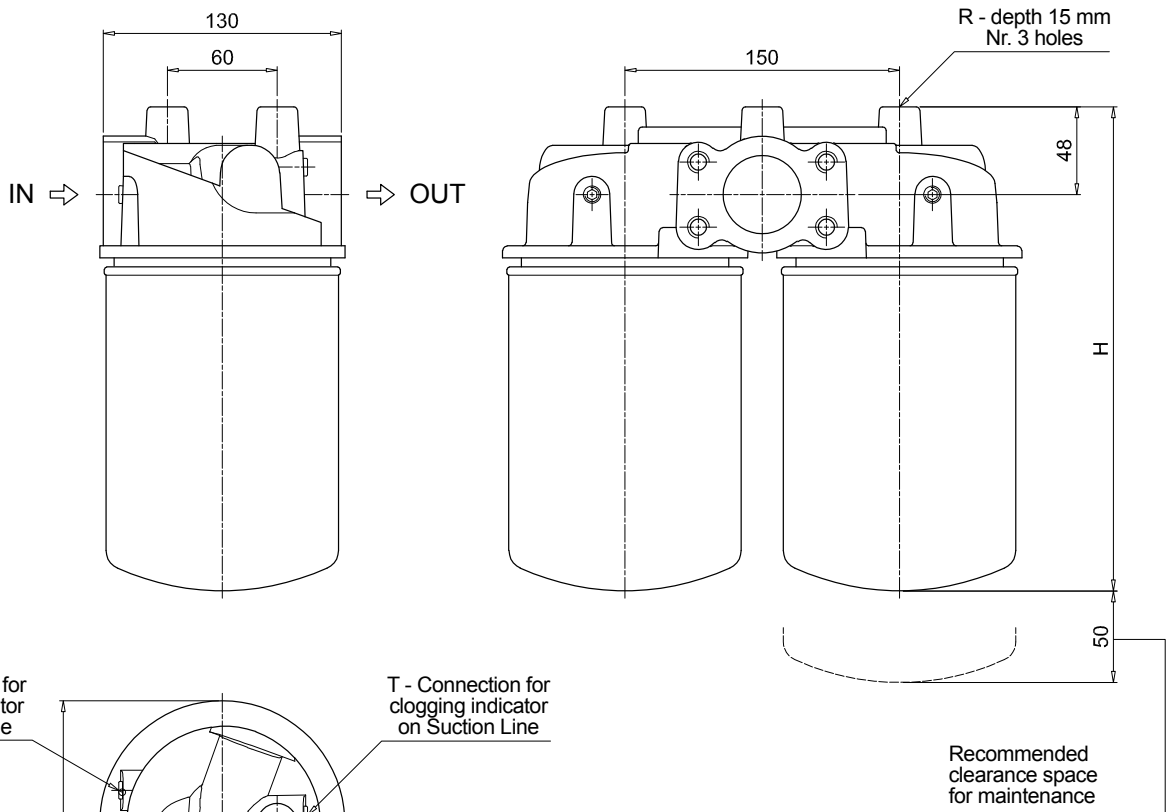
See page 684

T2	Differential indicator plug (not included)
-----------	--

MPS300 - MPS350

Filter size	H [mm]
300	266
350	315

Connections	T	R
G1	G 1/8"	M10
G2-G3	1/8" NPT	7/16" UNC
F1	G 1/8"	M10
F2	1/8" NPT	7/16" UNC



T - Connection for clogging indicator on Return Line

T - Connection for clogging indicator on Suction Line

T - Connection for clogging indicator on Return Line

T - Connection for clogging indicator on Suction Line

Recommended clearance space for maintenance

MPS MPS300 - MPS350 MPS301 - MPS351

Dimensions

MPS301 - MPS351

Filter size	H [mm]
301	266
351	315

Connections	R
G1	M10
G2-G3	7/16" UNC
F1	M10
F2	7/16" UNC

