

FHP series

Maximum working pressure up to 42 MPa (420 bar) - Flow rate up to 630 l/min



Description

Technical data

High Pressure filters

In-line

Maximum working pressure up to 42 MPa (420 bar)

Flow rate up to 630 l/min

FHP is a range of versatile high pressure filter for protection of sensitive components in high pressure hydraulic systems in the industrial equipment.

They are directly connected to the lines of the system through the hydraulic fittings.

Available features:

- Female threaded connections up to 1 1/2" and flanged connections up to 2", for a maximum return flow rate of 630 l/min
- Fine filtration rating, to get a good cleanliness level into the system
- Bypass valve, to relieve excessive pressure drop across the filter media
- Check valve, to protect the system against reverse flow
- Reverse flow valve, to allow bidirectional flow through the filter housing. The back flow is not filtered. The filter requires the use of internal check valves to direct the flow through the element in one direction and around the element in the other
- Low collapse filter element "N", for use with filters provided with bypass valve
- High collapse filter element "H", for use with filters not provided with bypass valve
- Low collapse filter element with external support "R", for filter element protection against the back pressure caused by the check valve or the reverse flow in filters provided with the bypass valve
- High collapse filter element with external support "S", for filter element protection against the back pressure caused by the check valve or the reverse flow in filters not provided with the bypass valve
- Visual, electrical and electronic differential clogging indicators

Common applications:

Delivery lines, in any high pressure industrial equipment or mobile machines

Filter housing materials

- Head: Phosphatized cast iron

- Housing: Phosphatized steel

- Bypass valve

AISI 316L: FHP 010 - 011

Brass: FHP 065 - 135

Brass / AISI 304: FHP 350-351

Steel: FHP 500

- Reverse Flow

Steel: FHP 350 - FHP 500

- Check valve: Steel

Pressure

- Test pressure: 63 MPa (630 bar)

- Burst pressure: 126 MPa (1260 bar)

- Pulse pressure fatigue test: 1 000 000 cycles with pressure from 0 to 42 MPa (420 bar)

Bypass valve

- Opening pressure 600 kPa (6 bar) ±10%

- Other opening pressures on request.

Δp element type

- Microfibre filter elements - series N: 20 bar

- Microfibre filter elements - series R: 20 bar (not available for FHP 010-011 and FHP 500)

- Microfibre filter elements - series H: 210 bar

- Microfibre filter elements - series S: 210 bar (only for FHP 500)

- Wire mesh filter elements - series N: 20 bar

- Fluid flow through the filter element from OUT to IN

Seals

- Standard NBR series A

- Optional FPM series V

Temperature

From -25 °C to +110 °C

Connections

FHP 010 - 065 - 135 - 350 - 351 - 500:

In-line Inlet/Outlet

FHP 011:

90° Inlet/Outlet

Note

FHP filters are provided for vertical mounting

Weights [kg] and volumes [dm³]

Filter series	Weights [kg]					Volumes [dm ³]						
	Length	1	2	3	4	5	Length	1	2	3	4	5
FHP 010 - 011		2.05	2.18	2.64	3.13	-		0.10	0.12	0.15	0.20	-
FHP 065		4.26	4.62	5.83	-	-		0.25	0.30	0.50	-	-
FHP 135		7.11	8.71	9.76	-	-		0.43	0.76	0.97	-	-
FHP 350 - 351		13.95	16.08	18.37	20.85	-		1.00	1.72	2.49	3.32	-
FHP 500		27.00	31.17	34.69	46.70	52.5		1.71	2.43	3.04	5.18	6.51

Filter series	Length	Filter element design - H Series					Filter element design - N Series					
		A03	A06	A10	A16	A25	A03	A06	A10	A16	A25	M25
FHP 010	1	3	5	6	7	8	4	6	8	9	10	37
	2	5	7	13	16	22	6	8	16	19	24	40
	3	10	13	22	25	30	11	14	23	26	31	41
	4	12	15	25	27	32	16	19	27	30	33	41
FHP 011	1	3	5	6	7	9	4	6	8	9	11	47
	2	5	7	14	17	24	7	9	17	21	28	52
	3	11	14	25	29	36	11	14	26	30	37	53
	4	12	16	28	32	38	17	21	32	36	40	54
FHP 065	1	24	25	50	59	84	25	33	56	63	90	142
	2	33	38	68	77	98	34	52	72	79	106	143
	3	61	70	100	107	123	61	73	101	108	125	147
FHP 135	1	49	55	95	98	147	67	72	115	122	159	184
	2	89	106	129	131	163	105	111	140	142	192	209
	3	120	132	158	166	180	141	143	176	179	193	211
FHP 350	1	108	115	188	197	301	127	140	234	282	343	451
	2	196	225	317	323	396	256	278	394	415	465	480
	3	266	310	384	392	440	331	370	450	466	475	490
	4	308	333	391	398	445	369	393	456	474	495	503
FHP 500	1	144	157	265	268	355	269	305	390	406	444	612
	2	232	262	350	363	398	321	357	433	441	484	619
	3	293	301	398	408	455	396	416	497	499	537	622
	4	336	377	452	455	507	430	475	516	524	545	626
	5	420	428	494	500	544	475	493	535	545	569	627

Maximum flow rate for a complete pressure filter with a pressure drop $\Delta p = 1.5$ bar.

The reference fluid has a kinematic viscosity of 30 mm²/s (cSt) and a density of 0.86 kg/dm³.

For different pressure drop or fluid viscosity we recommend to use our selection software available on www.mpfiltri.com.

You can also calculate the right size using the formulas present on the FILTER SIZING paragraph at the beginning of the full catalogue or at the beginning of the filter family brochure. Please, contact our Sales Department for further additional information.

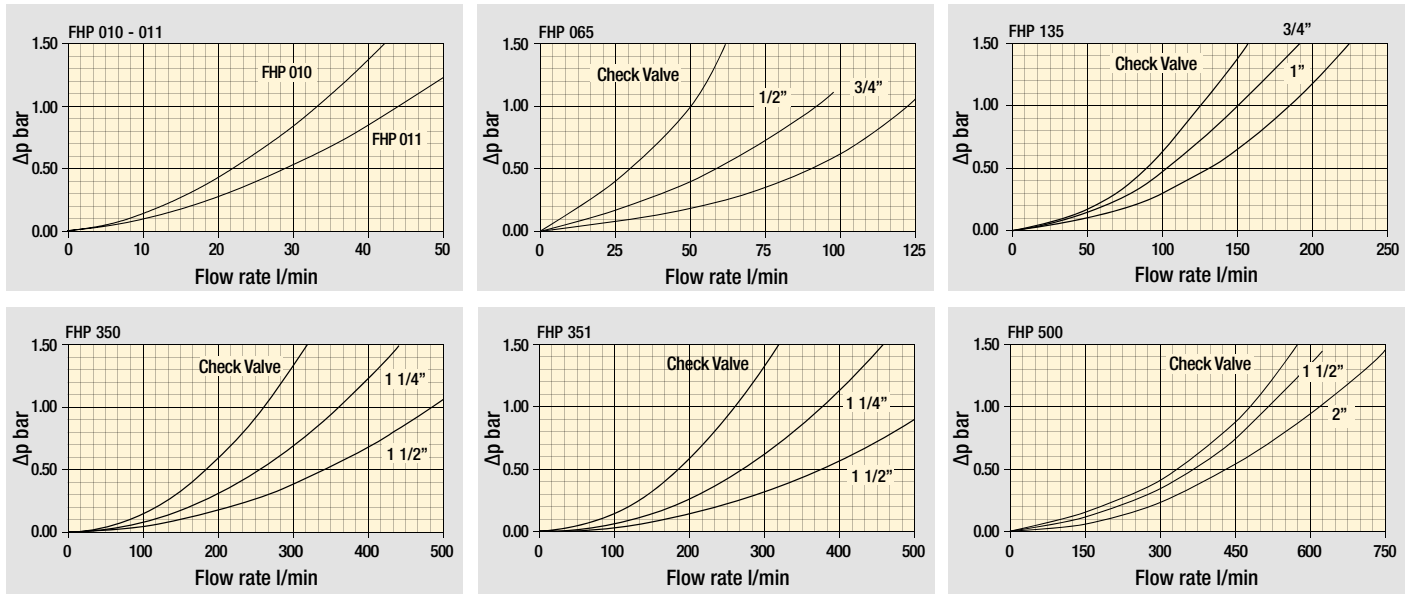
Hydraulic symbols

Filter series	Style S	Style B	Style T	Style D	Style V	Style Z
FHP 010 - 011	•	•	-	-	•	•
FHP 065	•	•	•	-	-	-
FHP 135	•	•	•	-	-	-
FHP 350-351	•	•	•	•	•	•
FHP 500	•	•	•	•	•	•

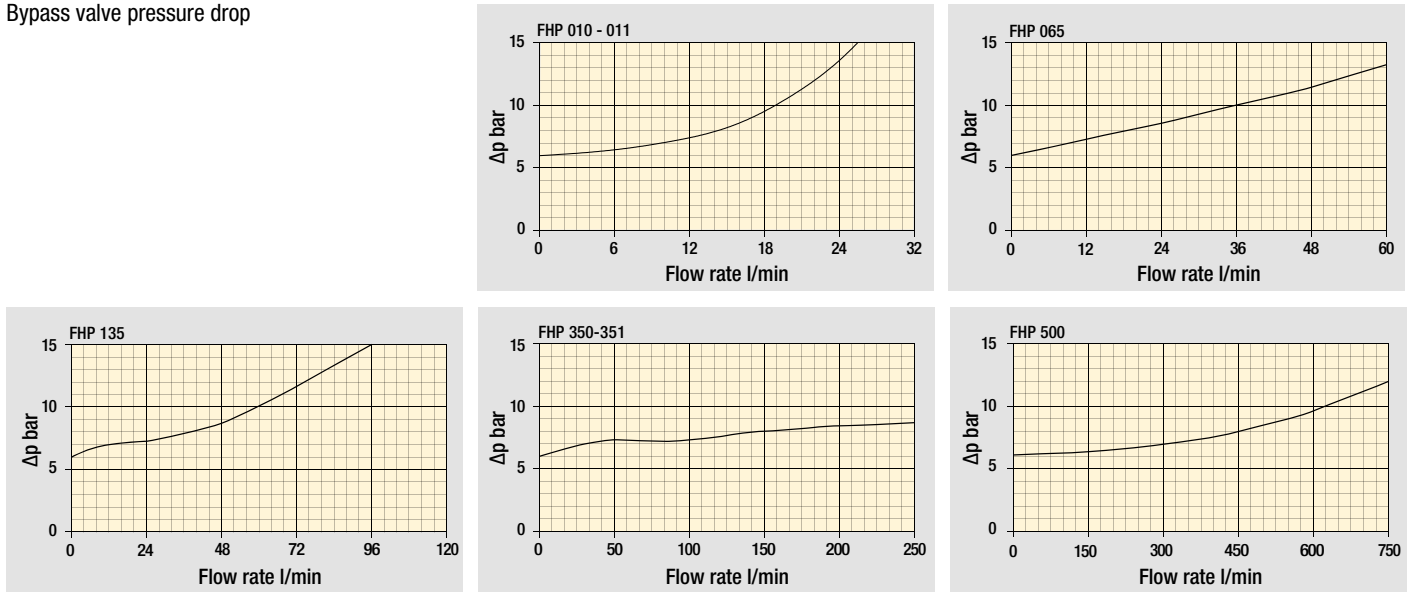
--	--	--	--	--	--

Pressure drop

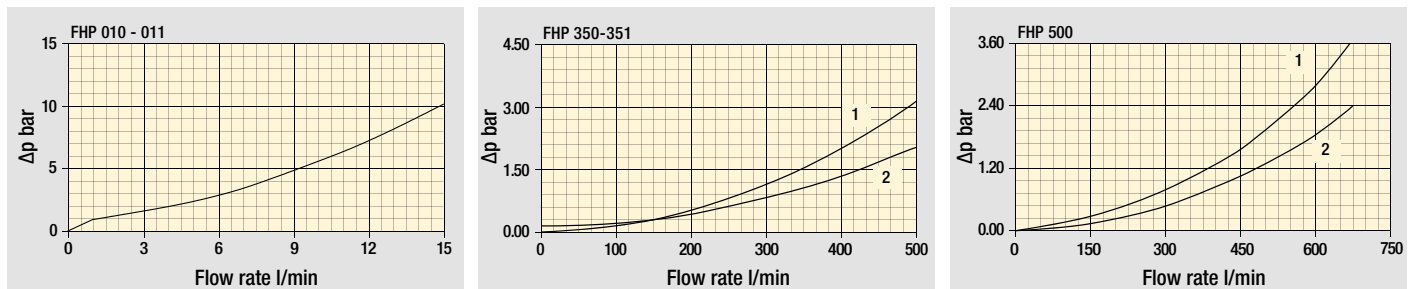
Filter housings Δp pressure drop



Bypass valve pressure drop



Valves



Filter housing with check valve

Pressure drop with reverse flow valve in
1 - Filtering direction
2 - Opposite direction

Pressure drop with reverse flow valve in
1 - Opposite direction
2 - Filtering direction

The curves are plotted using mineral oil with density of 0.86 kg/dm^3 in compliance with ISO 3968. Δp varies proportionally with density.

Designation & Ordering code

COMPLETE FILTER

Configuration example: **FHP010** | **2** | **B** | **A** | **B** | **2** | **A03** | **N** | **P01**

Series and size
FHP010 | **FHP011**

Length
1 | **2** | **3** | **4**

Valves
S Without bypass
B With bypass 6 bar
V With reverse flow, without bypass
Z With reverse flow, with bypass 6 bar

Seals
A NBR
V FPM

Connections
A G 1/4"
B 1/4" NPT
C SAE 5 - 1/2" - 20 UNF
D G 3/8"
E 3/8" NPT
F SAE 6 - 9/16" - 18 UNF

Connection for differential indicator
1 Without
2 With connection

Filtration rating (filter media)

A03	Inorganic microfiber	3 µm
A06	Inorganic microfiber	6 µm
A10	Inorganic microfiber	10 µm
A16	Inorganic microfiber	16 µm
A25	Inorganic microfiber	25 µm
M25	Wire mesh	25 µm

Element Δp	S	B	V	Z	Execution
N 20 bar	-	•	-	•	P01 MP Filtri standard
H 210 bar	•	-	•	-	Pxx Customized

FILTER ELEMENT

Configuration example: **HP011** | **2** | **A03** | **A** | **N** | **P01**

Element series and size
HP011

Element length
1 | **2** | **3** | **4**

Filtration rating (filter media)

A03	Inorganic microfiber	3 µm
A06	Inorganic microfiber	6 µm
A10	Inorganic microfiber	10 µm
A16	Inorganic microfiber	16 µm
A25	Inorganic microfiber	25 µm
M25	Wire mesh	25 µm

Seals	Element Δp	Execution
A NBR	N 20 bar	P01 MP Filtri standard
V FPM	H 210 bar	Pxx Customized

CLOGGING INDICATORS

See page 687

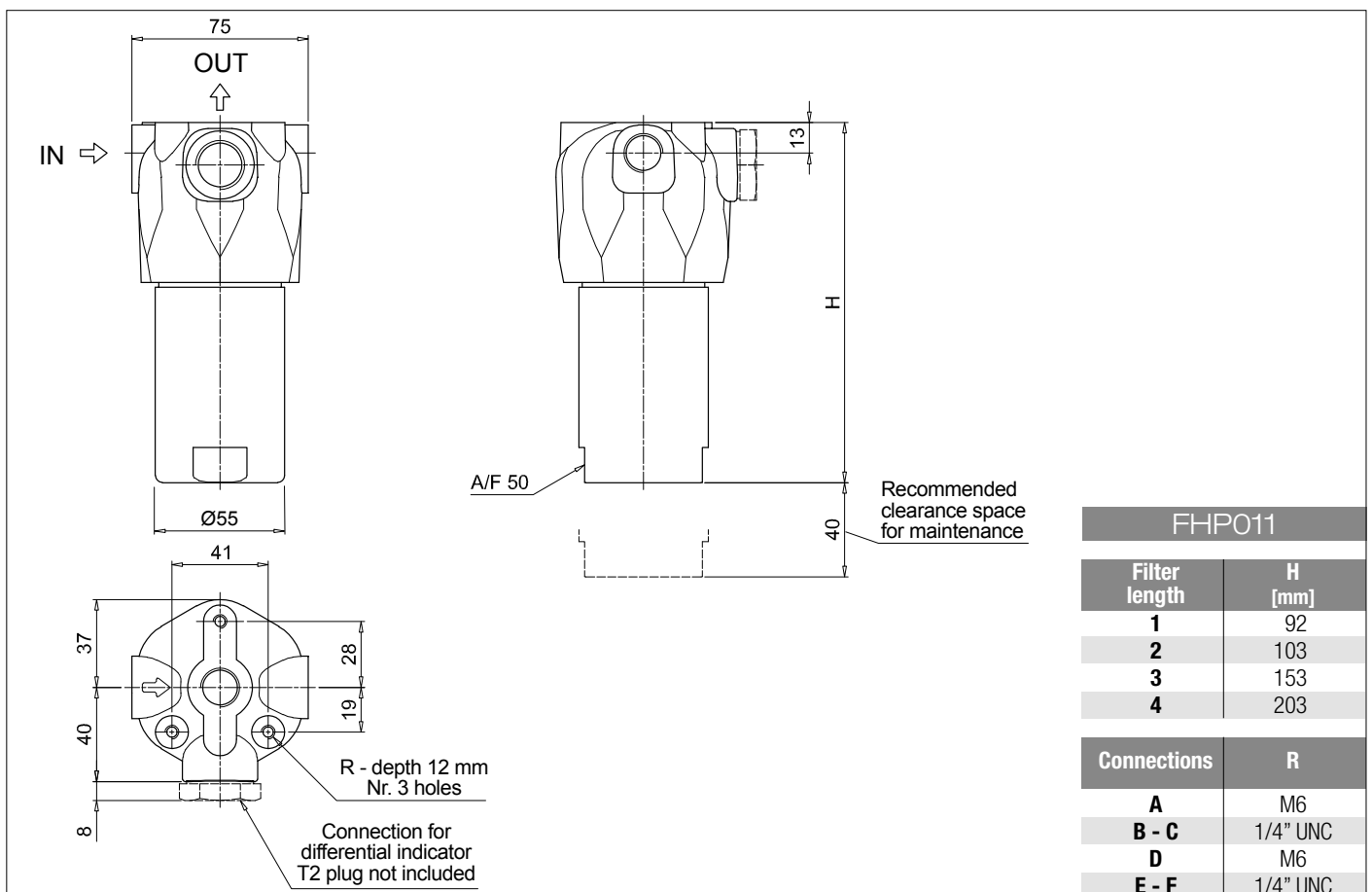
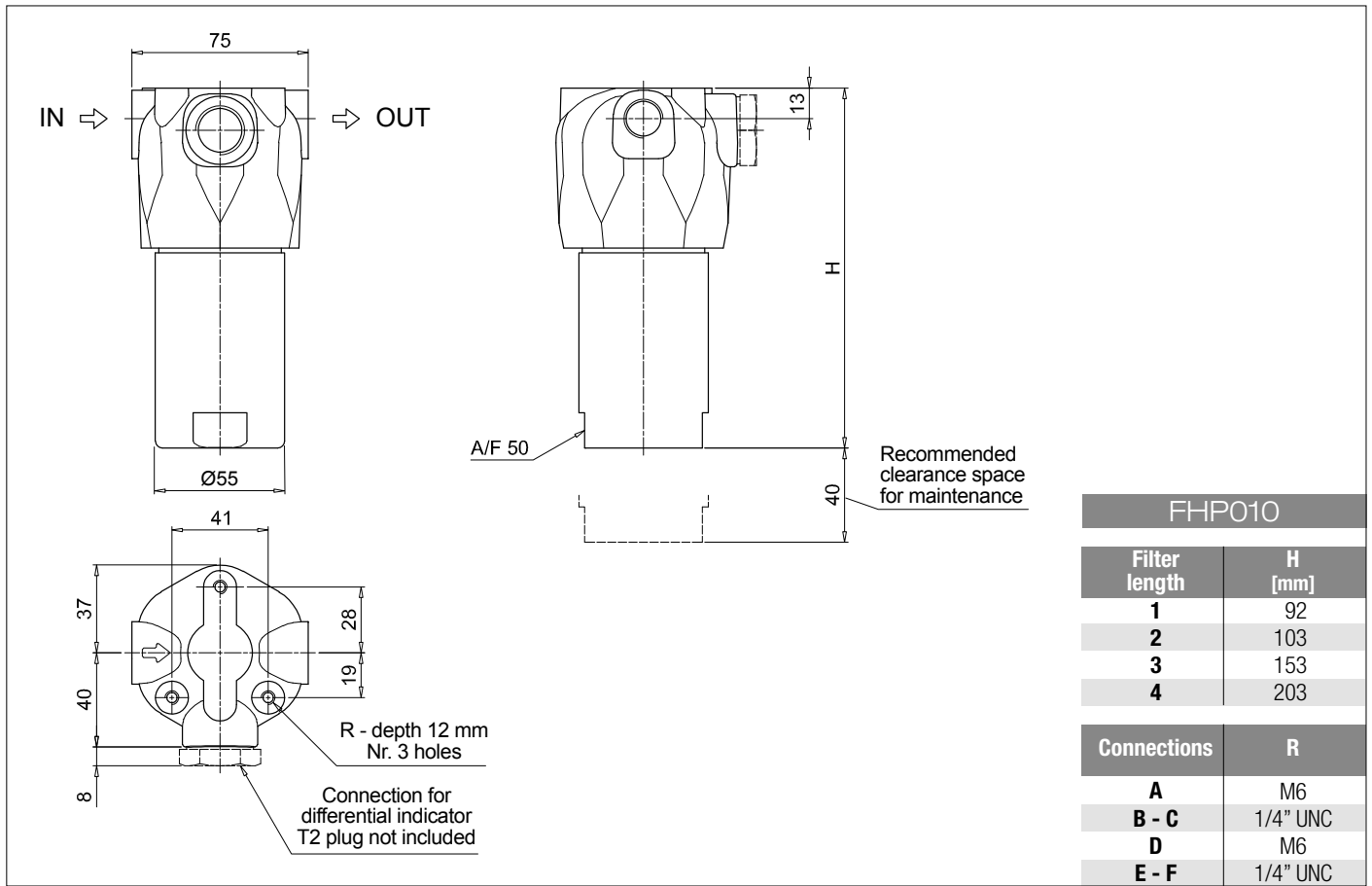
DEA Electrical differential indicator
DEM Electrical differential indicator
DLA Electrical / visual differential indicator
DLE Electrical / visual differential indicator

DTA Electrical differential indicator
DVA Visual differential indicator
DVM Visual differential indicator

PLUGS

See page 706

T2 Differential indicator plug (not included)



FHP FHP065 - FHP135

Designation & Ordering code

COMPLETE FILTER

Series and size Configuration example: **FHP135** | **2** | **B** | **A** | **G3** | **A06** | **S** | **P01**

FHP065 | **FHP135**

Length
1 | **2** | **3**

Valves
S Without bypass
B With bypass 6 bar
T With check valve, without bypass

Seals
A NBR
V FPM

Connections	FHP065	FHP135
G1	G 1/2"	G 3/4"
G2	G 3/4"	G 1"
G3	1/2" NPT	3/4" NPT
G4	3/4" NPT	1" NPT
G5	SAE 8 - 3/4" - 16 UNF	SAE 12 - 1 1/16" - 12 UN
G6	SAE 12 - 1 1/16" - 12 UN	SAE 16 - 1 5/16" - 12 UN
F1	-	3/4" SAE 3000 psi/M
F2	-	1" SAE 3000 psi/M
F3	-	3/4" SAE 3000 psi/UNC
F4	-	1" SAE 3000 psi/UNC
F5	-	3/4" SAE 6000 psi/M
F6	-	3/4" SAE 6000 psi/UNC

Filtration rating (filter media)	
A03	Inorganic microfiber 3 µm
A06	Inorganic microfiber 6 µm
A10	Inorganic microfiber 10 µm
A16	Inorganic microfiber 16 µm
A25	Inorganic microfiber 25 µm
M25	Wire mesh 25 µm

Element Δp	Valves			Execution
	S	B	T	
N 20 bar	-	•	-	P01 MP Filtri standard
H 210 bar	•	-	-	Pxx Customized
S 210 bar	-	-	•	

FILTER ELEMENT

Element series and size Configuration example: **HP135** | **2** | **A06** | **A** | **S** | **P01**

HP065 | **HP135**

Element length
1 | **2** | **3**

Filtration rating (filter media)	
A03	Inorganic microfiber 3 µm
A06	Inorganic microfiber 6 µm
A10	Inorganic microfiber 10 µm
A16	Inorganic microfiber 16 µm
A25	Inorganic microfiber 25 µm
M25	Wire mesh 25 µm

Seals	Element Δp	Execution
A NBR	N 20 bar	P01 MP Filtri standard
V FPM	H 210 bar	Pxx Customized
	S 210 bar	

CLOGGING INDICATORS

See page 687

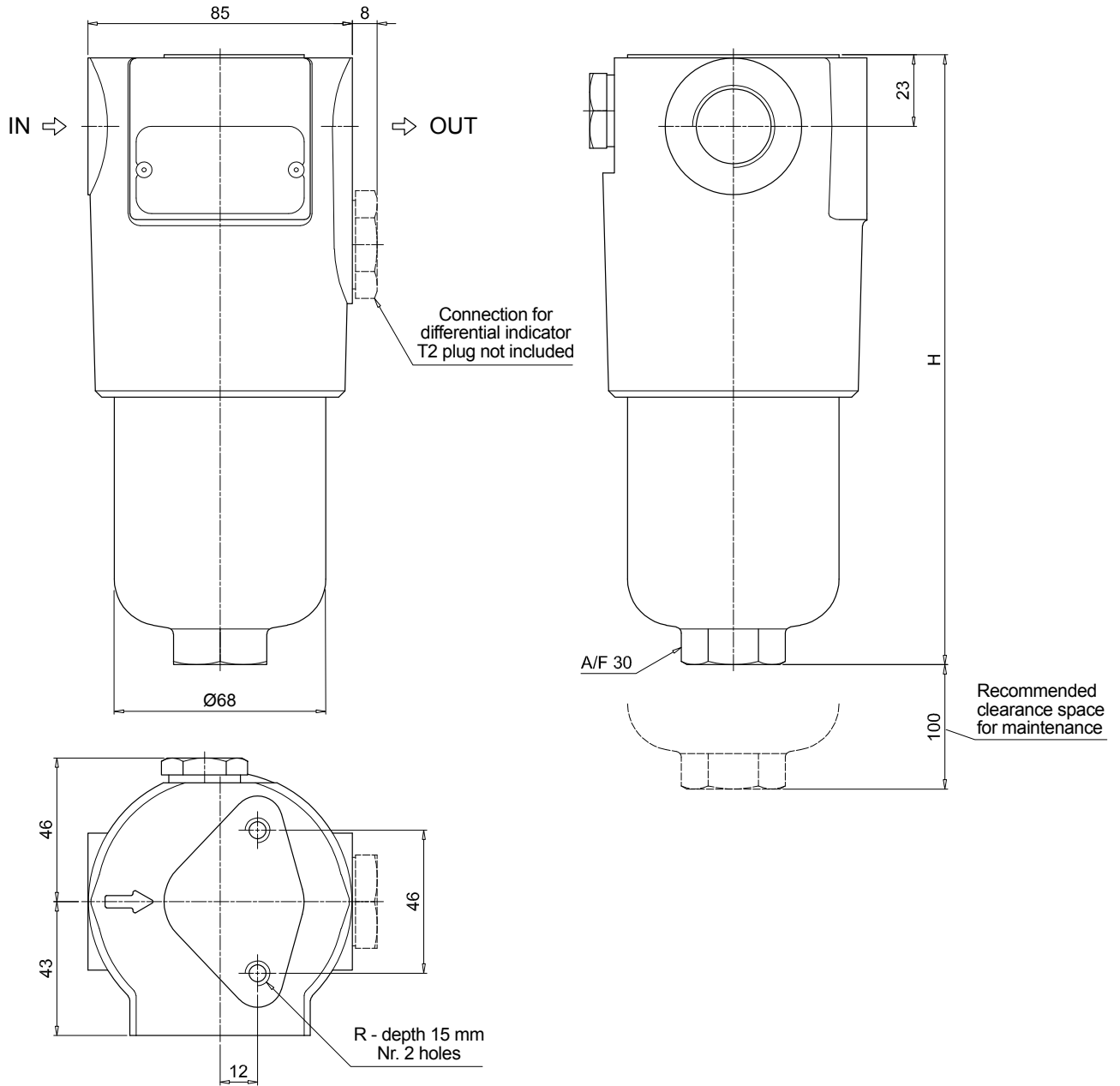
DEA Electrical differential indicator
DEM Electrical differential indicator
DLA Electrical / visual differential indicator
DLE Electrical / visual differential indicator

DTA Electrical differential indicator
DVA Visual differential indicator
DVM Visual differential indicator

PLUGS

See page 706

T2 Differential indicator plug (not included)



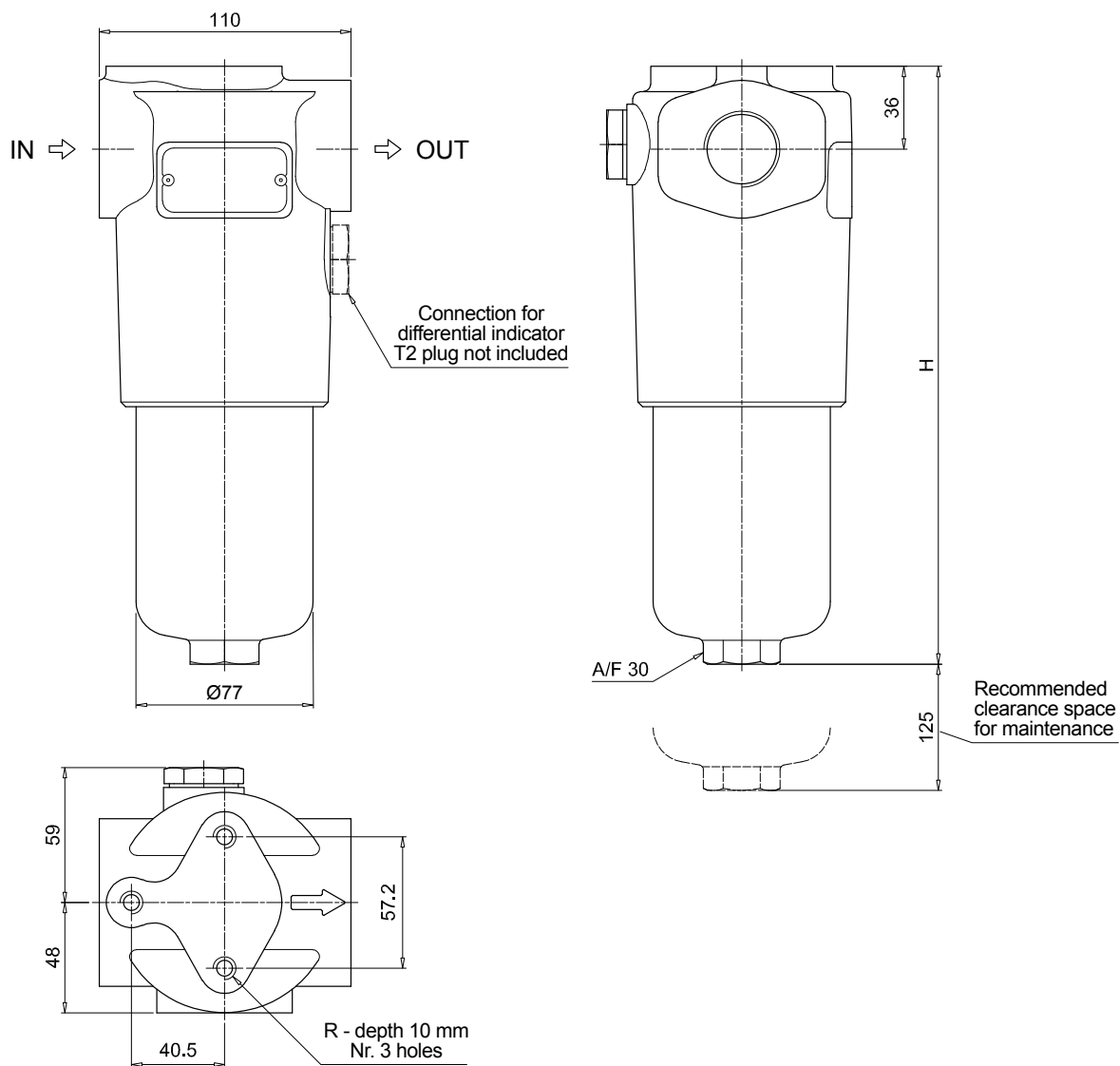
FHP065

Filter length	H [mm]
1	196
2	227
3	329

Connections	R
G1-G2	M8
G3-G4-G5-G6	5/16" UNC

FHP FHP065 - FHP135

Dimensions



FHP135

Filter length	H [mm]
1	260
2	373
3	448

Connections	R
G1-G2	M10
G3-G4-G5-G6	3/8" UNC
F1-F2	M10
F3-F4	3/8" UNC
F5	M10
F6	3/8" UNC

FHP FHP350 - FHP351

Designation & Ordering code

COMPLETE FILTER

Series and size Configuration example: **FHP350** | **4** | **B** | **A** | **D** | **2** | **A06** | **N** | **P01**

FHP350
FHP351

Length
1 | **2** | **3** | **4** |

Valves
S Without bypass
B With bypass 6 bar
T With check valve, without bypass
D With check valve, with bypass 6 bar
V With reverse flow, without bypass
Z With reverse flow, with bypass 6 bar

Seals
A NBR
V FPM

Connections
A G 1 1/2" **F** 1 1/2" SAE 3000 psi/UNC + SAE 20 - 1 5/8" - 12 UN
B 1 1/2" NPT **G** 1 1/4" SAE 3000 psi/M
C SAE 24 - 1 7/8" - 12 UN **H** 1 1/4" SAE 3000 psi/UNC
D 1 1/2" SAE 3000 psi/M + G 1 1/4" **I** 1 1/4" SAE 6000 psi/M (bolts M12, IAW ISO 6162-2:2018)
E 1 1/2" SAE 3000 psi/UNC + 1 1/4" NPT **L** 1 1/4" SAE 6000 psi/UNC

Connection for differential indicator
2 With connection

Filtration rating (filter media)		Valves						Filter length				
Code	Media	Element Δp	S	B	T	D	V	Z	1	2	3	4
A03	Inorganic microfiber	3 μm	-	•	-	-	-	-	•	•	•	•
A06	Inorganic microfiber	6 μm	-	-	-	•	-	•	-	-	-	•
A10	Inorganic microfiber	10 μm	•	-	-	-	-	-	-	-	-	-
A16	Inorganic microfiber	16 μm	-	-	-	-	-	-	-	-	-	-
A25	Inorganic microfiber	25 μm	-	-	•	-	-	-	-	-	-	-
M25	Wire mesh	25 μm	-	-	-	-	•	-	-	-	-	-

FILTER ELEMENT

Element series and size Configuration example: **HP320** | **4** | **A06** | **A** | **N** | **P01**

HP320

Element length
1 | **2** | **3** | **4** |

Filtration rating (filter media)		Seals		Element Δp		Execution	
Code	Media	A	V	N	R	H	S
A03	Inorganic microfiber	3 μm	NBR	20 bar	20 bar	210 bar	210 bar
A06	Inorganic microfiber	6 μm	FPM	20 bar	20 bar	210 bar	210 bar
A10	Inorganic microfiber	10 μm		20 bar	20 bar	210 bar	210 bar
A16	Inorganic microfiber	16 μm		20 bar	20 bar	210 bar	210 bar
A25	Inorganic microfiber	25 μm		20 bar	20 bar	210 bar	210 bar
M25	Wire mesh	25 μm		20 bar	20 bar	210 bar	210 bar

CLOGGING INDICATORS

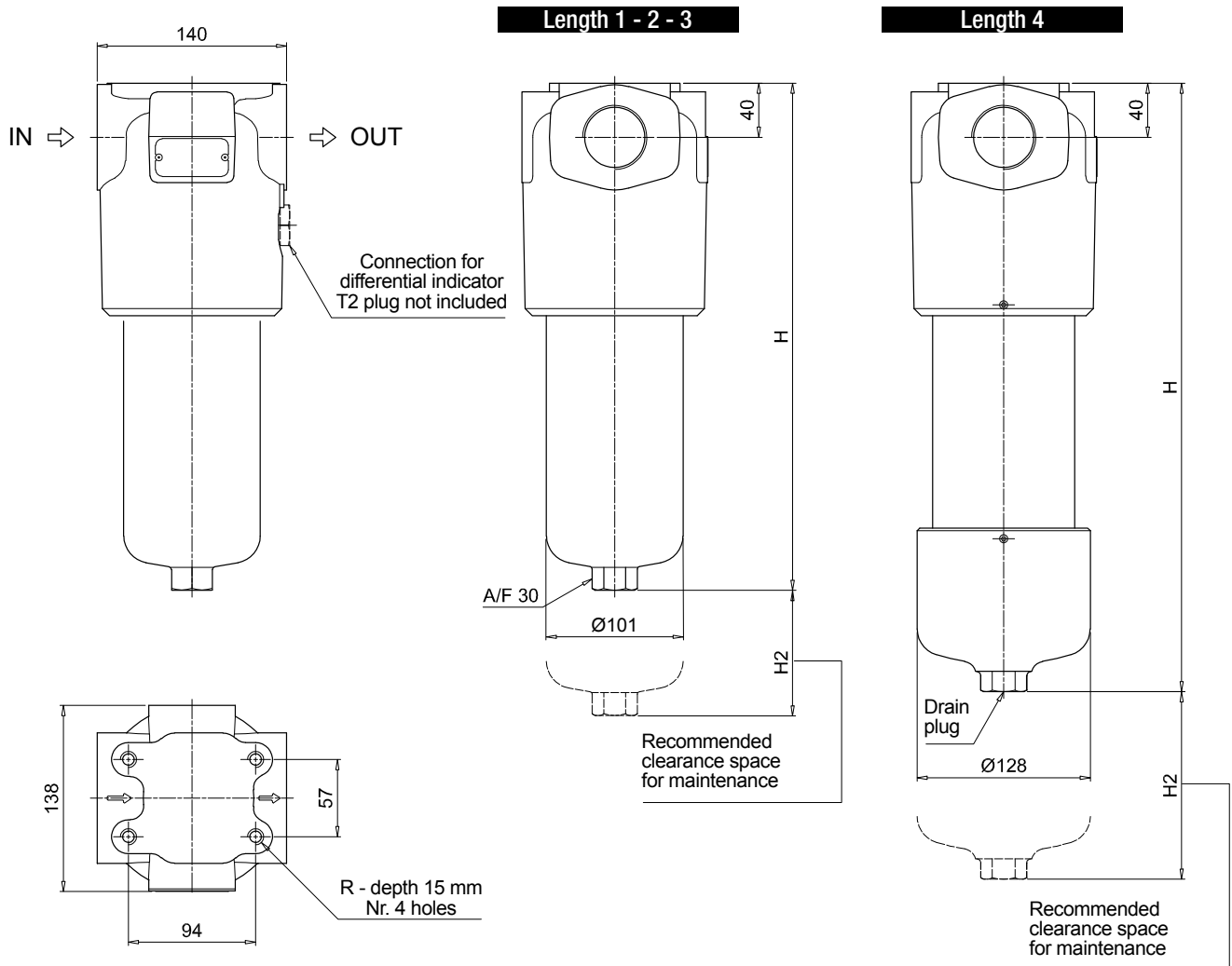
See page 687

DEA Electrical differential indicator	DTA Electrical differential indicator
DEM Electrical differential indicator	DVA Visual differential indicator
DLA Electrical / visual differential indicator	DVM Visual differential indicator
DLE Electrical / visual differential indicator	

PLUGS

See page 706

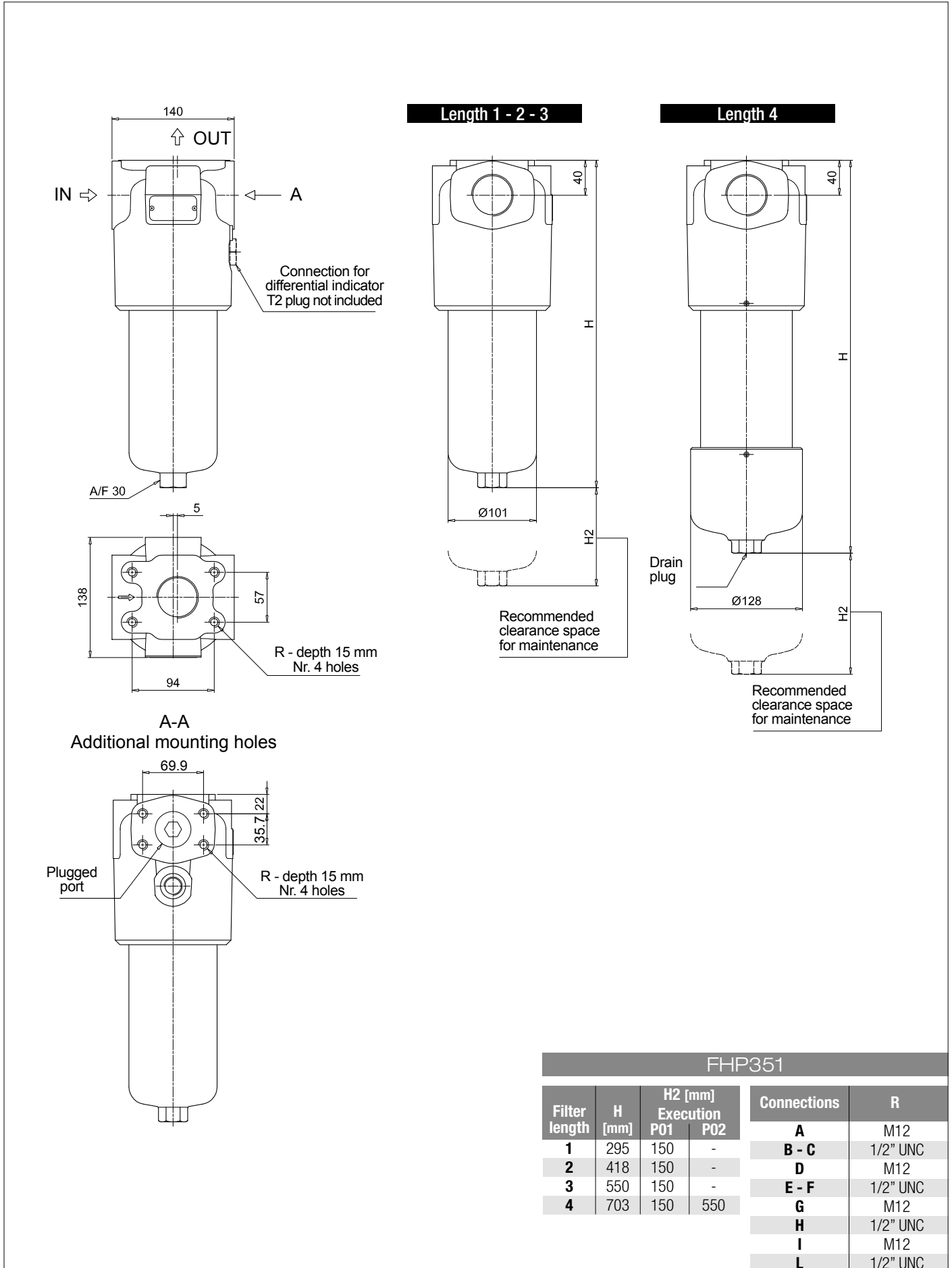
T2 Differential indicator plug (not included)



FHP350

Filter length	H [mm]	H2 [mm] Execution		Connections	R
		P01	P02		
1	295	150	-	A	M12
2	418	150	-	B - C	1/2" UNC
3	550	150	-	D	M12
4	703	150	550	E - F	1/2" UNC
				G	M12
				H	1/2" UNC
				I	M12
				L	1/2" UNC

Dimensions



FHP351

Filter length	H [mm]	H2 [mm] Execution		Connections	R
		P01	P02		
1	295	150	-	A	M12
2	418	150	-	B - C	1/2" UNC
3	550	150	-	D	M12
4	703	150	550	E - F	1/2" UNC
				G	M12
				H	1/2" UNC
				I	M12
				L	1/2" UNC

Designation & Ordering code

COMPLETE FILTER

Series and size **FHP500** Configuration example: **FHP500** | **4** | **V** | **A** | **F1** | **A06** | **S** | **P01**

Length

1 | **2** | **3** | **4** | **5**

Valves

- S** Without bypass
- B** With bypass 6 bar
- T** With check valve, without bypass
- D** With check valve, with bypass 6 bar
- V** With reverse flow, without bypass
- Z** With reverse flow, with bypass 6 bar

Seals

- A** NBR
- V** FPM

Connections

- F1** 1 1/2" SAE 3000 psi/M
- F2** 1 1/2" SAE 3000 psi/UNC
- F3** 2" SAE 3000 psi/M
- F4** 2" SAE 3000 psi/UNC + 1 1/2" NPT
- F5** 1 1/2" SAE 6000 psi/M
- F6** 1 1/2" SAE 6000 psi/UNC
- F7** 2" SAE 6000 psi/M + G 1 1/2"
- F8** 2" SAE 6000 psi/UNC + SAE 24 - 1 7/8" - 12 UN

Filtration rating (filter media)

- A03** Inorganic microfiber 3 µm
- A06** Inorganic microfiber 6 µm
- A10** Inorganic microfiber 10 µm
- A16** Inorganic microfiber 16 µm
- A25** Inorganic microfiber 25 µm
- M25** Wire mesh 25 µm

Element Δp	Valves					
	S	B	T	D	V	Z
N 20 bar	-	•	-	-	-	-
R 20 bar	-	-	-	•	-	•
S 210 bar	•	-	•	-	•	-

Execution	Filter length				
	1	2	3	4	5
P01 MP Filtri standard	•	•	•	•	•
P02 Maintenance from the bottom of the housing	-	-	-	•	•
P03 Drain plug	•	•	-	-	-
Pxx Customized	•	•	•	•	•

FILTER ELEMENT

Element series and size **HP500** Configuration example: **HP500** | **4** | **A06** | **A** | **S** | **P01**

Element length

1 | **2** | **3** | **4** | **5**

Filtration rating (filter media)

- A03** Inorganic microfiber 3 µm
- A06** Inorganic microfiber 6 µm
- A10** Inorganic microfiber 10 µm
- A16** Inorganic microfiber 16 µm
- A25** Inorganic microfiber 25 µm
- M25** Wire mesh 25 µm

Seals	
A	NBR
V	FPM

Element Δp	
N	20 bar
R	20 bar
S	210 bar

Execution	
P01	MP Filtri standard
Pxx	Customized

CLOGGING INDICATORS

See page 687

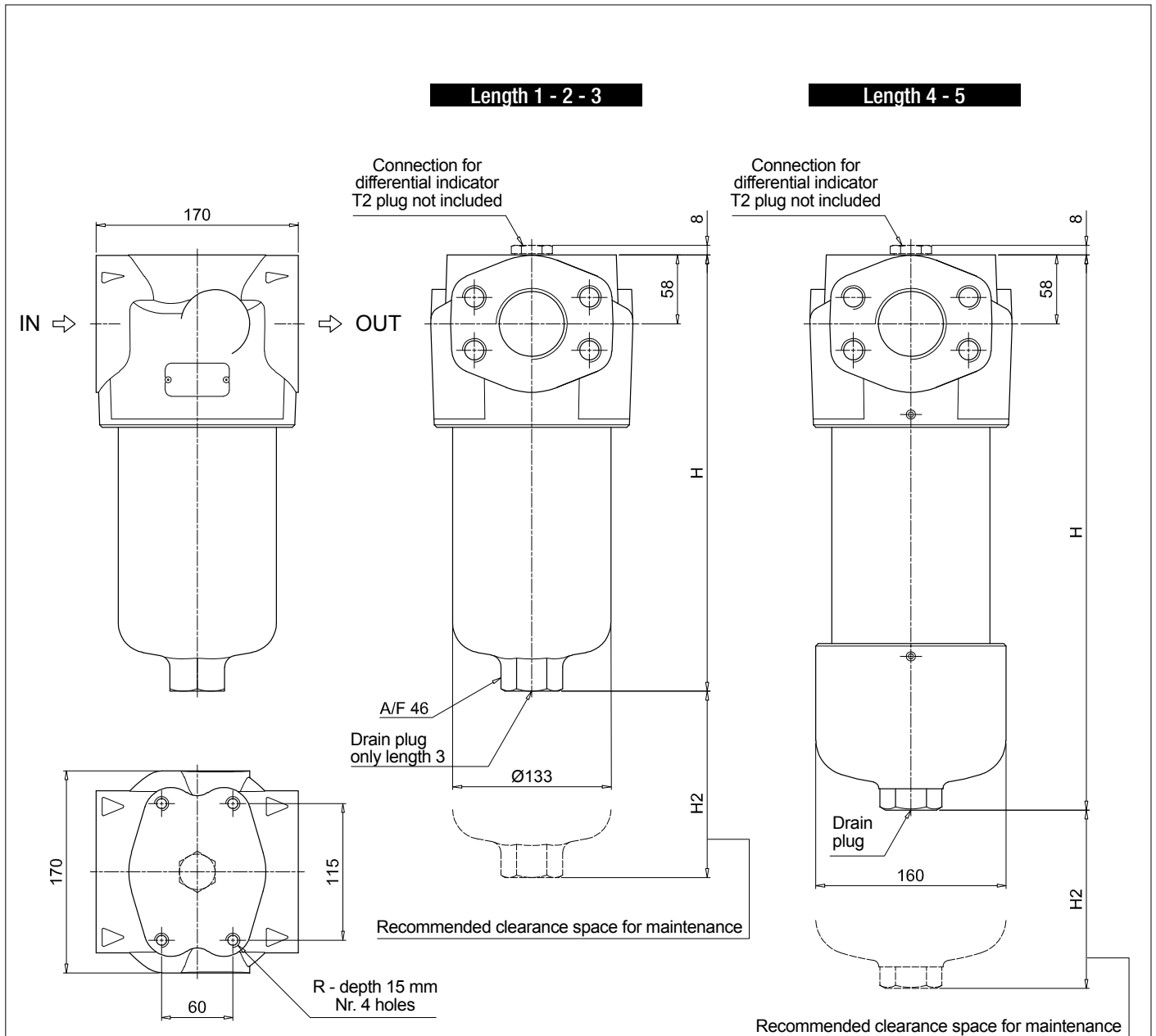
- DEA** Electrical differential indicator
- DEM** Electrical differential indicator
- DLA** Electrical / visual differential indicator
- DLE** Electrical / visual differential indicator

- DTA** Electrical differential indicator
- DVA** Visual differential indicator
- DVM** Visual differential indicator

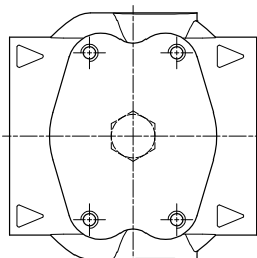
PLUGS

See page 706

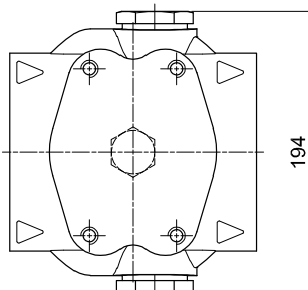
- T2** Differential indicator plug (not included)



Valves S - B - T - D



Valves V - Z



FHP500

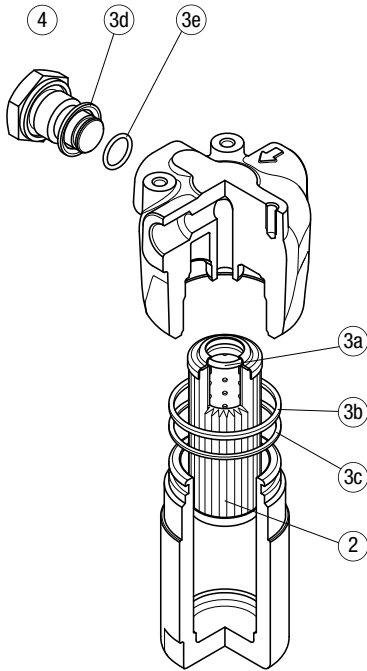
Filter length	H [mm]	H2 [mm]	
		Execution P01	P02
1	330	150	-
2	420	150	-
3	496	150	-
4	654	150	480
5	820	150	650

Connections	R
F1	M12
F2	1/2" UNC
F3	M12
F4	1/2" UNC
F5	M12
F6	1/2" UNC
F7	M12
F8	1/2" UNC

FHP SPARE PARTS

Order number for spare parts

FHP 010 - 011

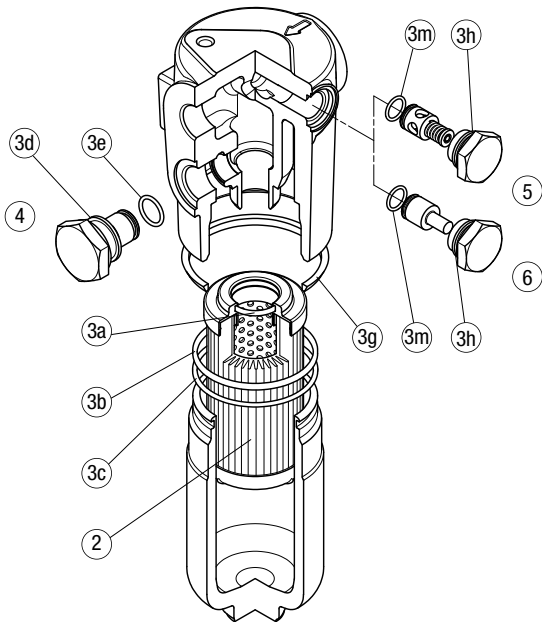


Q.ty:
nr. 0 pcs. for version 1
(without indicator port)

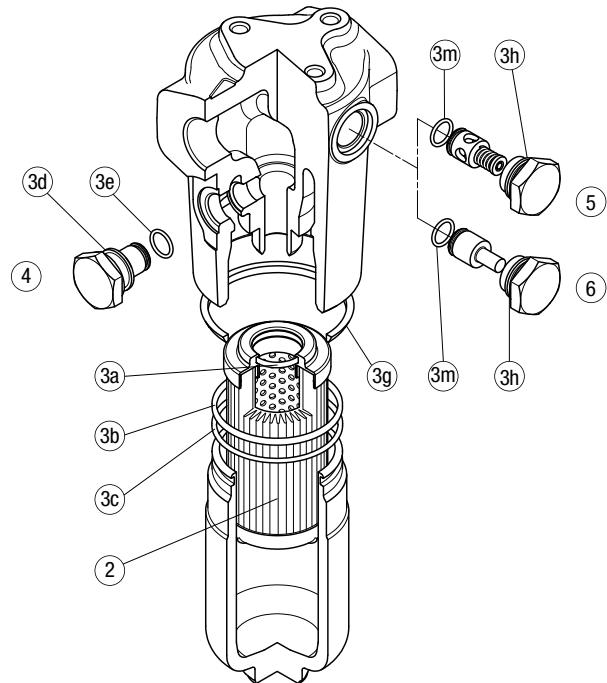
nr. 1 pc. for version 2
(with indicator port)

Item:	Q.ty: 1 pc. 2	Q.ty: 1 pc. 3 (3a ÷ 3e)		Q.ty: 1 pc. 4	
Filter series	Filter element	Seal Kit code number		Indicator connection plug	
		NBR	FPM	NBR	FPM
FHP 010-011	See order table	02050501	02050492	T2H	T2V

FHP 065



FHP 135

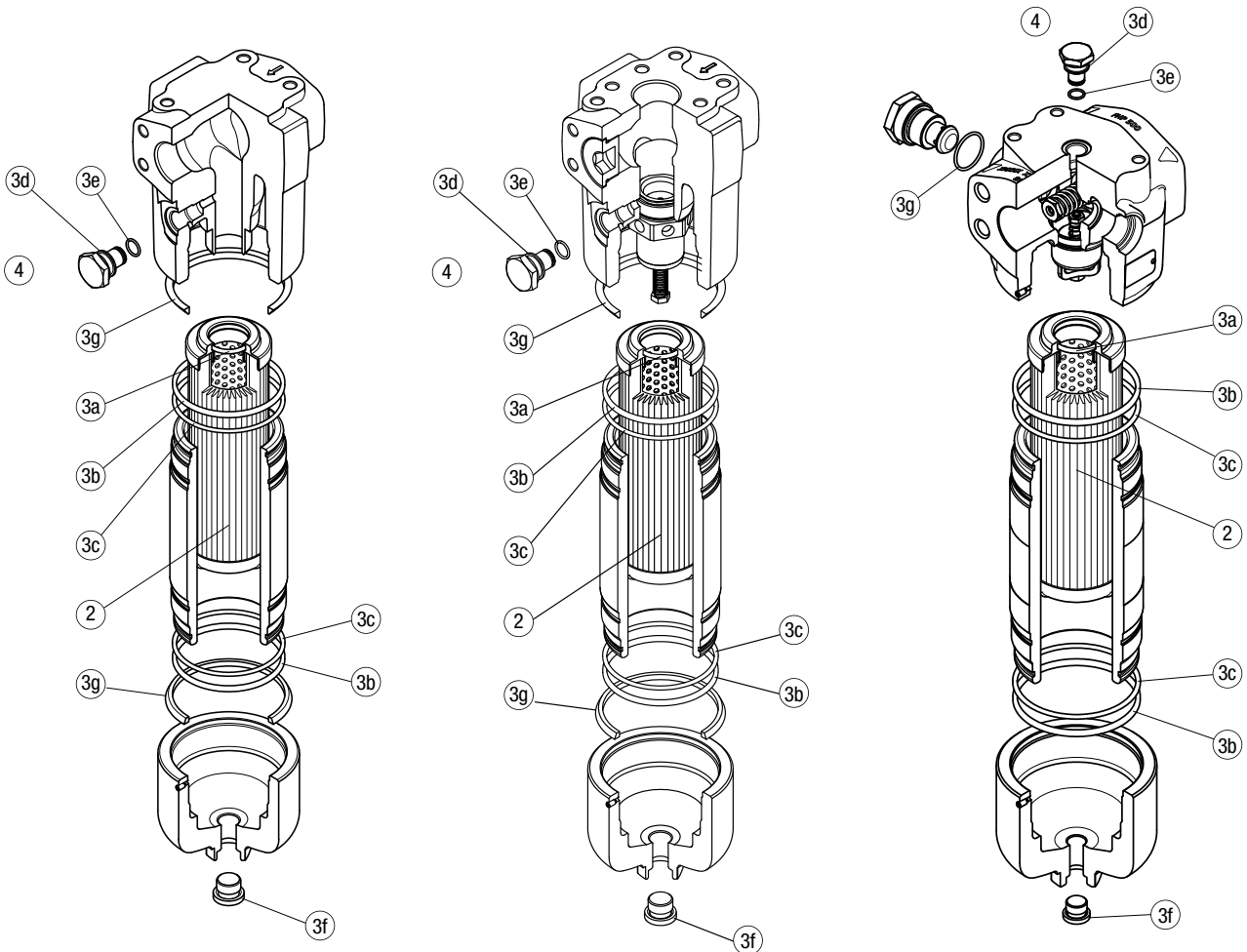


Item:	Q.ty: 1 pc. 2	Q.ty: 1 pc. 3 (3a ÷ 3m)		Q.ty: 1 pc. 4		Q.ty: 1 pc. 5		Q.ty: 1 pc. 6	
Filter series	Filter element	Seal Kit code number		Indicator connection plug		Bypass assembly		Non-bypass assembly	
		NBR	FPM	NBR	FPM	NBR	FPM	NBR	FPM
FHP 065	See order table	02050265	02050276	T2H	T2V	02001116	02001136	02001142	02001139
FHP 135	See order table	02050269	02050280			02001117	02001137	02001143	02001392

FHP 350

FHP 351

FHP 500



Item:	Q.ty: 1 pc.	Q.ty: 1 pc.		Q.ty: 1 pc.	
Filter series	Filter element	Seal Kit code number		Indicator connection plug	
		NBR	FPM	NBR	FPM
FHP 350 - 351	See order table	02050272	02050283	T2H	T2V
FHP 500		02050330	02050331		