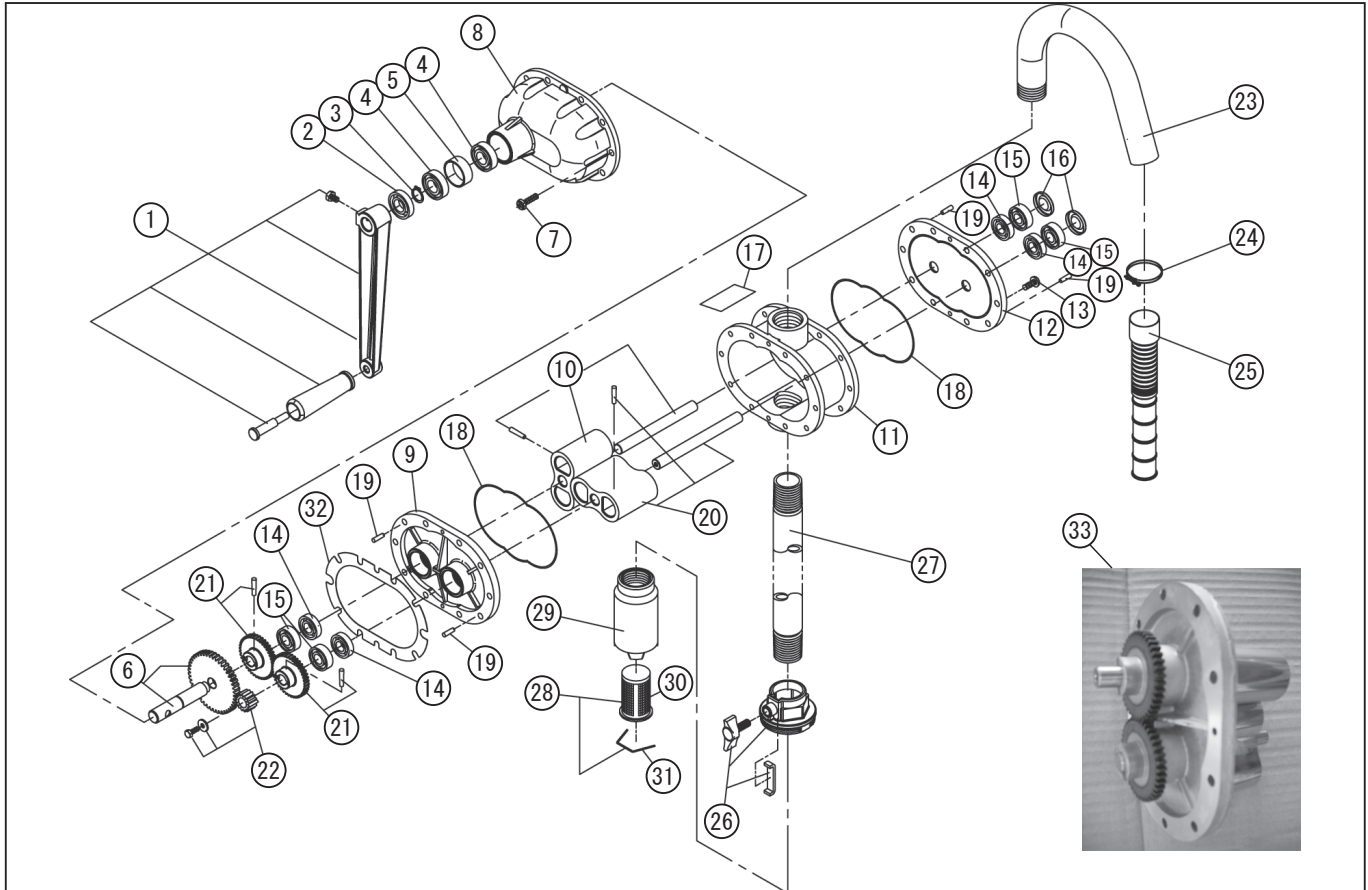


DWG No.003850431 MODEL:LP-32 FORM:LP-32-BAA-6

No.	PARTS CODE	PARTS NAME	QTY	MATERIAL/SIZE	REMARKS
1	0038001	HANDLE ASSY	1		
2	893555055	OIL SEAL	1	SC 15327 NBR	
3	888327015	STOP RING	1	1 5 SK	
4	0030119	BEARING	2	6002	
5	0030023	BEARING COLLAR	1		
6	0038002	LP-32 GEAR ASSY	1		
7	0030062	+ SCREW	10	M 6 × 2 2	
8	0030103	GEAR COVER	1	ADC	0038023 ONLY
9	0030101	INSIDE COVER	1	ADC	0038027 ONLY
10	0038003	ROOTS 2ND SHAFT ASSY	1		0038027 ONLY
11	0030122	LP-32-1 HOUSING	1	ADC	
12	0030102	OUT COVER	1	ADC	
13	0030063	+ SCREW	10	M 6 × 1 5	
14	893755032	OIL SEAL	4	TC 12.28.7 NBR	
15	0030118	BEARING	4	6001	
16	0030021	BEARING CAP	2	SPGC	
17	0030032	LP-32-BAA-6 NAME PLATE	1		
18	0030120	O-RING	2	NBR JSR N220S	
19	848609074	TAPER PIN	4	5 × 1 0	
20	0038004	ROOTS SHAFT ASSY	1		0038027 ONLY
21	0038006	TIMING GEAR ASSY	2		0038027 ONLY
22	0038005	PINION GEAR ASSY	1		
23	0030017	BEND	1		
24	940019036	HOSE BAND	1	φ 3 6	
25	0030044	DELIVERY HOSE	1	PE	
26	0018024	SB-25 LARGE SCREW ASSY	1		
27	0030016	SUCTION PIPE	1		
28	0038007	STRAINER ASSY	1		30,31
29	0030012	FILTER BODY	1	FC-20	
30	0030061	STRAINER ASSY	1		

◆ Bare engine can not be supplied



DWG No.003850431 MODEL:LP-32 FORM:LP-32-BAA-6

No.	PARTS CODE	PARTS NAME	QTY	MATERIAL/SIZE	REMARKS
31	0030013	FILTER STOPPER	1	SUS	
32	0030065	GEAR COVER PACKING	1		
33	0038027	INSIDE COVER ROOTS GEAR ASSY	1		9,10,14,15,20,21
	0038022	LP-32 OUT COVER ASSY	1		12,14,15,16
	0038023	LP-32 GEAR COVER ASSY	1		2,3,4,5,6,8
	0030059	OPERATION MANUAL	1		

◆ Bare engine can not be supplied