

3D model is available on request

Specifications

Type	85cc	85cc	105cc	105cc	
Part number	14571340	14571341	14571350	14571351	
Displacement	85.1	85.1	104.7	104.7	cc/rev
Port configuration	2 side	2 rear	2 side	2 rear	
Flange standard	ISO 7653-D	ISO 7653-D	ISO 7653-D	ISO 7653-D	
Shaft DIN-ISO 14	8*32*36	8*32*36	8*32*36	8*32*36	mm
Inlet - straight internal thread	1 1/4"	1 1/4"	1 1/4"	1 1/4"	BSP
Outlet - straight internal thread	1 1/4"	1 1/4"	1 1/4"	1 1/4"	BSP
Recommended suction hose diameter	1 3/4"	1 3/4"	1 3/4"	1 3/4"	inch
Torque at pressure "p2"	350	350	430	430	Nm
p2 : Max. pressure for tipping application	250	250	250	250	bar
p3 : Max. continuous pressure	230	230	230	230	bar
p1 : Max. peak pressure	255	255	255	255	bar
L : Length pump	184	187	196	199	mm
L2 : Length before ports	81	178	81	190	mm
W : Width pump	134	136	134	136	mm
W2 : Smaller width before ports	120	120	120	120	mm
H : Height pump	148.5	148.5	148.5	148.5	mm
A : Position side port	114	-	118	-	mm
B : Position rear port	-	34	-	34	mm
Mass	14	14	15	15	kg
Centre of gravity distance (COG)	87	89	93	95	mm
Flow at Max. speed	157	157	193	193	Nm
Max. speed at intermittent pressure*	2500	2500	2250	2250	rpm
Min. speed at intermittent pressure	300	300	300	300	rpm
Oil temperature range	min / max -40 / 80	-40 / 80	-40 / 80	-40 / 80	°C
Inlet pressure range (suction side)	min / max 0,7 / 3	0,7 / 3	0,7 / 3	0,7 / 3	bar
Recommended oil viscosity range	min / max 12 / 100	12 / 100	12 / 100	12 / 100	mm ² /s
Max. starting viscosity*	750	750	750	750	mm ² /s
Min. filtration	25	25	25	25	µm
Noise level at 1000 rpm and 100 bar	65	65	66	66	dB
Leak indicator included with the pump	Yes	Yes	Yes	Yes	
Gasket included with the pump	Yes	Yes	Yes	Yes	

* 2500 rpm for oil viscosity up to 100 cSt. 1000 rpm for cold start (750 cSt).

Technical notes

- Recommended oil is mineral based; for other fluids contact our engineering department
- Mentioned filtration is for tipper applications only
- To avoid cavitation, suction hose must be kept as short and straight as possible and oil viscosity should be respected at all operating temperatures
- Painted black (RAL9005)
- Leak indicator kit included and to be fitted with hose opening facing side or down.

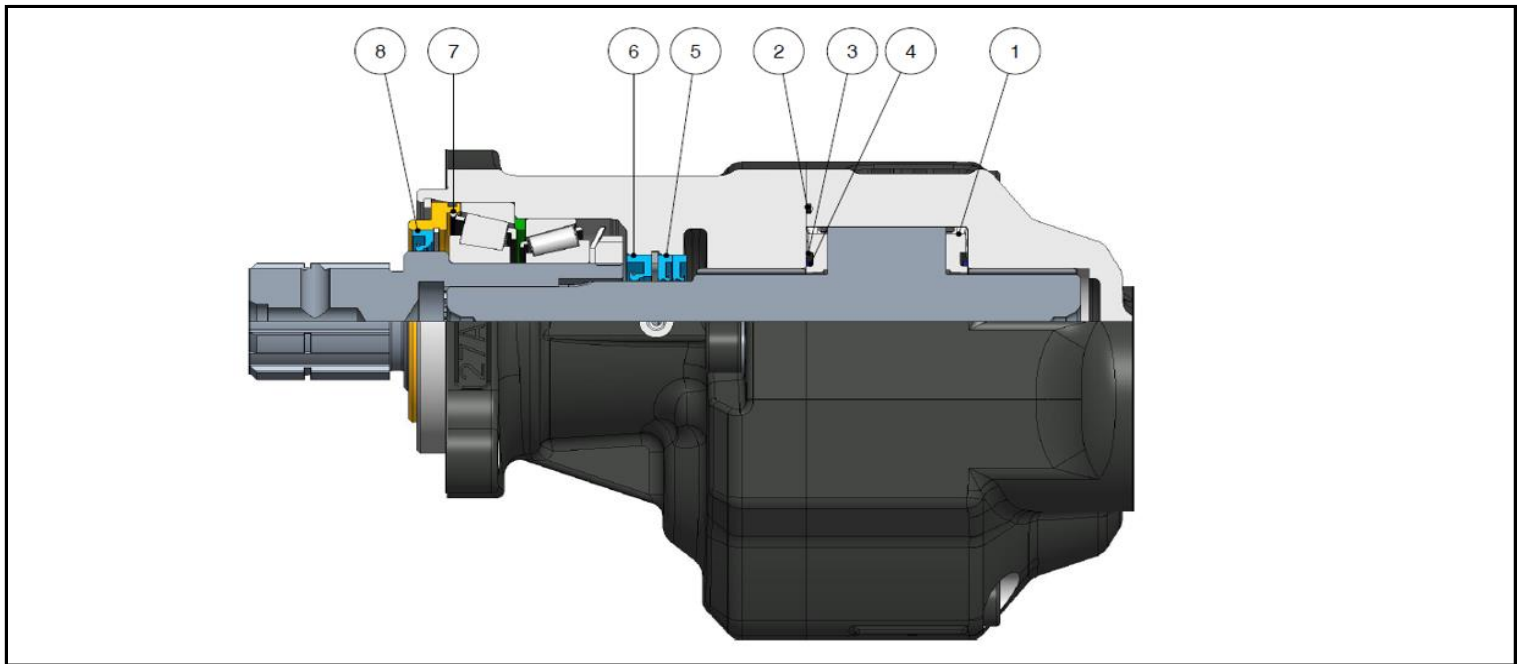
Related documentation

Mounting instructions : PUM-0016

Repair instructions : PUM-0015

Oil specifications: OIL-0011

Spare parts

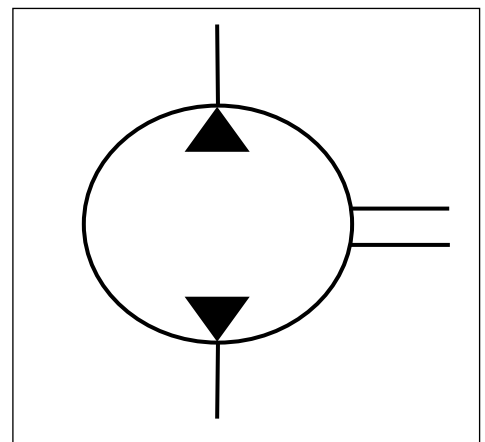


Spare parts

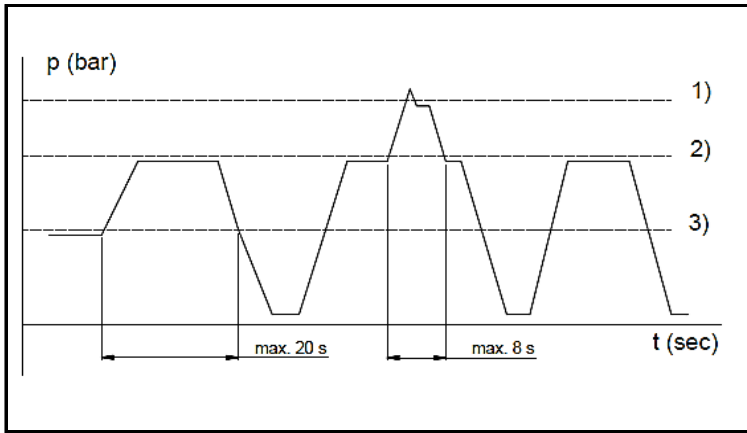
	Type	85cc	105cc
	Seal kit (parts : 2, 3, 4, 5, 6, 7 & 8)	02460015	02460015
1	Thrust plate	02259408	02259408
2	O-ring	see seal kit	see seal kit
3	Seal thrust plate	see seal kit	see seal kit
4	Back-up ring thrust plate	see seal kit	see seal kit
5	Shaft seal	see seal kit	see seal kit
6	Shaft seal	see seal kit	see seal kit
7	Shaft seal	see seal kit	see seal kit
8	Nilos ring	see seal kit	see seal kit
9	Leak indicator kit	02470180	02470180

* Leak indicator included with the pump

Hydraulic symbol pump

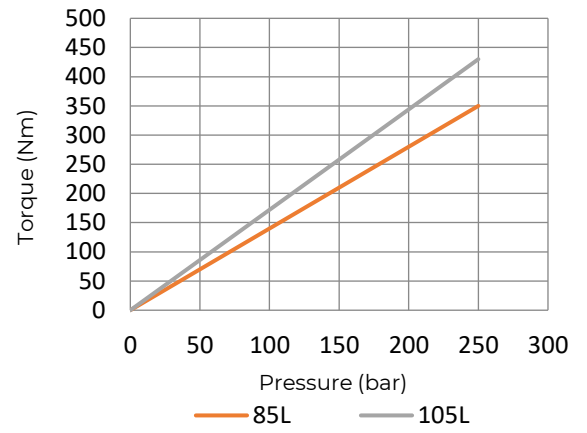


Pressure Definition



- p 1) Peak pressure
- p 2) Intermittent pressure e.g. tipping applications
- p 3) Continuous Pressure

Torque - Pressure characteristics



* PTO output torque must be higher than the torque required by the pump

Mounting options

