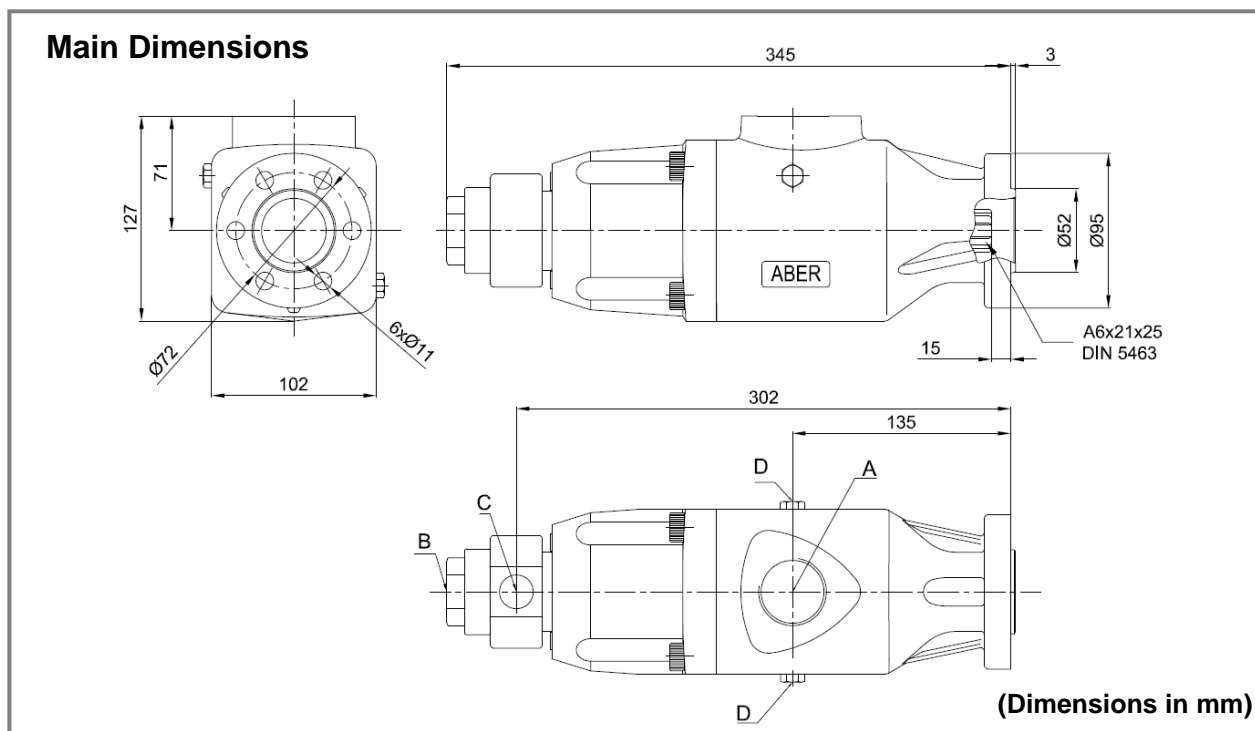




OIL-HYDRAULIC PUMP AXIAL PISTONS

Ref. BHD_UNI



Main Data						
Pumps BHD_UNI	20+20		25+25		30+30	
	B	C	B	C	B	C
Displacement (cm ³ /rot.)	20	20	25	25	30	30
Output at max. rotation (l/min)	40	40	45	45	45	45
Operating pressure (bar up to)	300		300		300	
Peak pressure (bar)	350		350		350	
Rotation min. (rpm)	200		200		200	
Rotation máx. (rpm)	2000		1800		1500	
Weight (kg)	13		14		14	
Sense of Rotation	Bi-directional					
A - Oil inlet (BSP)	1"1/4		1"1/4		1"1/4	
B - Oil outlet (BSP)	3/4"		3/4"		3/4"	
C - Oil outlet (BSP)	3/4"		3/4"		3/4"	
D	Oil drain plug					

How to order:

Example: Pump 30cm³+30cm³, operating pressure up to 300 bar, peak pressure 350 bar; ref. BHD with DIN 5463 (UNI) → BHD30+30UNI

ABER is constantly engaged in improving its products and, therefore, reserves itself the right to modify without any further notice the characteristics shown



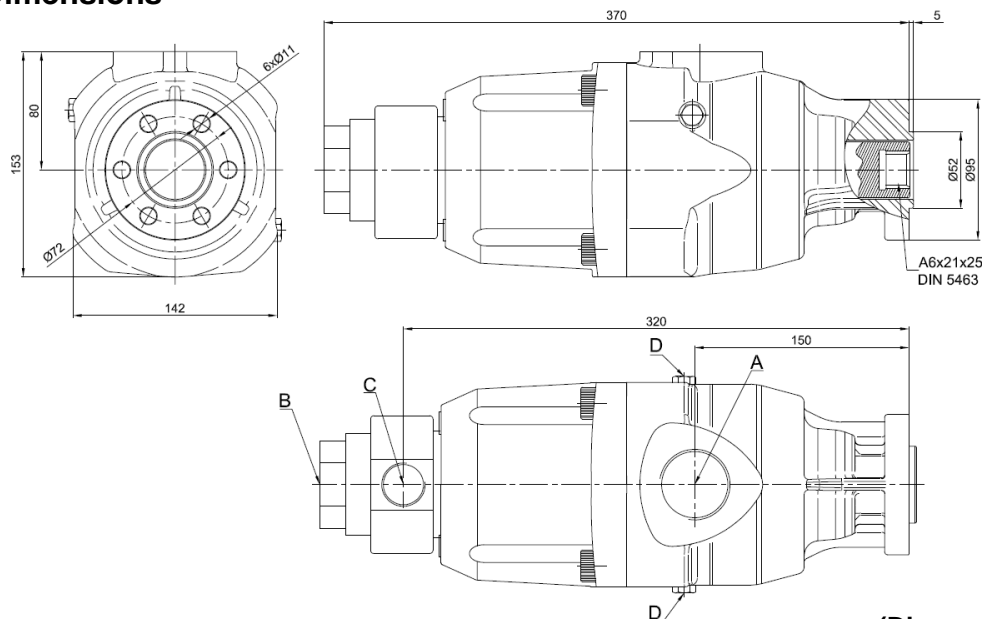
ABER - Embraiagens e Comandos Hidráulicos - A. B. LDA
 Rua Francisco de Almeida, Nº 30 – Vila Nova da Telha – 4470 MAIA - Portugal
 Telephone: +351.22.9438070 Fax: +351.22.9420823 e-mail: aber@aber.pt <http://www.aber.pt>



OIL-HYDRAULIC PUMP AXIAL PISTONS

Ref. BHD_UNI

Main Dimensions



(Dimensions in mm)

Main Data

Pumps BHD_UNI	40+40		45+45		50+50		53+53		60+30		65+22		72+38		80+21		80+27		83+42	
	B	C	B	C	B	C	B	C	B	C	B	C	B	C	B	C	B	C	B	C
Displacement (cm ³ /rot.)	40	40	45	45	50	50	53	53	60	30	65	22	72	38	80	21	80	27	83	42
Output at max. rotation (l/min)	60	60	72	72	60	60	66	66	90	45	104	35	86	46	100	26	100	34	83	42
Operating pressure (bar up to)	300		400		250		300		300		400		250		300		300		250	
Peak pressure (bar)	350		450		300		350		350		450		300		350		350		300	
Rotation min. (rpm)	200		200		200		200		200		200		200		200		200		200	
Rotation máx. (rpm)	1500		1600		1200		1250		1500		1600		1200		1250		1250		1000	
Weight (kg)	23		24		23		24		23		24		23		24		24		23	
Sense of Rotation	Bi-directional																			
A - Oil inlet (BSP)	2"		2"		2"		2"		2"		2"		2"		2"		2"		2"	
B - Oil outlet (BSP)	3/4"		3/4"		3/4"		3/4"		3/4"		3/4"		3/4"		3/4"		3/4"		3/4"	
C - Oil outlet (BSP)	3/4"		3/4"		3/4"		3/4"		3/4"		3/4"		3/4"		3/4"		3/4"		3/4"	
D	Oil drain plug																			

How to order:

Example: Pump 40cm³+40cm³, operating pressure up to 300 bar, peak pressure 350 bar; ref. BHD with DIN 5463 (UNI) → BHD40+40UNI

ABER is constantly engaged in improving its products and, therefore, reserves itself the right to modify without any further notice the characteristics shown



ABER - Embraiagens e Comandos Hidráulicos - A. B. LDA

Rua Francisco de Almeida, Nº 30 – Vila Nova da Telha – 4470 MAIA - Portugal

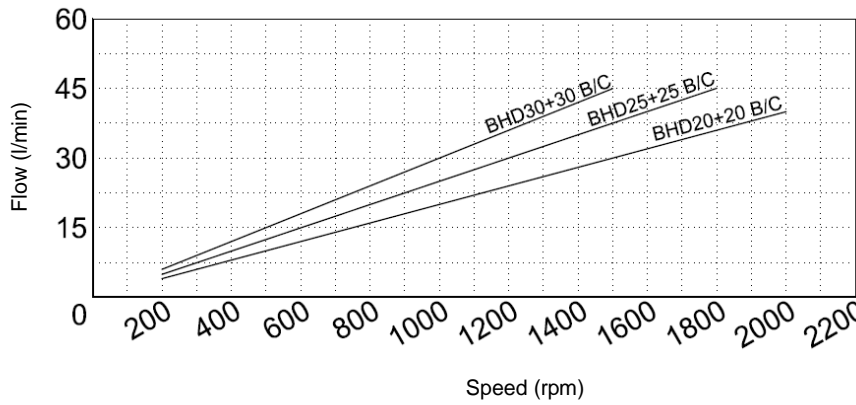
Telephone: +351.22.9438070 Fax: +351.22.9420823 e-mail: aber@aber.pt <http://www.aber.pt>



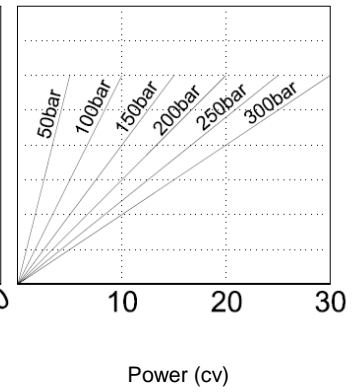
OIL-HYDRAULIC PUMP AXIAL PISTONS

Ref. BHD_UNI

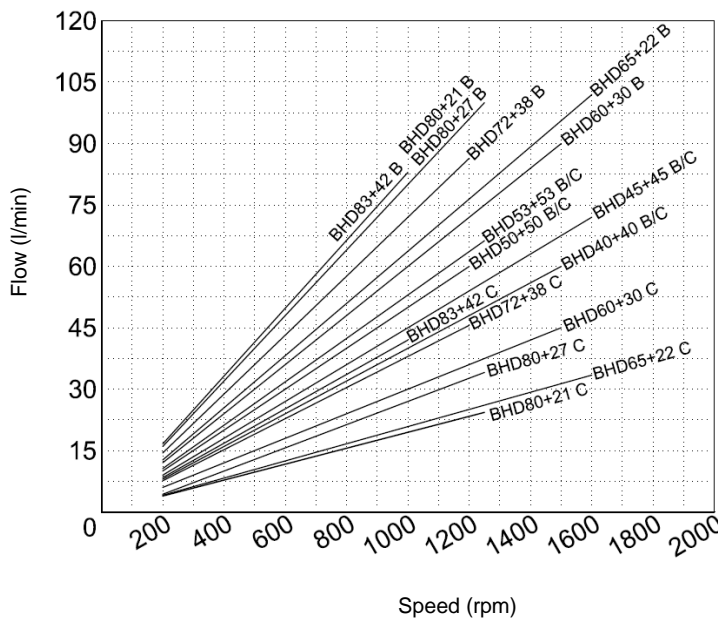
**Diagram
Flow - Speed**



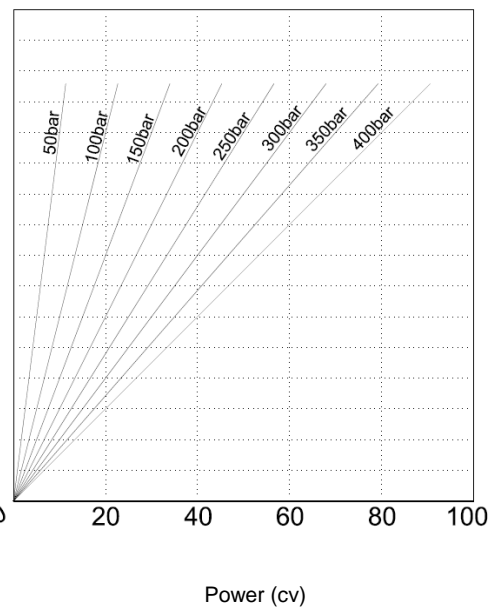
**Diagram
Input Power - Flow - Pressure**



**Diagram
Flow - Speed**



**Diagram
Input Power - Flow - Pressure**



CTI BHD_UNI 1310-0

ABER is constantly engaged in improving its products and, therefore, reserves itself the right to modify without any further notice the characteristics shown



ABER - Embraigens e Comandos Hidráulicos - A. B. LDA
 Rua Francisco de Almeida, Nº 30 – Vila Nova da Telha – 4470 MAIA - Portugal
 Telefone: +351.22.9438070 Fax: +351.22.9420823 e-mail: aber@aber.pt <http://www.aber.pt>



OIL-HYDRAULIC PUMP AXIAL PISTONS

Ref. BHD_UNI

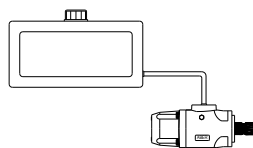
Hose dimensions

Inlet Hose	
Flow B+C (l/min)	Internal pipe diameter (inch)
30-40	1"1/4
50-60	1"1/2
70-90	1"3/4
100-120	2"
130-150	2"1/4

Outlet Hose					
Flow B or C (l/min)	Internal pipe diameter (inch)				
	30	1/2"	1/2"	1/2"	1/2"
40	5/8"	1/2"	1/2"	1/2"	1/2"
50	5/8"	5/8"	5/8"	1/2"	1/2"
60	3/4"	5/8"	5/8"	5/8"	5/8"
70	1"	3/4"	3/4"	5/8"	5/8"
80	1"	3/4"	3/4"	3/4"	3/4"
90	1"	1"	1"	3/4"	3/4"
100	1"	1"	1"	1"	3/4"
110	1"	1"	1"	1"	1"
	50-100	100-150	150-200	200-300	300-400
	P (bar)				

IMPORTANT NOTES:

- ✓ Other axis available, please consult "Axel options"
- ✓ Diameter of inlet pipes lower than indicated in our technical catalogues as well as a poor sealing can cause cavitation phenomenon to occur, thereby deteriorating the pump
- ✓ Keep up the deposit above pump level
- ✓ Used always return filters. We recommend filters with mesh equal to or lower than 25 µm
- ✓ The connection of inlet pipes in the pump, can be done by threading or flange and the sealing by orring
- ✓ Use a good quality mineral hydraulic-oil with viscosity at operating temperature between 20 and 46 cSt
- ✓ Fill the oil tank to 85% of its maximum capacity (the remainder 15% must not have oil)



Keep up the deposit above pump level

ABER is constantly engaged in improving its products and, therefore, reserves itself the right to modify without any further notice the characteristics shown



ABER - Embraiagens e Comandos Hidráulicos - A. B. LDA

Rua Francisco de Almeida, Nº 30 – Vila Nova da Telha – 4470 MAIA - Portugal

Telephone: +351.22.9438070 Fax: +351.22.9420823 e-mail: aber@aber.pt <http://www.aber.pt>