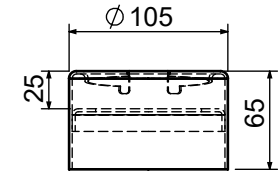
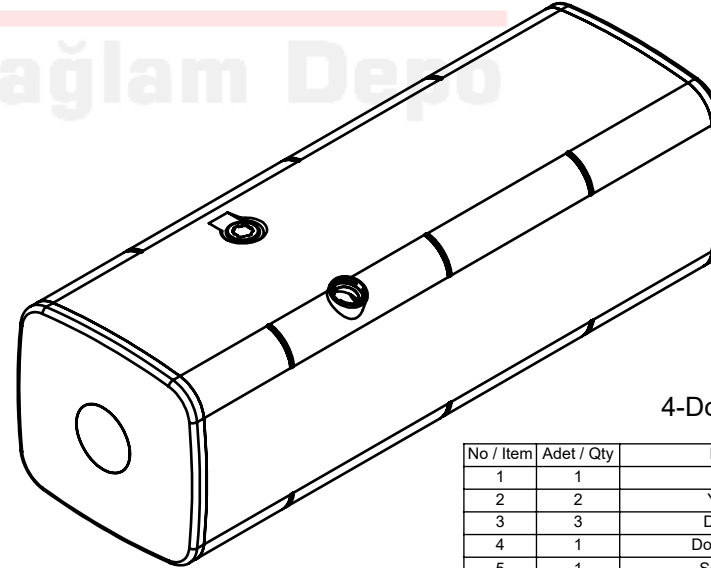
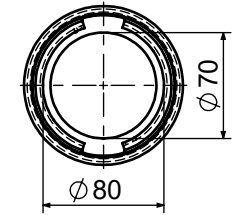


5-Şamandra / Level sensor



4-Dolum Boğazı / Filling Neck(Ø80mm)



No / Item	Adet / Qty	Parça Adı / Part Name	Malzeme / Material
1	1	Gövde / Body	Aluminum 5754 H22 - 2,5mm
2	2	Yan Kapak / Side Plate	Aluminum 5754 H111 - 2,5mm
3	3	Dalgakıran / Baffle Plate	Aluminum 5754 H111 - 2,5mm
4	1	Dolum Boğazı / Filling Neck	Aluminum 5754 H111 - 2,5mm
5	1	Şamandra / Level Sensor	
6	1	Emiş,Tahliye / Suction Adater / Nut 1/2" BSP	Aluminum 6082
7	1	Rondela / Washer Ø22mm	Aluminum 6082
8	1	Emiş,Tahliye / Suction Adater / Bolt 1/2" BSP	Aluminum 6082

İsim/Name	İmza/Signature	Boyut / Dimensions-A4	Belge/Document:ECE R34	Ağırlık/Weight
Çizen / Drafter	Murat Oktay	Malzeme/Material	5754 Almuninum	Tarih/Date
Onay /Approval	Murat Oktay	Parça Adı/Part Name	MAN FUEL TANK	Tolerance/Tolerans
Ölçek / Scale		Açıklama/Explanation	620X675X2080MM - 800LT	Sayfa/Page