

Huawei SmartAX EA5801 OLT Datasheet



Router-Switch.com
Leading Network Hardware Supplier

CONTENT

Content	1
Overview	2
Models & Appearance	2
Key Features and Benefits	2
Product Specifications	3
Primary Features	4
Standards Compliance	6
Basic Ordering Information.....	8
Where to Buy	9
Sources.....	9

Contact Us

Tel: +1-626-239-8066 (USA) +852-3050-1066 / +852-3174-6166

Fax: +852-3050-1066 (Hong Kong)

Email: sales@router-switch.com (Sales Inquiries)

Overview

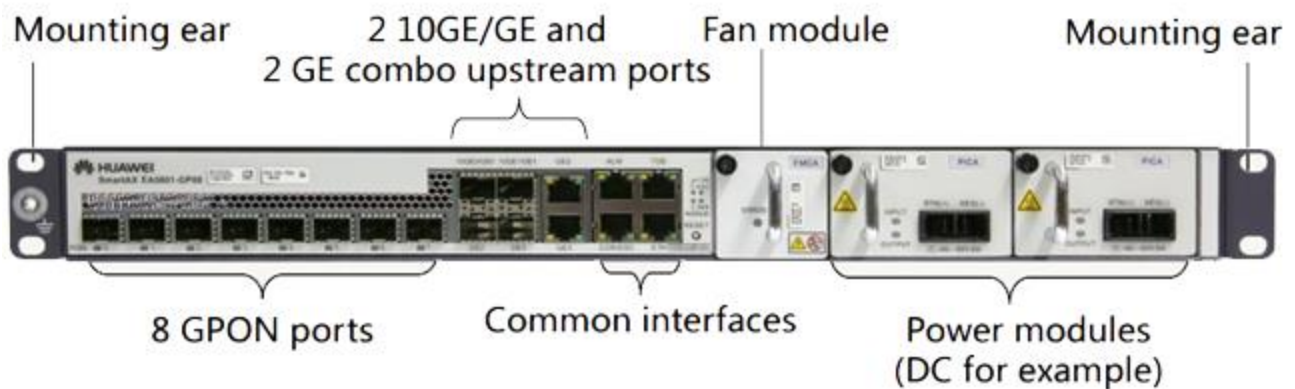
The EA5801 is a compact and low-density box-shaped OLT. It provides GPON or XG-PON&GPON combo access, and supports passive optical LAN (POL) and fiber to the home (FTTH) solutions. It carries all services over one fiber network, simplifying network architecture and reducing OPEX.

The EA5801 houses integrated control and service module, 1 pluggable fan module and 2 pluggable power modules.

Models & Appearance

The EA5801 supports two types of subbracks: EA5801-GP08 and EA5801-CG04. The appearance is as follows.

EA5801-GP08



EA5801-CG04



Key Features and Benefits

Light-Weight OLT, Adapting to Various Scenarios

The EA5801 is a box-shaped OLT that requires 1 U installation space, making it applicable to access point convergence on a small scale. It is suitable for lightweight deployment in enterprises. One OLT can meet the service carrying requirements for an enterprise or campus.

PON Combo Technology

The EA5801-CG04 supports the PON combo technology, and can work with the built-in WDM1r optical module to support smooth evolution from GPON to XG-PON.

Rapid Deployment, Facilitating Installation and Saving Engineering Cost

The EA5801 can be installed in indoors or outdoors cabinets. When installed outdoors, it can be easily deployed in high temperatures, conserving man power and cabinet space.

Product Specifications

Item	Value
Width x Depth x Height (mm)	Excluding mounting ears: 442×222.3×43.6 Including IEC mounting ears: 482.6×222.3×43.6 Including ETSI mounting ears: 535×222.3×43.6
Power supply mode	<ul style="list-style-type: none">• DC power supply (dual for backup)• AC power supply (dual for backup)
Working voltage range	<ul style="list-style-type: none">• DC power supply: -38.4 V to -72 V• AC power supply: 100 V to 240 V
Rated voltage	<ul style="list-style-type: none">• DC power supply: -48 V/-60 V• AC power supply: 110V/220V
Maximum input current	<ul style="list-style-type: none">• DC power supply: 6 A• AC power supply: 2.5 A
Ambient temperature	-40°C to +65°C* It can start up at a lowest temperature of -25°C . *The +65°C temperature refers to the highest temperature measured at the air intake vent.
Ambient humidity	5% RH to 95% RH
Atmospheric pressure	70 kPa to 106 kPa

Altitude	< 4000 m** **The air density varies with the altitude and will affect the heat dissipation of a device. Therefore, the working environment temperature of the device varies with the altitude.
System Layer 2 packet forwarding rate	13 Mpps
MAC address	32768
Access ONT	1024
IPv4 routing table	8192
IPv6 routing table	4096
ARP table	16384
Bit error rate (BER) in full load	A BER smaller than 10 e-7 for a port that transmits data in full load
GE upstream ports	2 optical/electrical combo ports
10GE/GE upstream ports	2
Service ports	<ul style="list-style-type: none"> • EA5801-GP08: 8 GPON • EA5801-CG04: 4 XG-PON&GPON combo

Primary Features

Layer 2 features

- VLAN+MAC forwarding
- SVLAN+CVLAN forwarding
- PPPoE+
- DHCP option82

Multicast

- IGMP v2/v3
- IGMP proxy/snooping
- MLD v1/v2
- MLD Proxy/Snooping
- VLAN-based IPTV multicast
- IPv4 PIM and PIM-SSM

Layer 3 features

- Static route
- RIP/RIPng
- OSPF/OSPFv3
- IS-IS
- BGP/BGP4+
- ARP
- DHCP relay
- VRF

QoS

- Traffic classification
- Priority processing
- trTCM-based traffic policing
- WRED
- Traffic shaping
- PQ/WRR/PQ+WRR
- ACL

IPv6

- IPv4/IPv6 dual stack
- IPv6 L2 and L3 forwarding
- DHCPv6 relay

System reliability

- GPON type B/type C protection
- ERPS (G.8032)
- MSTP
- 2 power boards for redundancy protection
- In-service board fault detection and rectification
- Service overload control

Standards Compliance

EMC standards

IEC 61000-3-2	ETSI ES 201 468
IEC 61000-3-3	ETSI EN 300 386
IEC 61000-4-2	ETSI EN 300 132-2
IEC 61000-4-3	ETSI EN 300 253
IEC 61000-4-4	VCCI V-3
IEC 61000-4-5	EN 55024
IEC 61000-4-6	EN 55032
IEC 61000-4-11	ITU-T K.20
IEC 61000-4-29	CISPR 24
EN 61000-3-2	CISPR 32
EN 61000-3-3	ITU-T K.11
EN 61000-4-2	ITU-T K.20
EN 61000-4-3	ITU-T K.44
EN 61000-4-4	CFR 47 FCC Part 15
EN 61000-4-5	ICES 003
EN 61000-4-6	
EN 61000-4-29	

Environment protection standards

2011/65/EU (RoHS)
EN 50581:2012
EC NO. 1907/2006 (REACH)
2012/19/EU (WEEE)

Environment standards

ETS 300 019 1-1
ETS 300 019 1-2
ETS 300 019 1-3
ETS 300 019 2-1
ETS 300 019 2-2
IEC 60068-2
IEC 60721-2-6
IEC 60721-3-1
IEC 60721-3-2
IEC 60721-3-3
ETSI EN 300 753
NEBS GR-63-CORE

Security standards

EN 60950-1
EN 60825-1
EN 60825-2
IEC 60825-1
IEC 60825-2
IEC 60950-1
UL 60950-1
FDA rules, 21 CFR 1040.10 and 1040.11

Reliability standards

MIL-HDBK-217F
BELLCORE TR-332/SR-332

PON interface standards

ITU-T G.984.1	ITU-T G.987.1
ITU-T G.984.2	ITU-T G.987.2
ITU-T G.984.3	ITU-T G.987.3
ITU-T G.984.4	ITU-T G.988

Basic Ordering Information

Model	Product Description
EA5801-GP08-AC	Huawei EA5801-GP08, supports 8 GPON interfaces, AC Power
EA5801-GP08-DC	Huawei EA5801-GP08, supports 8 GPON interfaces, DC Power
EA5801-CG04-AC	Huawei EA5801-CG04, supports 4 PON&GPON combo interfaces, AC Power
EA5801-CG04-DC	Huawei EA5801-CG04, supports 4 PON&GPON combo interfaces, DC Power

Where to Buy

Want to buy this series of products? please contact:

- Tel: +1-626-239-8066 (USA)/ +852-3050-1066 / +852-3174-6166
- Fax: +852-3050-1066 (Hong Kong)
- Email: sales@router-switch.com (Sales Inquiries)

Or visit: [Huawei SmartAX EA5801 Series OLT](#)

About us

Router-switch.com, founded in 2002, is one of the biggest Global Network Hardware Supplier. We are a leading provider of network products with 14,500+ customers in over 200 countries. We provide original new and used network equipments (Cisco, Huawei, HPE, Dell, Juniper, EMC, etc.), including Routers, Switches, Servers, Storage, Telepresence and Videoconferencing, IP Phones, Firewalls, Wireless APs & Controllers, EHWIC/HWIC/VWIC Cards, SFPs, Memory & Flash, Hard Disk, Cables, and all kinds of network solutions related products.

Sources

<https://e.huawei.com/us/products/enterprise-transmission-access/access/olt/ea5801>