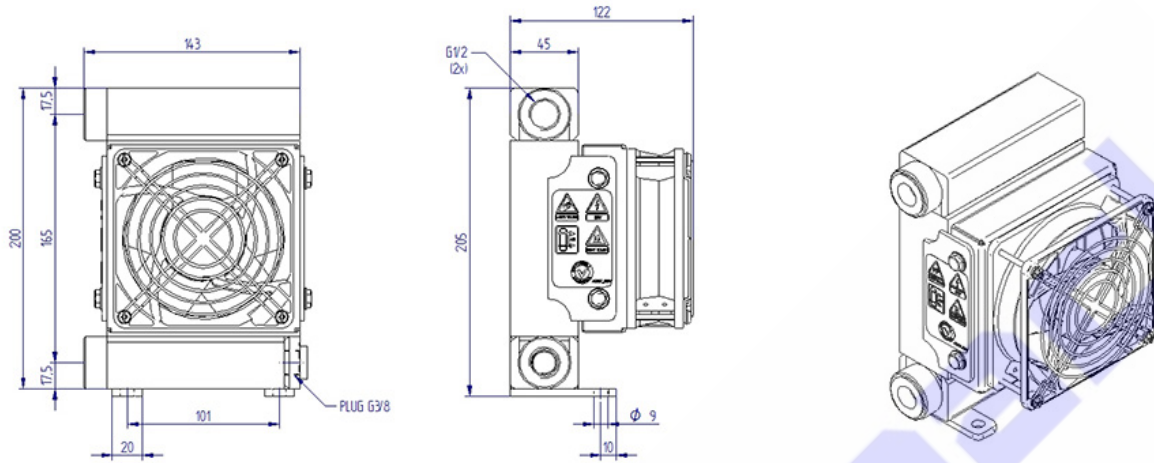


HY series
HY00501

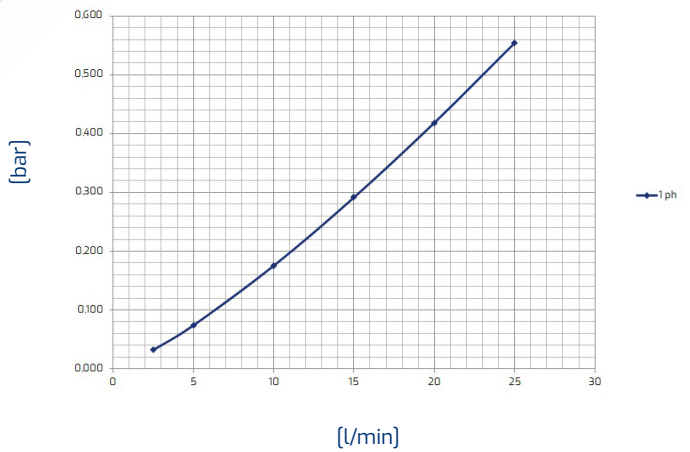
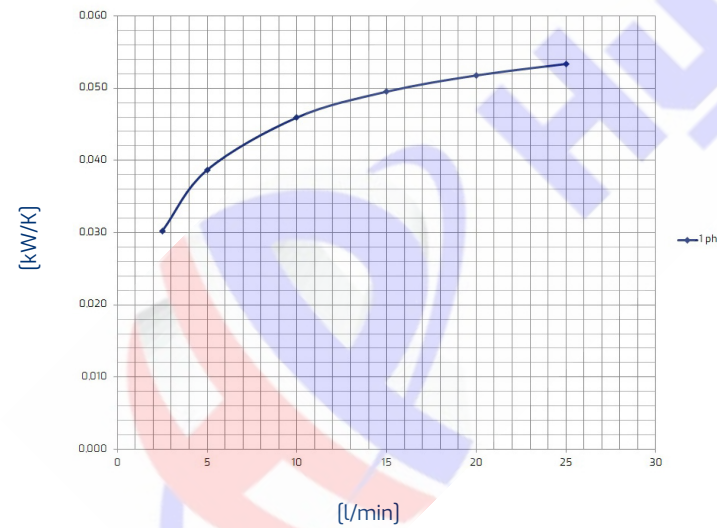


Technical data

Item	Oil flow [l/min]	Capacity [l]	Weight [kg]	Rpm	Voltage [V]	Frequency [Hz]	Current absorption [A]	Power [W]	Ø Fan [mm]	Air flow [m³/h]	Noise level [db(A)]
HY00501	2,5-25	0,6	3		230	50/60	0,15	30	115	240	47

Performance

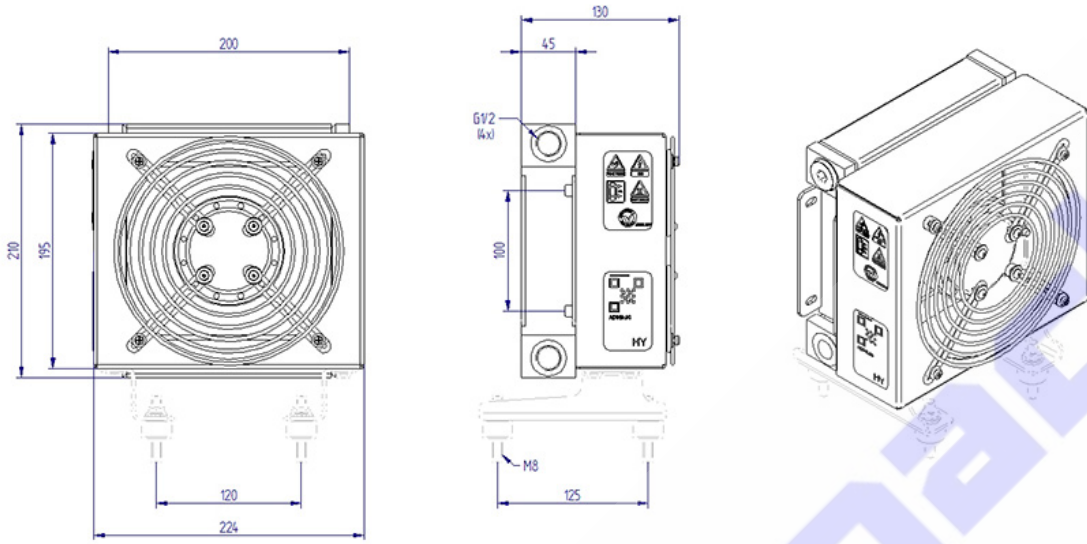
Pressure drop



Oil T 80°C
T Amb. 40°C

Viscosity - ISO VG 32 Oil					
Oil	22	32	46	68	150
Correction factor	0,8	1	1,2	1,6	3

HY series HY01001

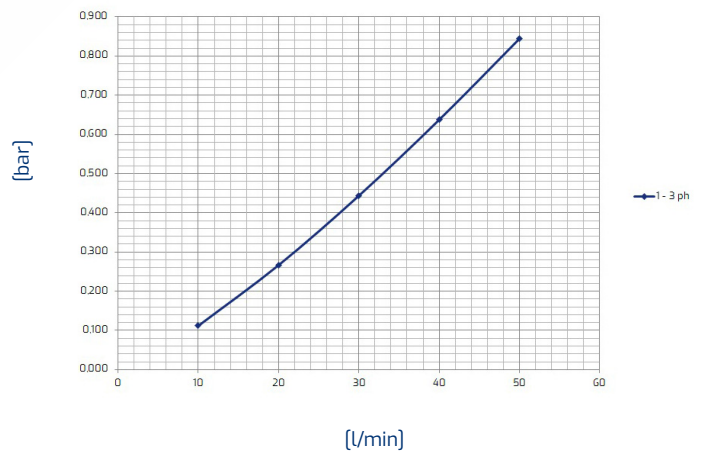
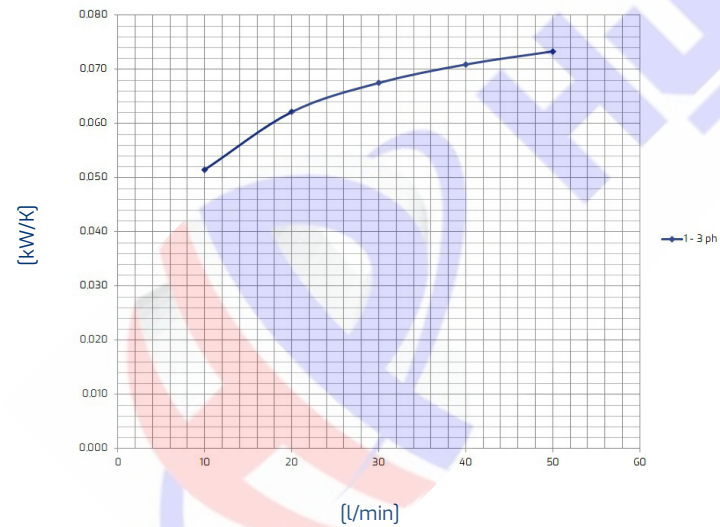


Technical data

Item	Oil flow [l/min]	Capacity [l]	Weight [kg]	Rpm	Voltage [V]	Frequency [Hz]	Current absorption [A]	Power [W]	Ø Fan [mm]	Air flow [m³/h]	Noise level [db(A)]
HY01001	10-50	0,7	5		230	50/60	0,23	47	170	330	62
HY01003	10-50	0,7	5		230/400	50/60	0,12	44	170	340	59

Performance

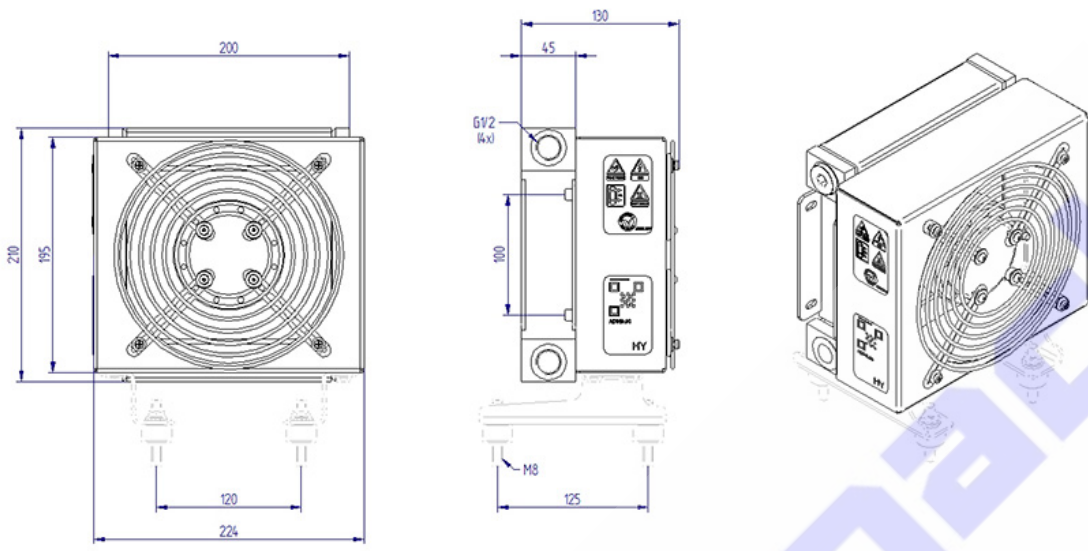
Pressure drop



Oil T 80°C
T Amb. 40°C

Viscosity - ISO VG 32 Oil

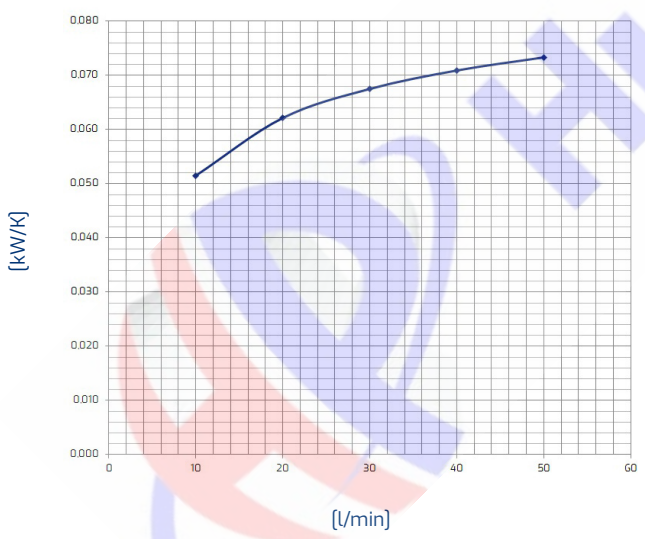
Oil	22	32	46	68	150
Correction factor	0,8	1	1,2	1,6	3



Technical data

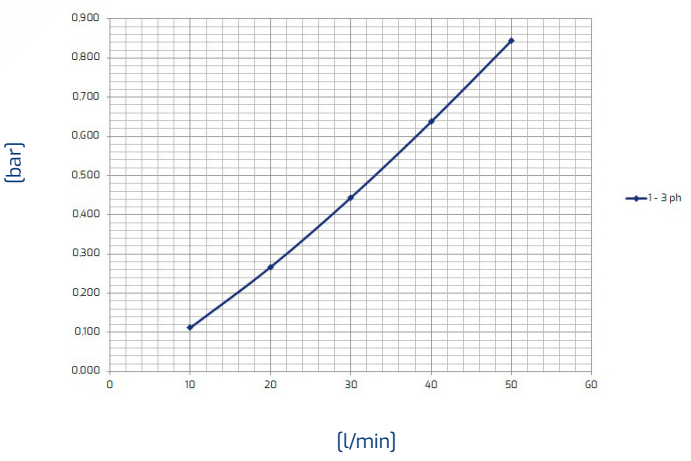
Item	Oil flow [l/min]	Capacity [l]	Weight [kg]	Rpm	Voltage [V]	Frequency [Hz]	Current absorption [A]	Power [W]	Ø Fan [mm]	Air flow [m³/h]	Noise level [db(A)]
HY01001	10-50	0,7	5		230	50/60	0,23	47	170	330	62
HY01003	10-50	0,7	5		230/400	50/60	0,12	44	170	340	59

Performance



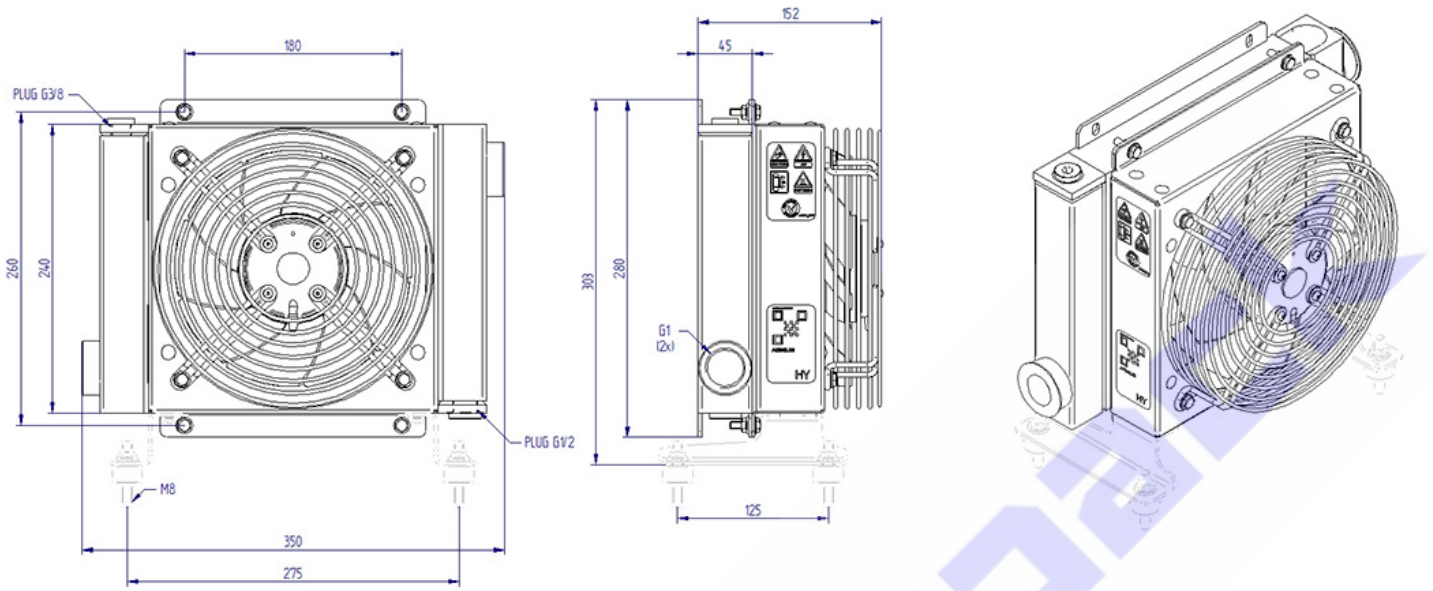
Oil T 80°C
T Amb. 40°C

Pressure drop



Viscosity - ISO VG 32 Oil					
Oil	22	32	46	68	150
Correction factor	0,8	1	1,2	1,6	3

HY series HY01601

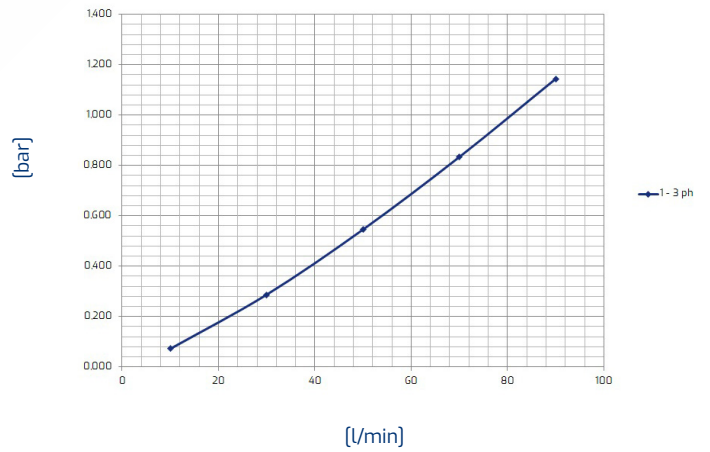
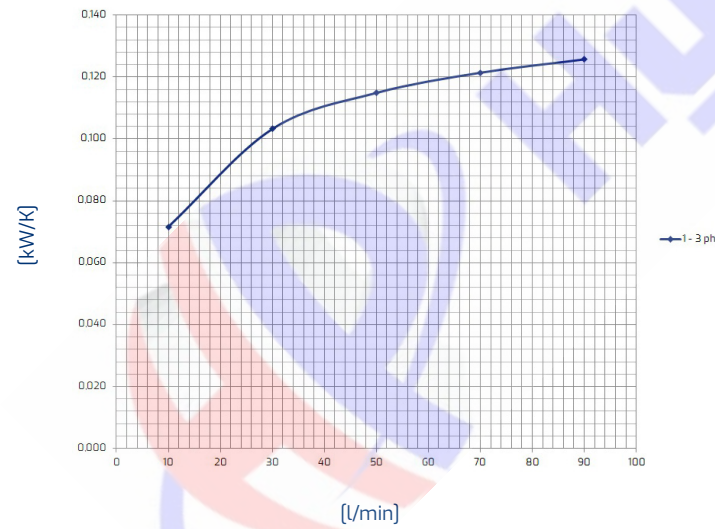


Technical data

Item	Oil flow [l/min]	Capacity [l]	Weight [kg]	Rpm	Voltage [V]	Frequency [Hz]	Current absorption [A]	Power [W]	Ø Fan [mm]	Air flow [m³/h]	Noise level [db(A)]
HY01601	10-90	0,7	7		230	50/60	0,34	64	200	735	65
HY01603	10-90	0,7	7		230/400	50/60	0,17	68	200	745	65

Performance

Pressure drop

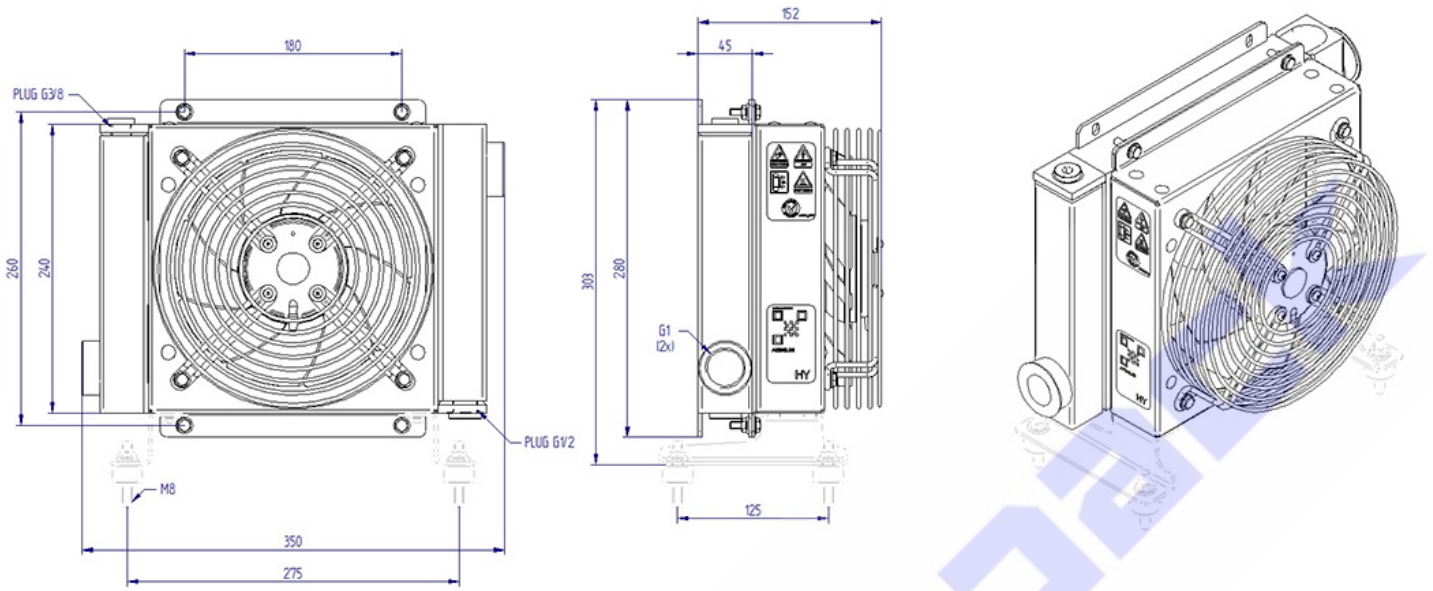


Oil T 80°C
T Amb. 40°C

Viscosity - ISO VG 32 Oil					
Oil	22	32	46	68	150
Correction factor	0,8	1	1,2	1,6	3

HY series

HY01603

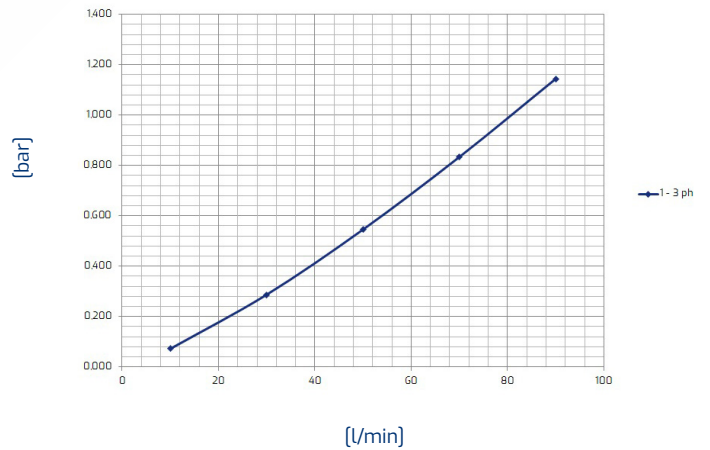
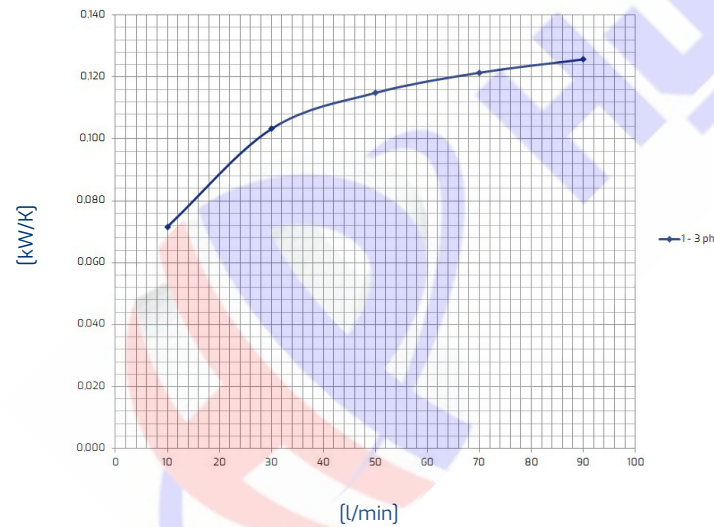


Technical data

Item	Oil flow [l/min]	Capacity [l]	Weight [kg]	Rpm	Voltage [V]	Frequency [Hz]	Current absorption [A]	Power [W]	Ø Fan [mm]	Air flow [m³/h]	Noise level [db(A)]
HY01601	10-90	0,7	7		230	50/60	0,34	64	200	735	65
HY01603	10-90	0,7	7		230/400	50/60	0,17	68	200	745	65

Performance

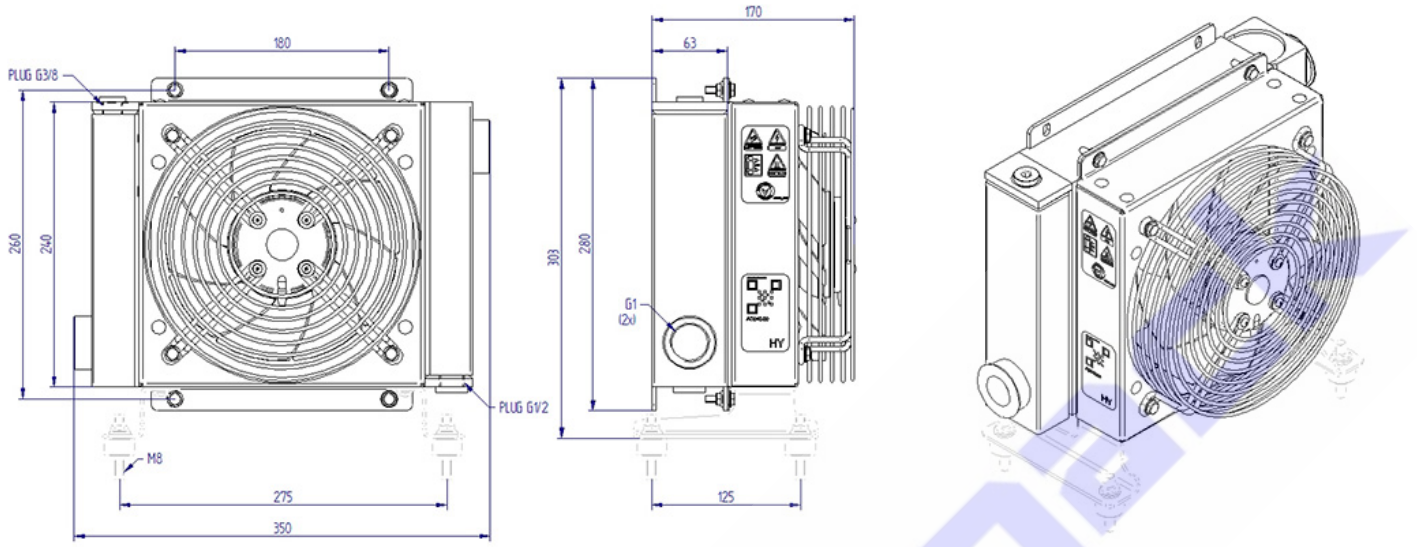
Pressure drop



Oil T 80°C
T Amb. 40°C

Viscosity - ISO VG 32 Oil					
Oil	22	32	46	68	150
Correction factor	0,8	1	1,2	1,6	3

HY series HY01801

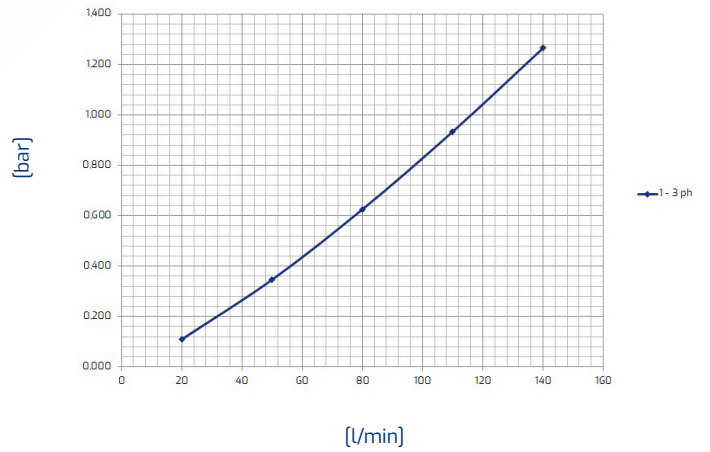
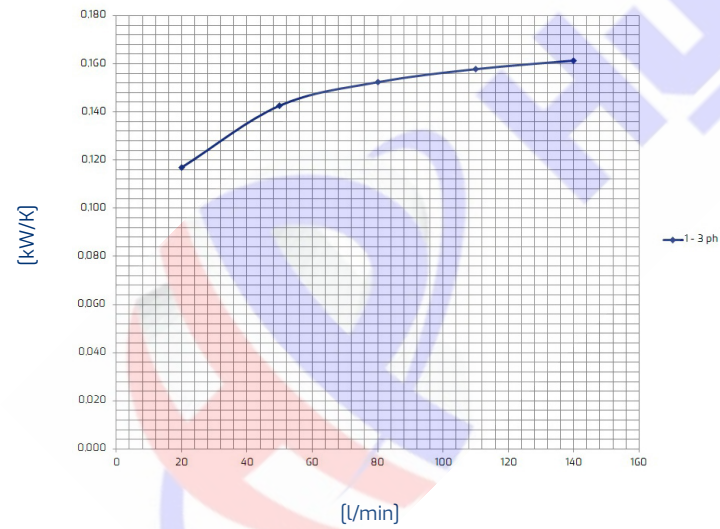


Technical data

Item	Oil flow [l/min]	Capacity [l]	Weight [kg]	Rpm	Voltage [V]	Frequency [Hz]	Current absorption [A]	Power [W]	Ø Fan [mm]	Air flow [m³/h]	Noise level [db(A)]
HY01801	20-140	1,5	8,5		230	50/60	0,30	69	200	680	65
HY01803	20-140	1,5	8,5		230/400	50/60	0,17	68	200	680	65

Performance

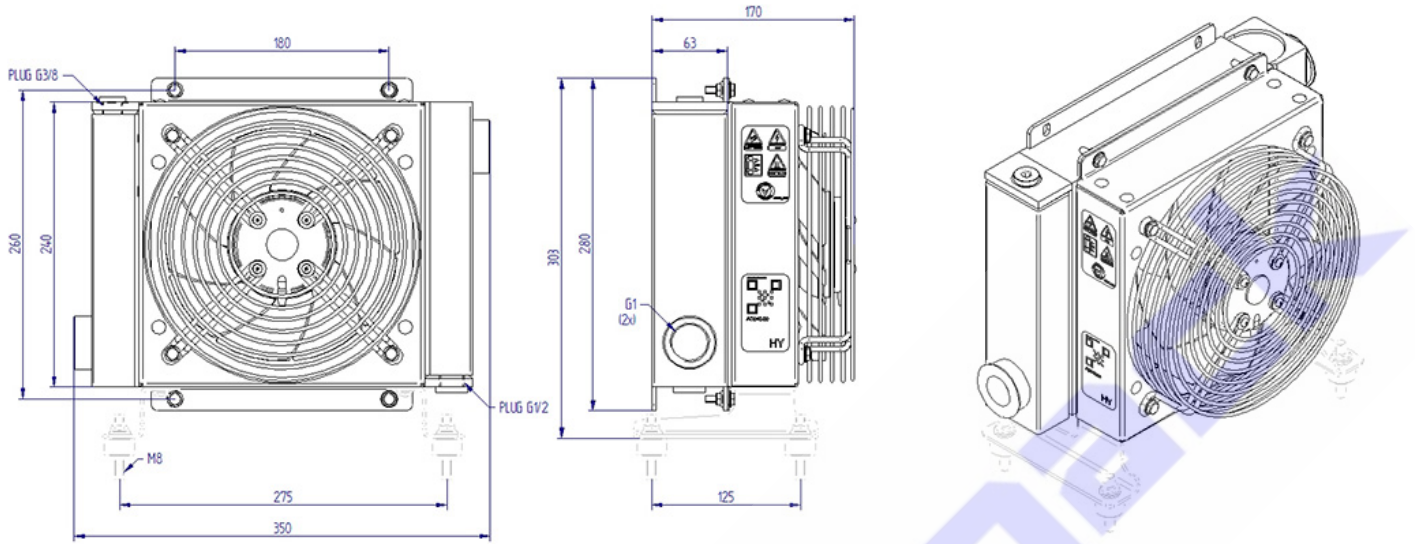
Pressure drop



Oil T 80°C
T Amb. 40°C

Viscosity - ISO VG 32 Oil					
Oil	22	32	46	68	150
Correction factor	0,8	1	1,2	1,6	3

HY series HY01803

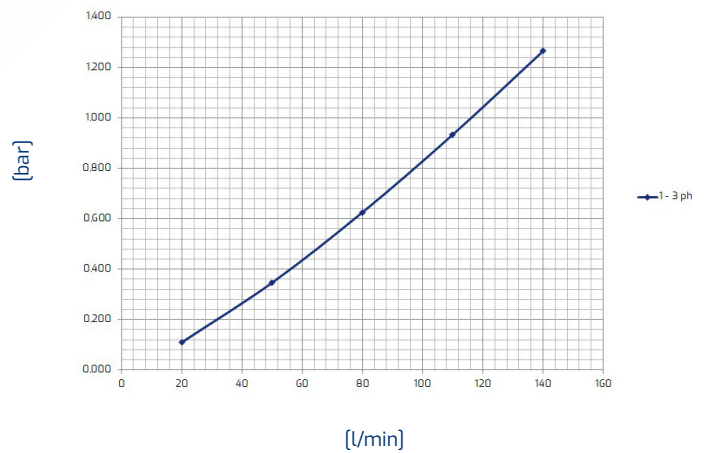
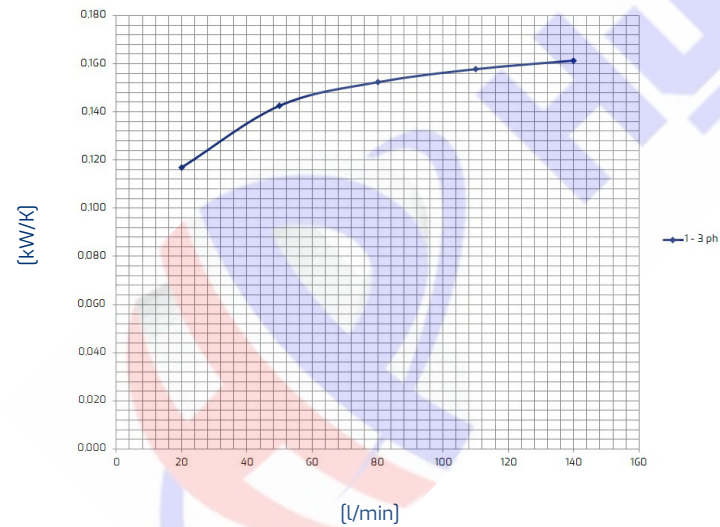


Technical data

Item	Oil flow [l/min]	Capacity [l]	Weight [kg]	Rpm	Voltage [V]	Frequency [Hz]	Current absorption [A]	Power [W]	Ø Fan [mm]	Air flow [m³/h]	Noise level [db(A)]
HY01801	20-140	1,5	8,5		230	50/60	0,30	69	200	680	65
HY01803	20-140	1,5	8,5		230/400	50/60	0,17	68	200	680	65

Performance

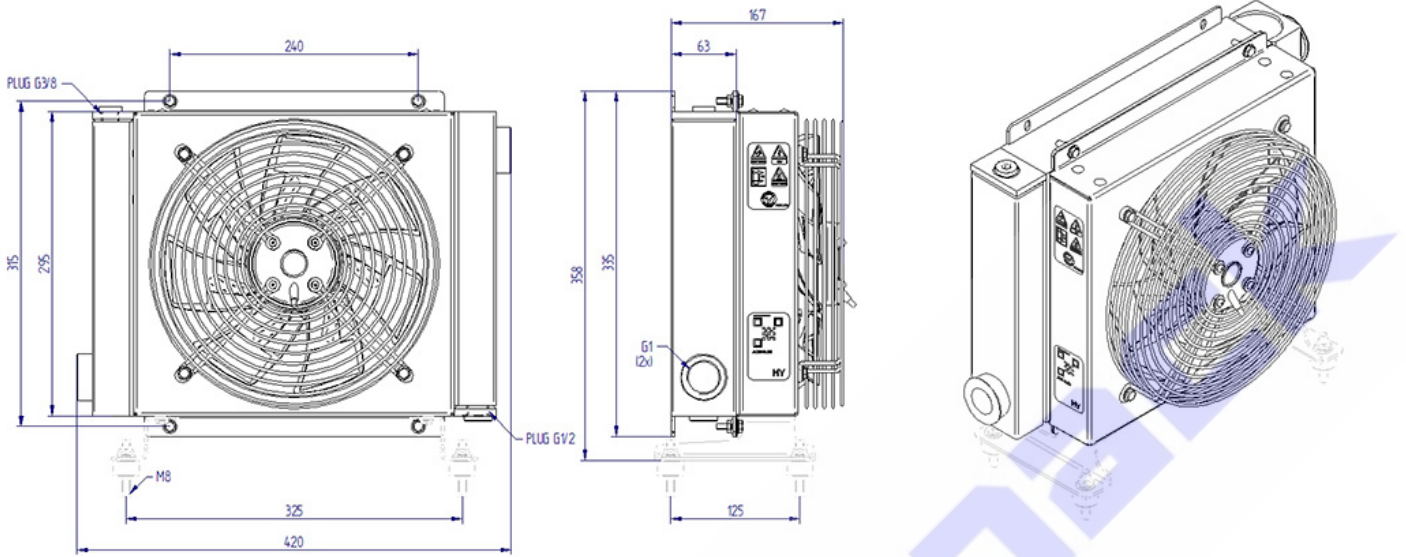
Pressure drop



Oil T 80°C
T Amb. 40°C

Viscosity - ISO VG 32 Oil					
Oil	22	32	46	68	150
Correction factor	0,8	1	1,2	1,6	3

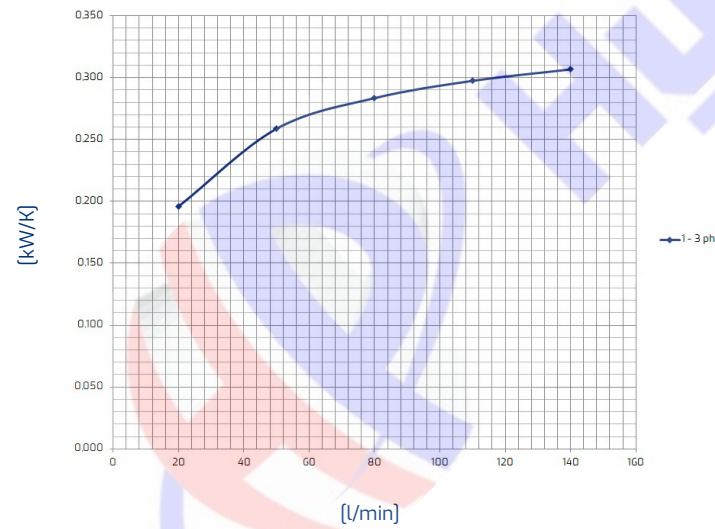
HY series HY02401



Technical data

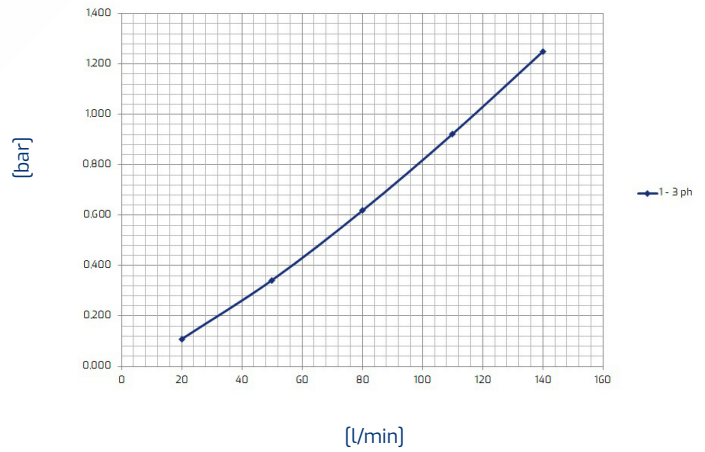
Item	Oil flow [l/min]	Capacity [l]	Weight [kg]	Rpm	Voltage [V]	Frequency [Hz]	Current absorption [A]	Power [W]	Ø Fan [mm]	Air flow [m³/h]	Noise level [db(A)]
HY02401	20-140	2	12		230	50/60	0,57	125	250	1280	68
HY02403	20-140	2	12		230/400	50/60	0,24	154	250	1300	69

Performance



Oil T 80°C
T Amb. 40°C

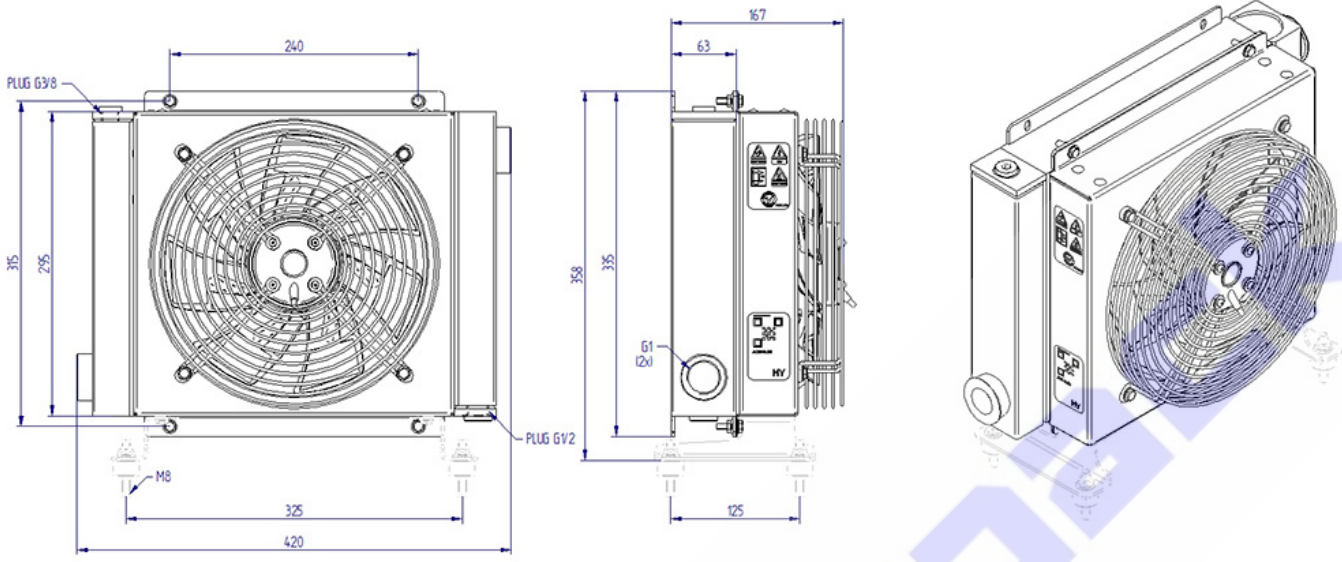
Pressure drop



Viscosity - ISO VG 32 Oil

Oil	22	32	46	68	150
Correction factor	0,8	1	1,2	1,6	3

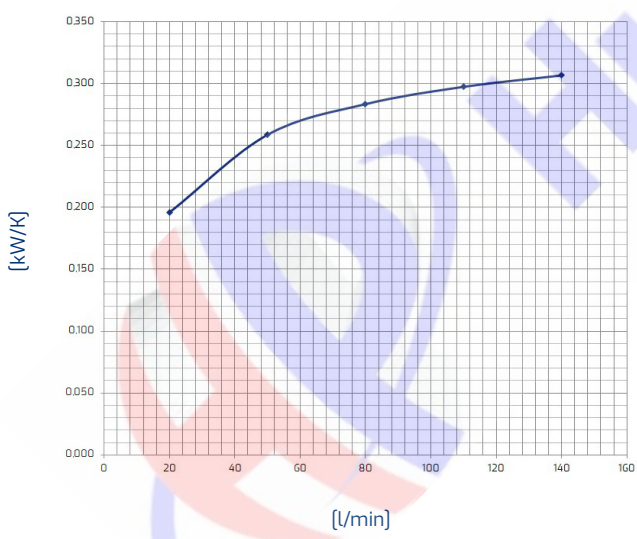
HY series HY02403



Technical data

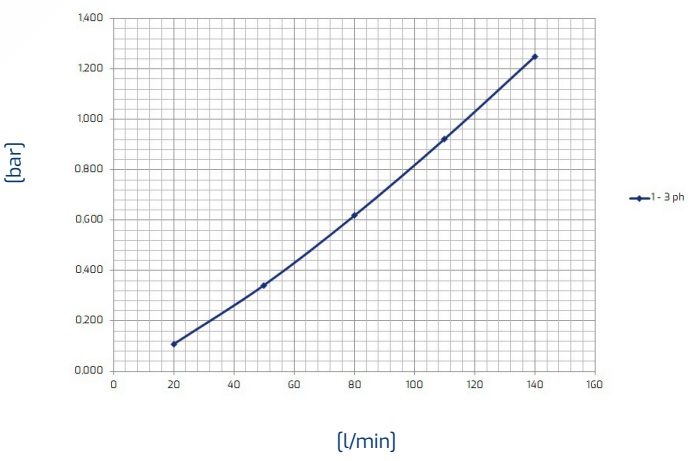
Item	Oil flow [l/min]	Capacity [l]	Weight [kg]	Rpm	Voltage [V]	Frequency [Hz]	Current absorption [A]	Power [W]	Ø Fan [mm]	Air flow [m³/h]	Noise level [db(A)]
HY02401	20-140	2	12		230	50/60	0,57	125	250	1280	68
HY02403	20-140	2	12		230/400	50/60	0,24	154	250	1300	69

Performance



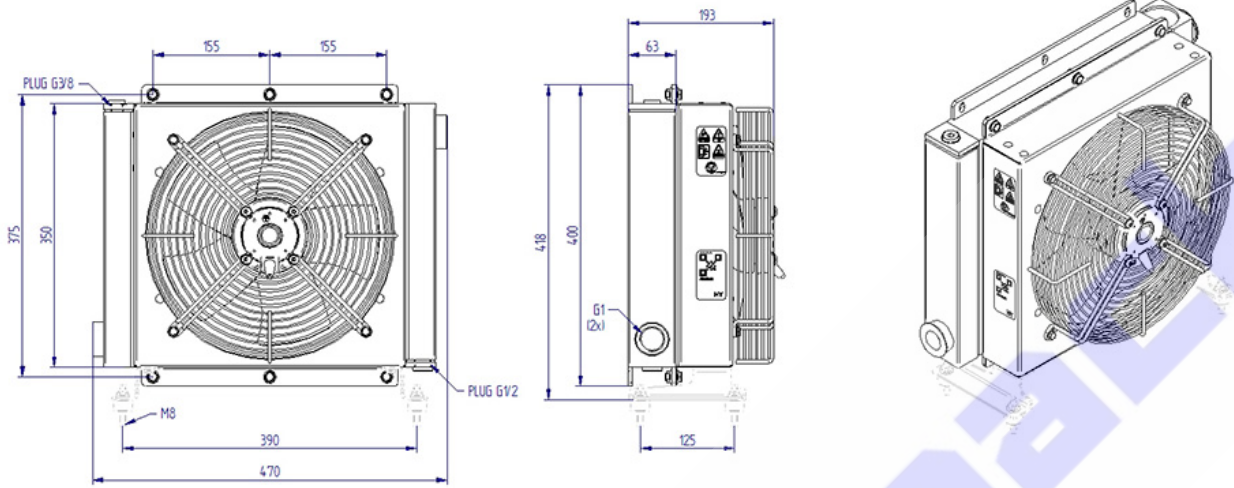
Oil T 80°C
T Amb. 40°C

Pressure drop



Viscosity - ISO VG 32 Oil					
Oil	22	32	46	68	150
Correction factor	0,8	1	1,2	1,6	3

HY series HY03801

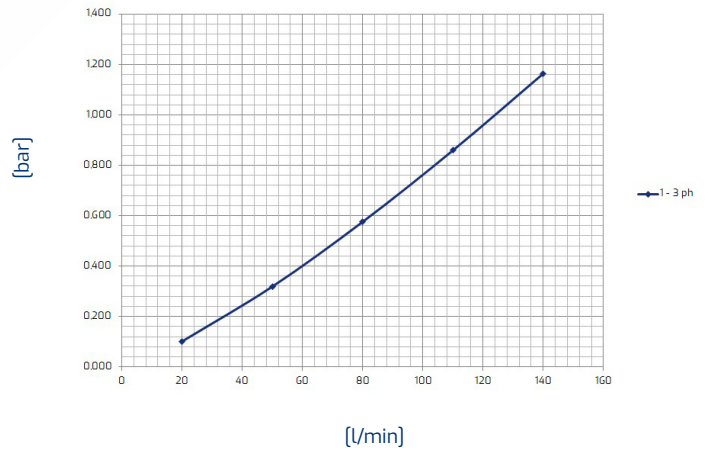
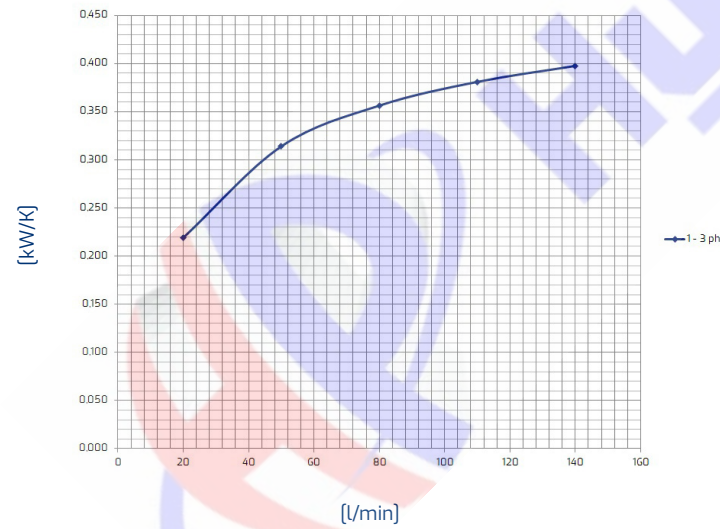


Technical data

Item	Oil flow [l/min]	Capacity [l]	Weight [kg]	Rpm	Voltage [V]	Frequency [Hz]	Current absorption [A]	Power [W]	Ø Fan [mm]	Air flow [m³/h]	Noise level [db(A)]
HY03801	20-140	2,5	14,5		230	50/60	1,20	280	300	2160	73
HY03803	20-140	2,5	14,5		230/400	50/60	0,36	210	300	2150	72

Performance

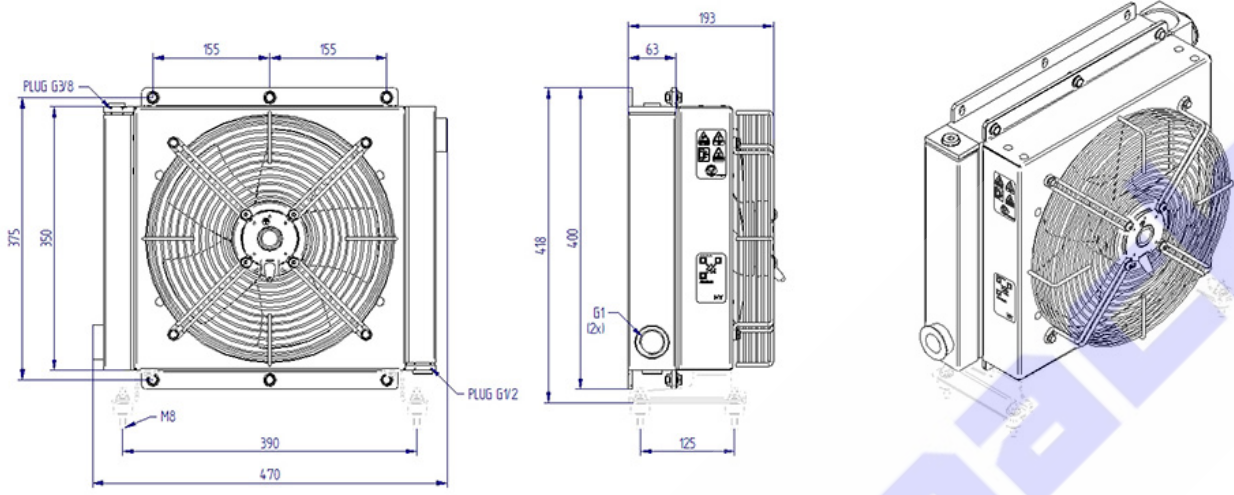
Pressure drop



Oil T 80°C
T Amb. 40°C

Viscosity - ISO VG 32 Oil					
Oil	22	32	46	68	150
Correction factor	0,8	1	1,2	1,6	3

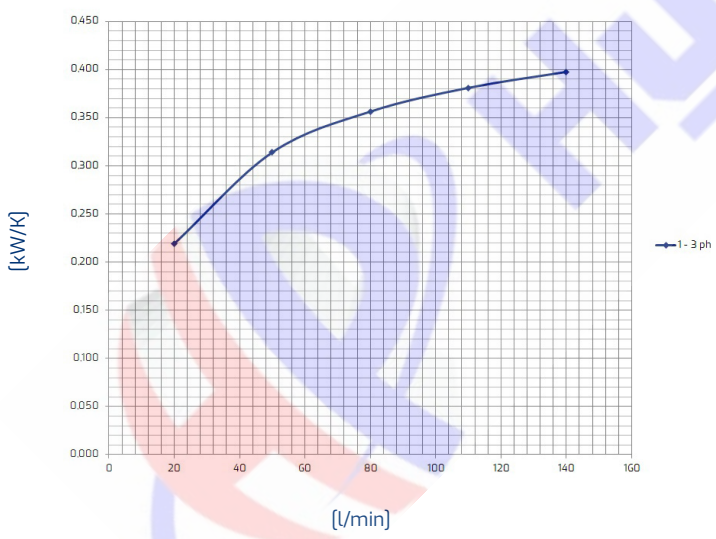
HY series
HY03803



Technical data

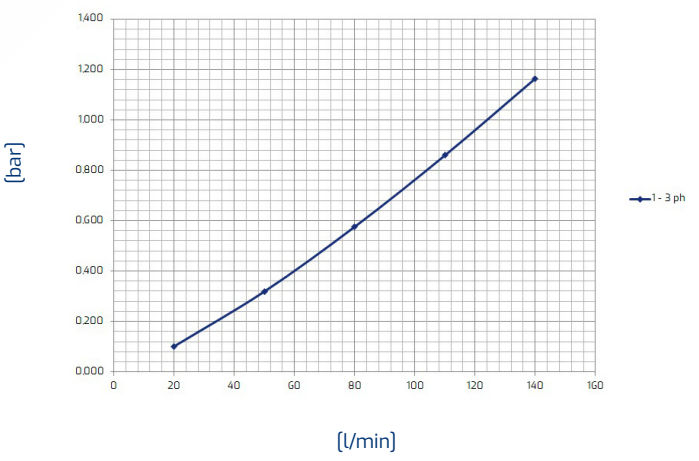
Item	Oil flow [l/min]	Capacity [l]	Weight [kg]	Rpm	Voltage [V]	Frequency [Hz]	Current absorption [A]	Power [W]	Ø Fan [mm]	Air flow [m³/h]	Noise level [db(A)]
HY03801	20-140	2,5	14,5		230	50/60	1,20	280	300	2160	73
HY03803	20-140	2,5	14,5		230/400	50/60	0,36	210	300	2150	72

Performance



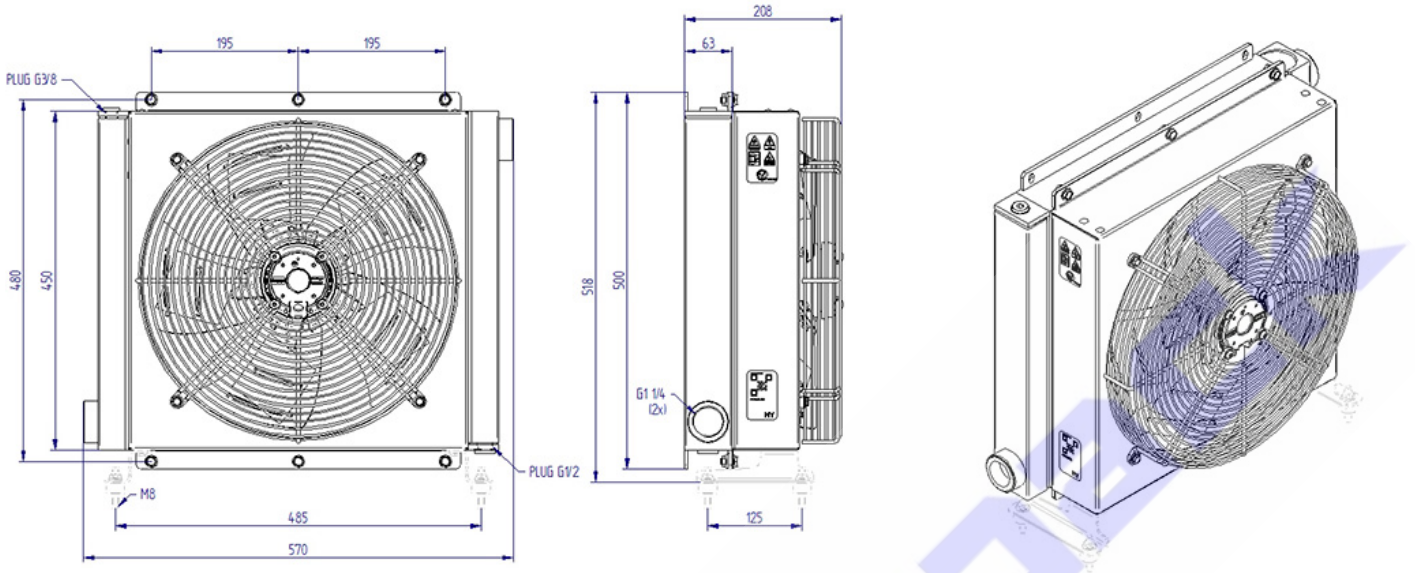
Oil T 80°C
T Amb. 40°C

Pressure drop



Viscosity - ISO VG 32 Oil					
Oil	22	32	46	68	150
Correction factor	0,8	1	1,2	1,6	3

HY series HY05701

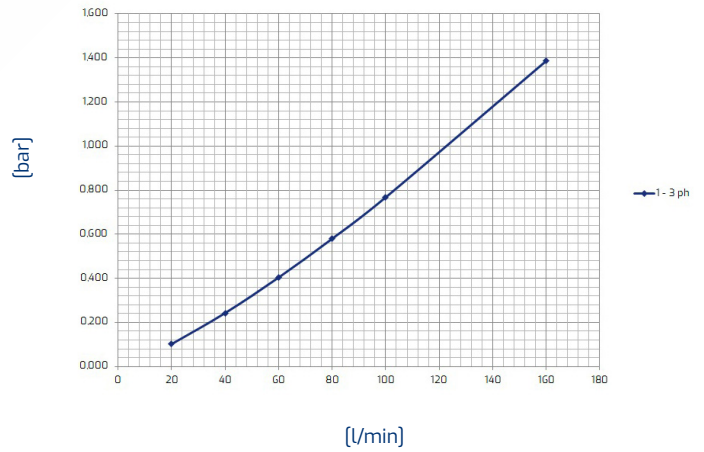
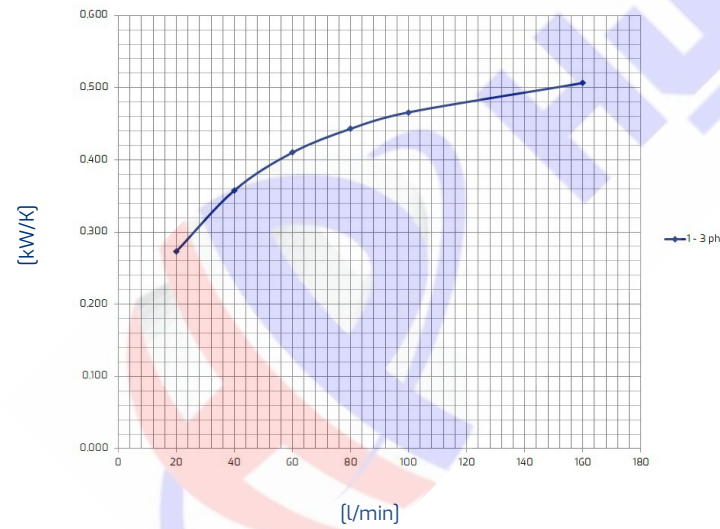


Technical data

Item	Oil flow [l/min]	Capacity [l]	Weight [kg]	Rpm	Voltage [V]	Frequency [Hz]	Current absorption [A]	Power [W]	Ø Fan [mm]	Air flow [m³/h]	Noise level [db(A)]
HY05701	20-160	3,7	19,5		230	50/60	0,30	127	400	1830	69
HY05703	20-160	3,7	19,5		230/400	50/60	0,58	134	400	1820	68

Performance

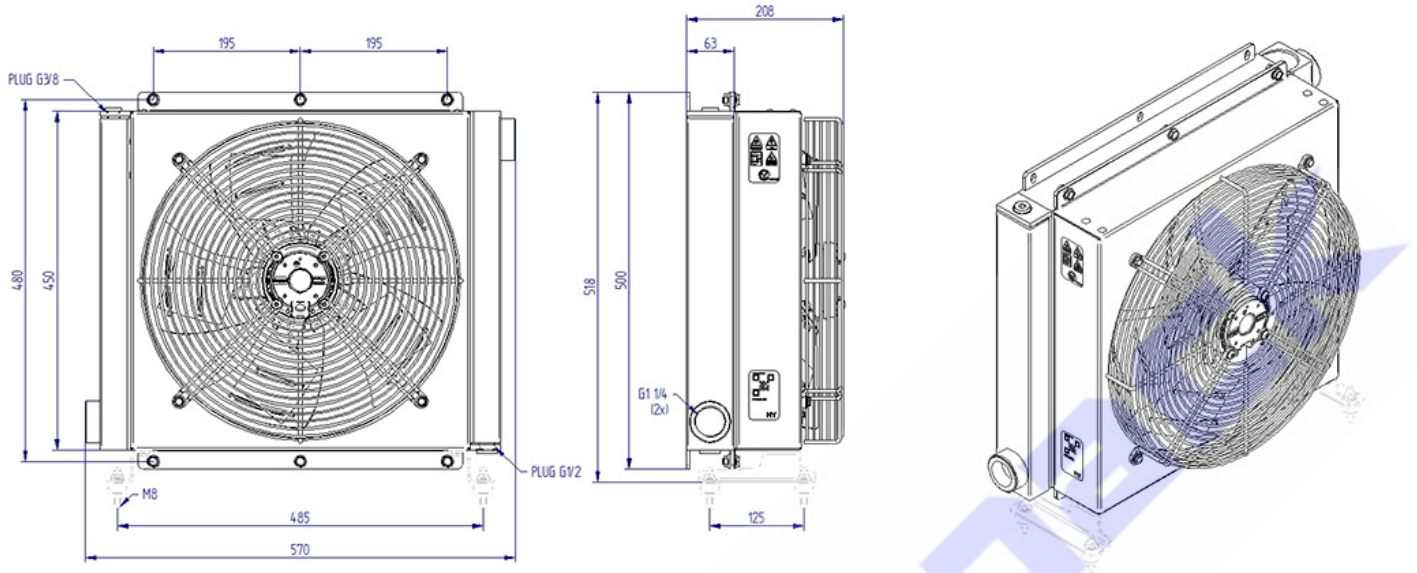
Pressure drop



Oil T 80°C
T Amb. 40°C

Viscosity - ISO VG 32 Oil					
Oil	22	32	46	68	150
Correction factor	0,8	1	1,2	1,6	3

HY series HY05703

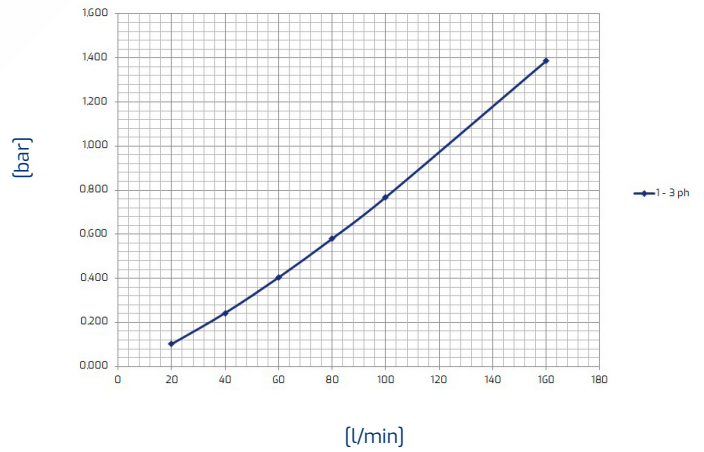
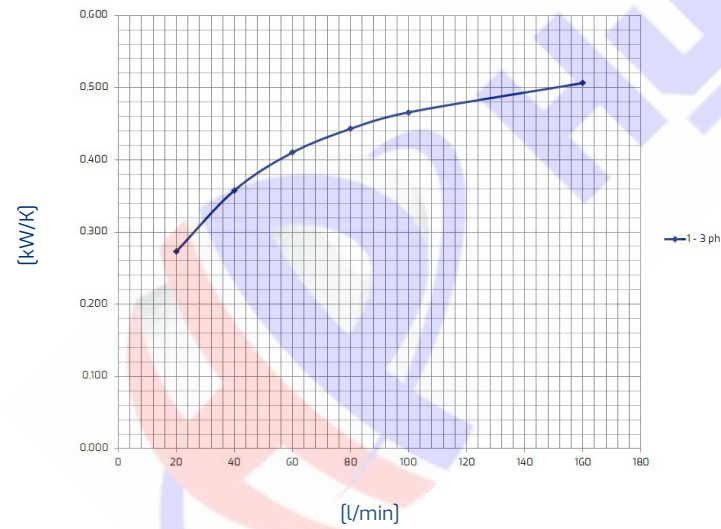


Technical data

Item	Oil flow [l/min]	Capacity [l]	Weight [kg]	Rpm	Voltage [V]	Frequency [Hz]	Current absorption [A]	Power [W]	Ø Fan [mm]	Air flow [m³/h]	Noise level [db(A)]
HY05701	20-160	3,7	19,5		230	50/60	0,30	127	400	1830	69
HY05703	20-160	3,7	19,5		230/400	50/60	0,58	134	400	1820	68

Performance

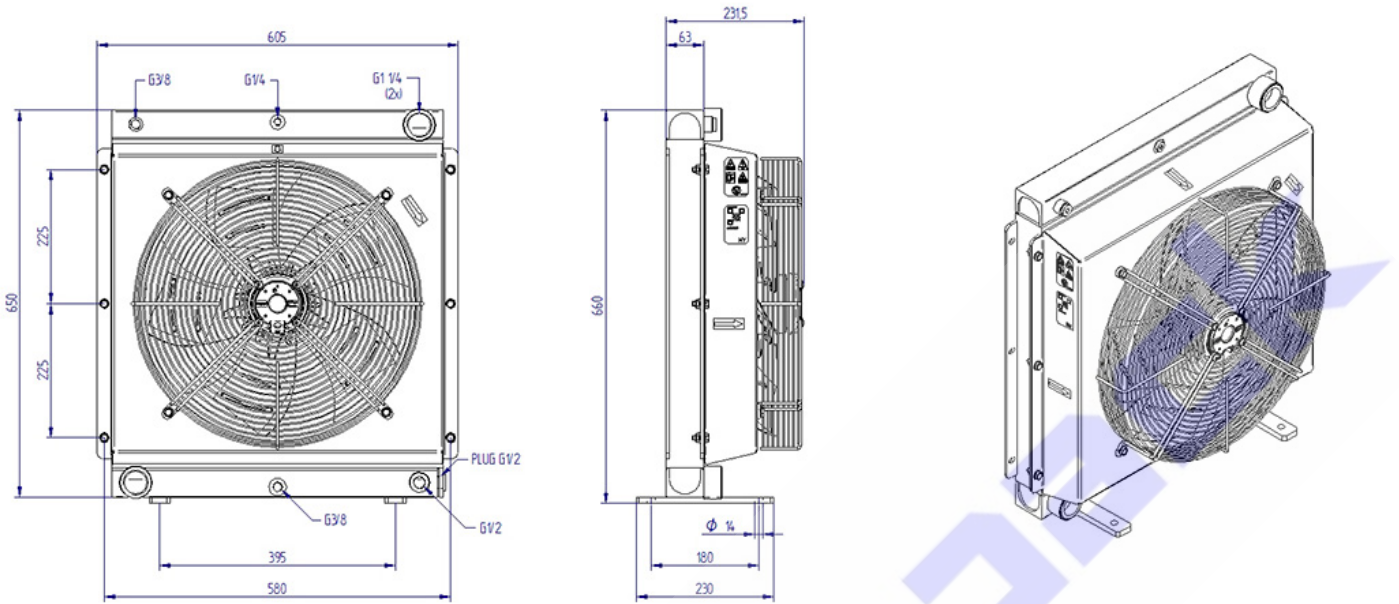
Pressure drop



Oil T 80°C
T Amb. 40°C

Viscosity - ISO VG 32 Oil					
Oil	22	32	46	68	150
Correction factor	0,8	1	1,2	1,6	3

HY series HY09001

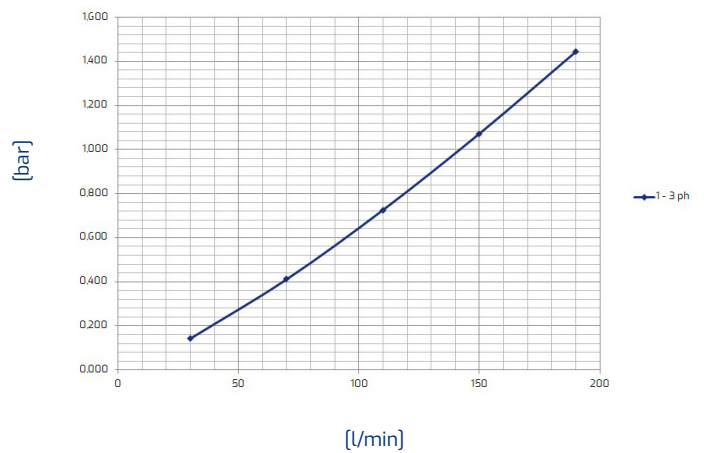
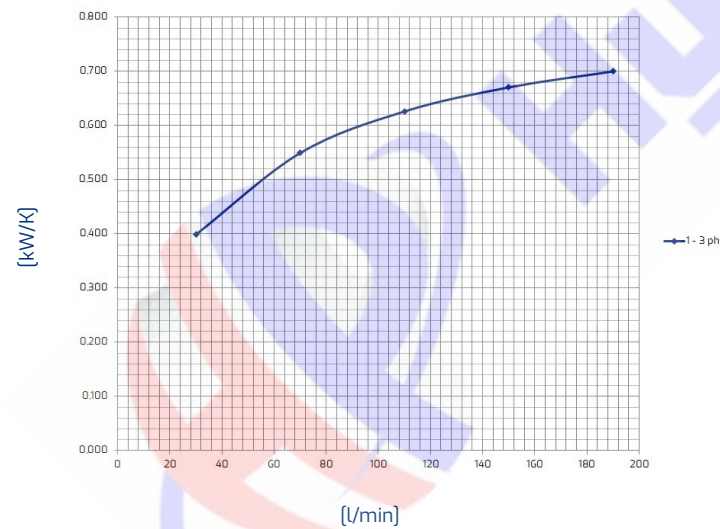


Technical data

Item	Oil flow [l/min]	Capacity [l]	Weight [kg]	Rpm	Voltage [V]	Frequency [Hz]	Current absorption [A]	Power [W]	Ø Fan [mm]	Air flow [m³/h]	Noise level [db(A)]
HY09001	30-190	5.3	31		230	50/60	1,55	245	450	1830	73
HY09003	30-190	5.3	31		230/400	50/60	0,53	200	450	1820	72

Performance

Pressure drop

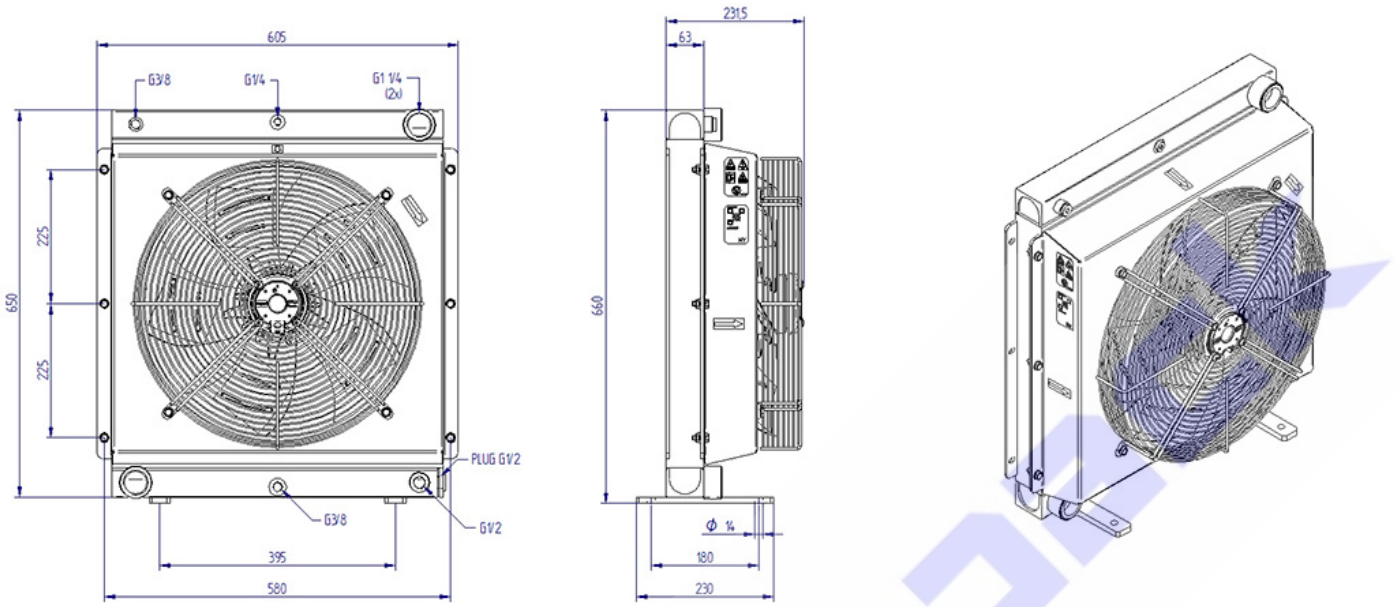


Oil T 80°C
T Amb. 40°C

Viscosity - ISO VG 32 Oil					
Oil	22	32	46	68	150
Correction factor	0,8	1	1,2	1,6	3

HY series

HY09003

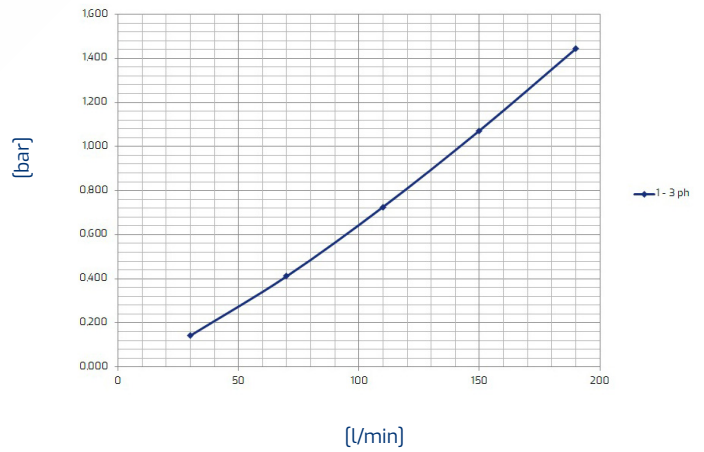
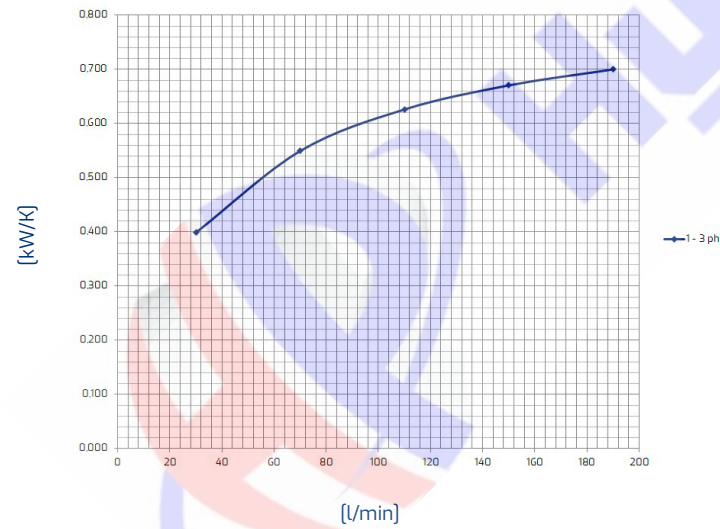


Technical data

Item	Oil flow [l/min]	Capacity [l]	Weight [kg]	Rpm	Voltage [V]	Frequency [Hz]	Current absorption [A]	Power [W]	Ø Fan [mm]	Air flow [m ³ /h]	Noise level [db(A)]
HY09001	30-190	5.3	31		230	50/60	1,55	245	450	1830	73
HY09003	30-190	5.3	31		230/400	50/60	0,53	200	450	1820	72

Performance

Pressure drop



Oil T 80°C
T Amb. 40°C

Viscosity - ISO VG 32 Oil					
Oil	22	32	46	68	150
Correction factor	0,8	1	1,2	1,6	3