

HYVA GEAR PUMPS



EXTERNAL GEAR TYPE - BRITE SERIES

Hyva

gear pump type :

gear pump 073L - BI - 4H - BRITE

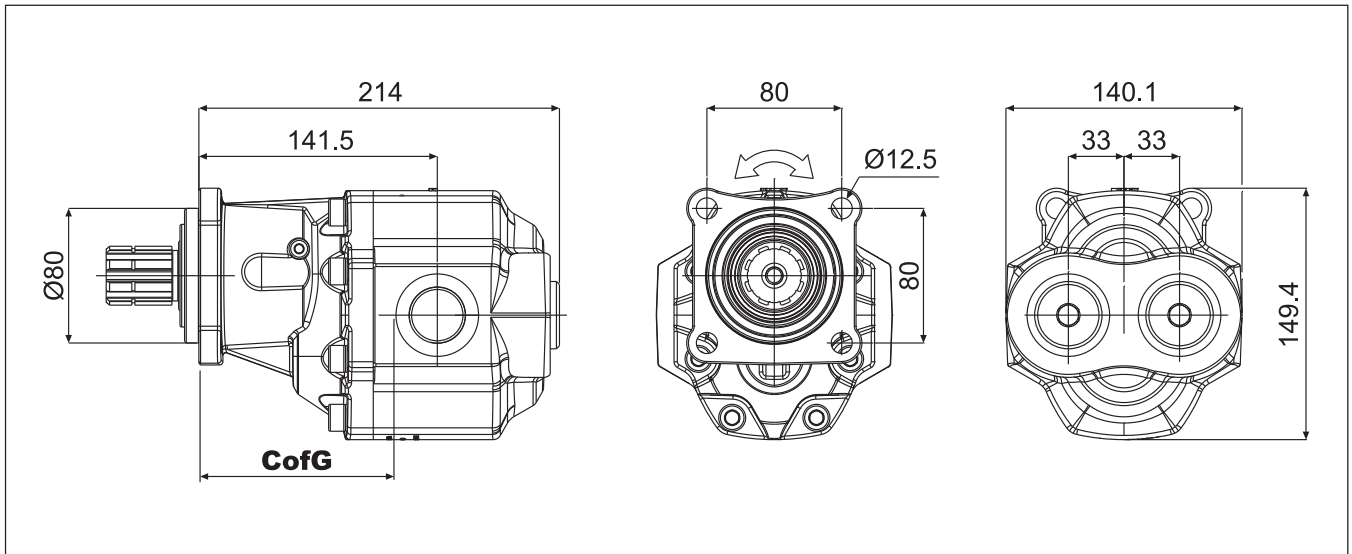
part number :

145 62 020

page # 1 / 2

rotation :

bi-rotational

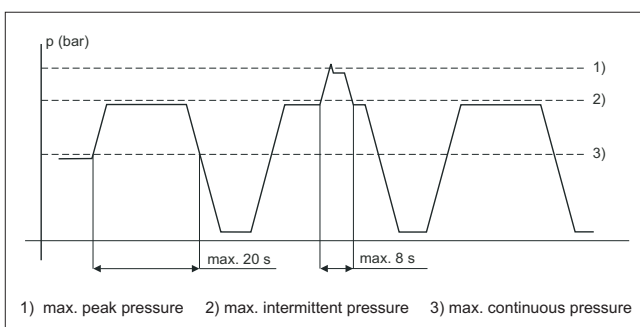


specifications

displacement per revolution	:	73,82	cm ³
maximum peak pressure	:	230	bar
maximum intermittent pressure	:	225	bar
maximum continuous pressure	:	205	bar
maximum speed without load	:		min ⁻¹
max. speed at intermittent press.	:	2500	min ⁻¹
min. speed at intermittent press.	:	300	min ⁻¹
oil temperature range	:	-40 ⇄ 80	°C
inlet pressure range (suction side)	:	0.7 ⇄ 3	bar (abs)
recommended oil viscosity range	:	12 ⇄ 100	mm ² /s (cSt)
maximum starting viscosity	:	750	mm ² /s (cSt)
filtration :			
- working pressure < 200 bar	:	25	µm
- working pressure > 200 bar	:	10	µm
connection :			
- inlet - straight internal thread	:	1	" B.S.P.
- outlet - straight internal thread	:	1	" B.S.P.
minimum suction hose bore diameter	:	1,75	inch
shaft DIN 5462	:	8*32*36	mm
mass	:	15,5 +/- 0,5	kg
centre of gravity distance (CofG)	:	115,4	mm
noise level at 900 min ⁻¹ and 100 bar	:	66,0	dB(A)
noise level at 1500 min ⁻¹ and 100 bar	:	69,9	dB(A)

efficiency diagram on request

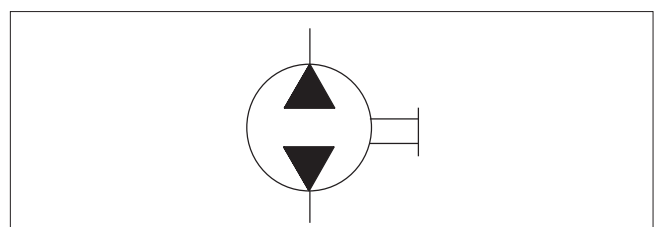
pressure definition



power and torque

Pressure (bar)	50	100	150	200	225
Torque (Nm)	68	128	185	240	266
Power (kW)					
500	4	7	10	13	14
1000	7	13	19	25	28
1500	11	20	29	38	42
2000	14	27	39	50	56
2500	18	34	49	63	70
Flow (L/min.)					
500	35	34	34	34	34
1000	71	70	69	68	68
1500	106	105	103	102	102
2000	142	139	138	136	136
2500	177	174	172	171	170

hydraulic pump symbol



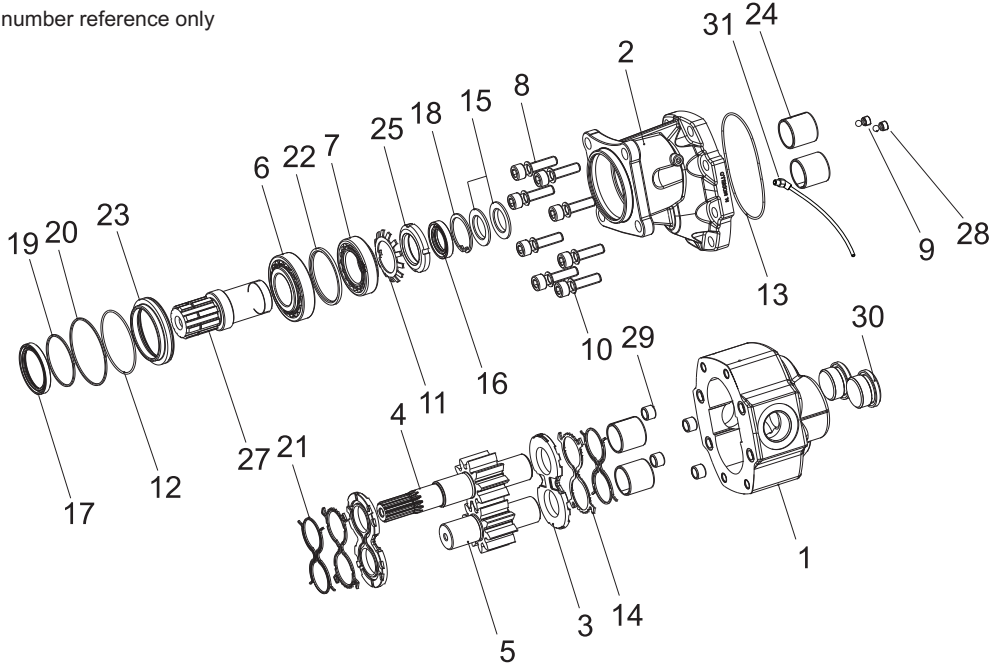
HYVA GEAR PUMPS



EXTERNAL GEAR TYPE - BRITE SERIES

Hyva	gear pump type :	gear pump 073L - BI - 4H - BRITE
page # 2 / 2	part number :	145 62 020
	rotation :	bi-rotational

drawing for part number reference only



spare part list gear pump

145 62 020

pos.	code no.	description	qty.
1		body	1
2	020 59 415	front cover	1
3	022 59 400	thrust plate Brite	2
4		drive shaft	1
5	023 27 470	driven gear	1
6	024 70 520	roller bearing	1
7	024 70 521	roller bearing	1
8	023 51 850	screw	8
9	023 17 852	dowel 1/8"	2
10		washer	8
11		lock washer	1
12	023 91 720	OR-seal	1
13	023 95 800	O-ring	1
14	023 96 570	seal	2
15	024 04 819	shaft seal*	2
16	024 04 825	shaft seal	1
17	023 91 675	shaft seal	1
18	024 08 100	circlip	1
19	023 91 710	locking ring	1
20	023 74 535	locking ring	1
21	023 96 527	back-up ring	2
22	024 92 156	spacer	1
23	023 93 690	shaft seal mounting ring	1
24	024 24 260	sleeve bearing	4
25	024 92 158	threaded locking ring	1
27	024 92 160	support shaft	1
28	023 85 700	ball	2
29	024 92 150	steel bushes	4
30		steel plug	2
31	024 70 180	leak indicator kit pump	1

seal kit

code no.	description	qty.
024 60 001	seal kit complete with grease	1
	(comprises 12, 13, 14, 15, 16, 17 & 21)	

general information and mounting possibilities.

The mentioned data on page 1 is for mineral based oil.
For other fluids, please contact our engineering dept.

The filtration as mentioned is for tippers only. For different applications we advise filtration according ISO 4406 class 17/14.

To avoid cavitation, the suction hose must be kept as short and straight as possible, and the minimum oil level in the oil tank must be above the inlet of the pump.

Side and/or rear ports can be used as desired.

Torque plugs:

3/4"	60 Nm
1"	75 Nm
1 1/4"	115 Nm

*NOTE:

Shaft seal 15 has been replaced by 2 shaft seals with part number: 02404819