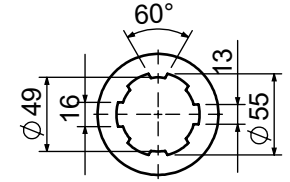
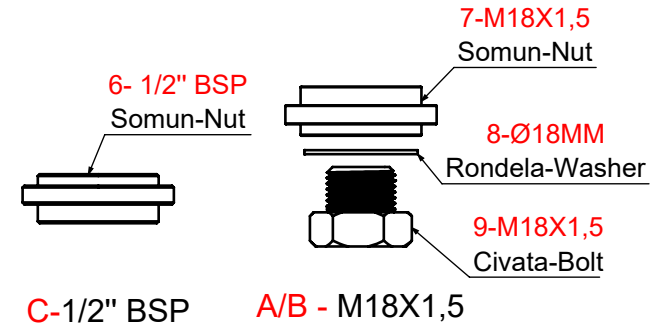
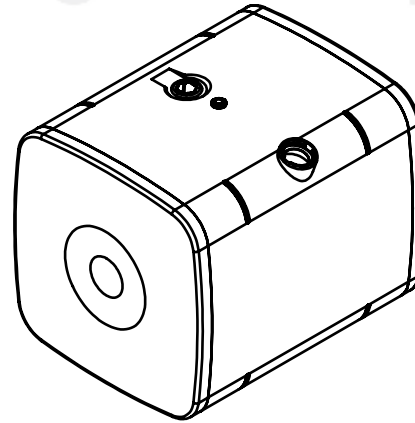
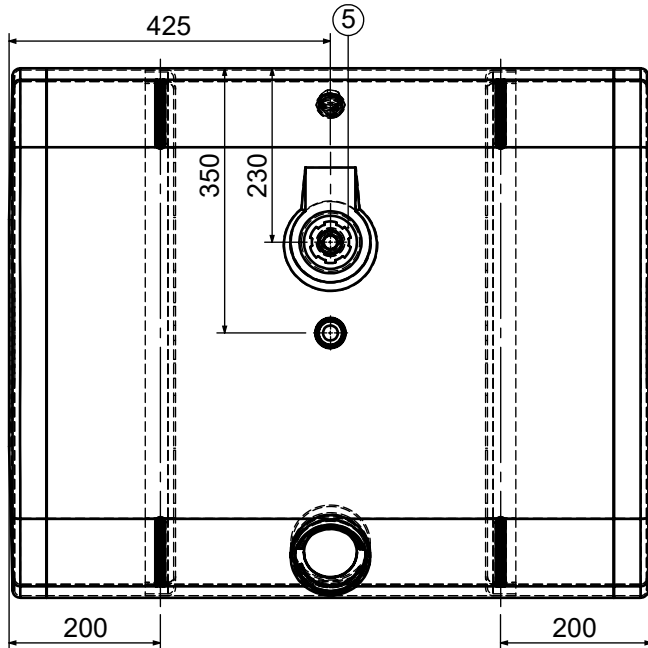


4-Dolum Boğazı
(Filling Neck-Ø80mm)



5-Şamandra
(Level sensor)



| No / Item | Adet / Qty | Parça Adı / Part Name | Malzeme / Material |
|-----------|------------|--|----------------------------|
| 1 | 1 | Gövde / Body | Aluminum 5754 H22 - 2,5mm |
| 2 | 2 | Yan Kapak / Side Plate | Aluminum 5754 H111 - 2,5mm |
| 3 | 2 | Dağakıran / Baffle Plate | Aluminum 5754 H111 - 2,5mm |
| 4 | 1 | Dolum Boğazı / Filling Neck | Aluminum 5754 H111 - 2,5mm |
| 5 | 1 | Şamandra / Level Sensor | |
| 6 | 1 | Havalandırma / Vent Valve Bolt 1/2" BSP | |
| 7 | 1 | Emiş,Tahliye / Suction Adater /Nut M18X1,5 | Aluminum 6082 |
| 8 | 2 | Rondela / Washer Ø18mm | Aluminum 6082 |
| 9 | 2 | Emiş,Tahliye / Suction Adater / Bolt M18X1,5 | Aluminum 6082 |

| Çizim / Drawing | İsim/Name | İmza/Signature | Boyut / Dimensions-A4 | Belge/Document:ECE R34 | Ağırlık/Weight | |
|-----------------|-------------|----------------|-----------------------|------------------------|--------------------|------------|
| Çizen / Drafter | Murat Oktay | | Malzeme/Material | 5754 Almuninum | Tarih/Date | 19.12.2022 |
| Onay /Approval | Murat Oktay | | Parça Adı/Part Name | MAN FUEL TANK | Tolerance/Tolerans | |
| Ölçek / Scale | | | Açıklama/Explanation | 700X700X850MM - 380LT | Sayfa/Page | 1 |