

PTO

Murat Makina
Sanayi ve Ticaret
Limited Sirketi

www.pto.com.tr
info@pto.com.tr



30 SERİSİ ISO TANDEM DİŞLİ POMPA

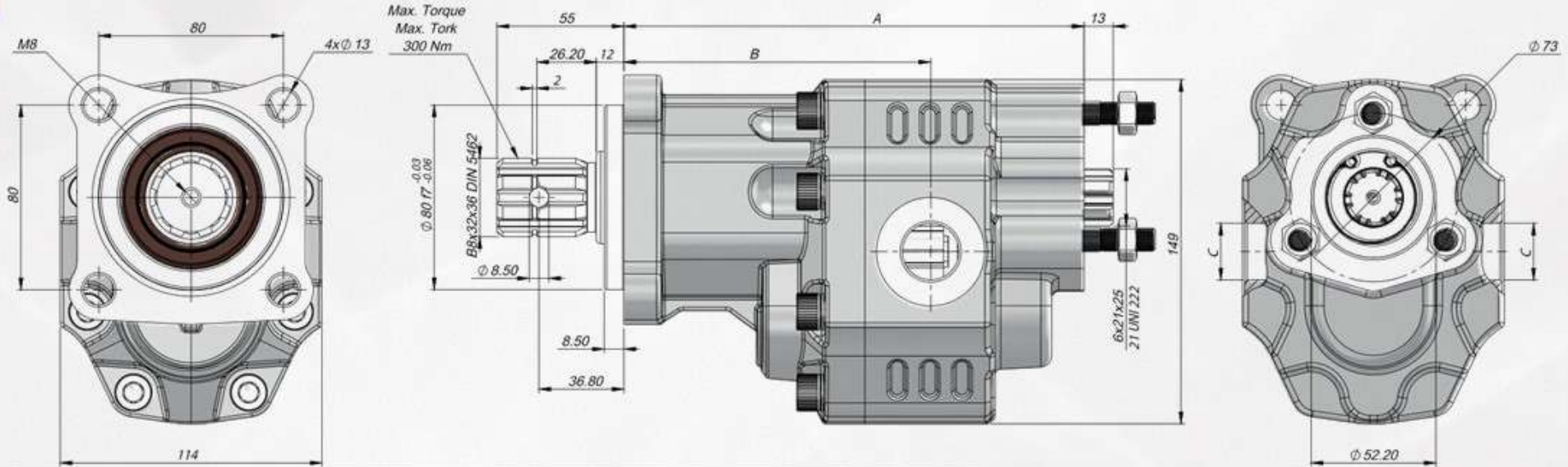
ÖN BAĞLANTI DÖRT DELİKLİ, ISO 14 / DIN 5462 / B8x32x36

ARKA BAĞLANTI ÜÇ DELİKLİ, UNI 8953 / 21 UNI 222 / 6x21x25

30 SERIES ISO GEAR TANDEM PUMP

FRONT CONNECTION FOUR HOLES, ISO 14 / DIN 5462 / B8x32x36

REAR CONNECTION THREE HOLES, UNI 8953 / 21 UNI 222 / 6x21x25



Kod			İletim Hacmi	Maks.Sürekli Basınç	Min.Hız	Maks.Sürekli Hız	Giriş		Çıkış	
Code			Displacement	Max.Continuous Pressure	Min.Speed	Max.Continuous Speed	A	B	Inlet	Outlet
Sol / Left	Sağ / Right	BD	(cm ³ /rev)	(100%)(BAR)	(RPM)	(RPM)	(mm)	(mm)	C	D
998 30017SF111	998 30017SF121	998 30017SF131	17	300	300	2600	182,5	123,5	G1/2"	G1/2"
998 30027SF111	998 30027SF121	998 30027SF131	27	290		2300	188,5	126,5		
998 30034SF111	998 30034SF121	998 30034SF131	34	285		2100	193,5	128,5		
998 30036SF111	998 30036SF121	998 30036SF131	36			195	128,5			
998 30038SF111	998 30038SF121	998 30038SF131	38	280	2100	193,5	128,5	G3/4"	G3/4"	
998 30043SF111	998 30043SF121	998 30043SF131	43			199,5	133			
998 30051SF111	998 30051SF121	998 30051SF131	51	230	2000	1800	204,5	134,5	G1"	G1"
998 30061SF111	998 30061SF121	998 30061SF131	61	225			212,5	138,5		
998 30073SF111	998 30073SF121	998 30073SF131	73	215	1700	1600	217,5	146,5	G1 1/4"	G1 1/4"
998 30082SF111	998 30082SF121	998 30082SF131	82	200			223,5	146		
998 30100SF111	998 30100SF121	998 30100SF131	100	190	1600	1600	236,5	160	G1 1/4"	G1 1/4"
998 30125SF111	998 30125SF121	998 30125SF131	125	170			252,5	164		

*The values in the table refer to unidirectional pumps. Reversible pump max pressures are 10% lower than those shown in table.

Giriş Basıncı Inlet Pressure	0.3÷ 2 bar		
Çalışma Viskozite Seviyesi Operating Viscosity Range	-12:100 cSt		
Sıvı Sıcaklığı Fluid Temperature	-40 °C+145 °C		
Çalışma Basıncı Working Pressure	Kirlilik Contamination	ISO 4406	Filtre Filter
≥200 bar	NAS 1638	20/17	βx=75
≤200 bar	12	21/18	40 μm

