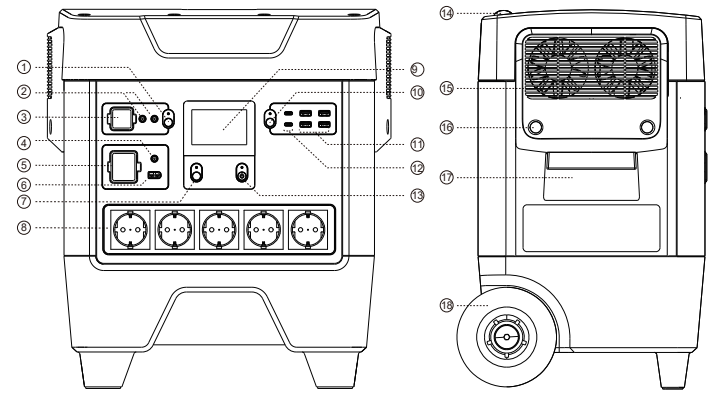
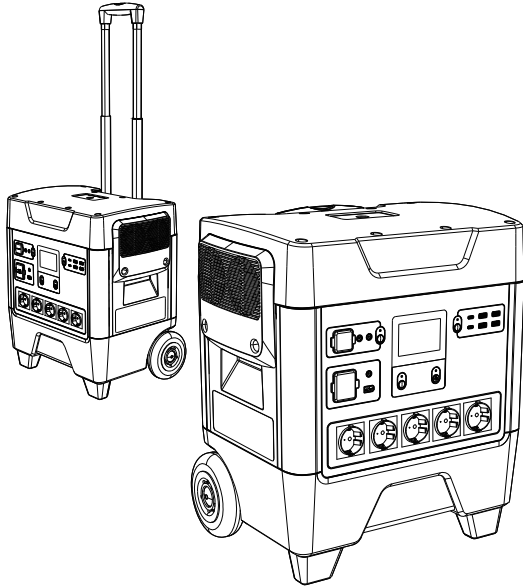


Portable Power Station HS3600



- ① DC ON/OFF Switch
- ② DC Output port
- ③ Car Cigarette Lighter Socket
- ④ DC Input port
- ⑤ AC Input port
- ⑥ Solar Panel Input Port
- ⑦ AC ON/OFF Switch
- ⑧ AC Output Socket
- ⑨ LCD Display
- ⑩ USB ON/OFF Switch
- ⑪ QC3.0 USB-A Output Port x4
- ⑫ PD100W USB-C Output Port x2
- ⑬ Main Power Button
- ⑭ Puller
- ⑮ Cooling Hole
- ⑯ Expansion Component Mounting Hole x4
- ⑰ Handle
- ⑱ Wheels

User's Manual

Thank you for purchasing our energy storage series products. We are striving to create innovative products with extreme safety and excellent performance for you, and we are Please read the user's manual carefully before using the product to ensure a safe and satisfactory operation.

Specification

Capacity:	3072Wh (51.2V/ 60Ah)	3248Wh (44.8V/72.5Ah)	Option
Battery Type:	LiFePO4		
Input:	AC	1000W	220V-240V~,50Hz/60Hz
	XT60	12V-60V/Max 10A (Max 600W)	
	DC 5521	12V-60V/Max 7A (Max 420W)	
Inverter Waveform:	Pure Sine Wave		
AC Output:	Rated Power: 3600W	220V-240V~,50Hz/60Hz	
	Peak Power: 5400W		
DC Output:	2x USB-C	PD 100W Max (5V/9V/12V/15V/3A, 20V/5A)	
	4x USB-A	QC3.0 (5V/3A, 9V/2A,12V/1.5A) per port Max.18W	
	1x Car Socket	13.6V/8A, Max 108.8W	
	2x DC5521	13.6V/8A, Max 108.8W	
			Total share 8A Max

CAUTION

1. Please keep dry and stay away from fire.
2. Do not disassemble, puncture or squeeze the portable power station.
3. Please recycle and dispose of the product in accordance with local laws and regulations.
4. Use the unrecommended accessories may cause fire, electric shock or personal injury.
5. Children and the disabled please use this product with guardian.

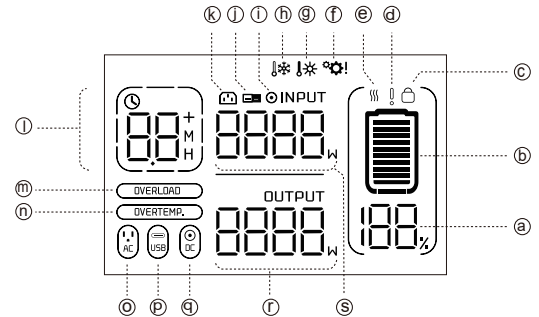
Safety Instructions and Maintenance

1. Please read the manual carefully before using the product.
2. To reduce the risk of injury, please pay more attention when using this product near children.
3. Do not put fingers, palms or any part of your body into the product.
4. Use the unrecommended accessories may cause fire, electric shock or personal injury.
5. Do not use damaged or modified battery packs or devices.
6. Do not operate the portable power station with a damaged cord, plug or output cable. Otherwise it may cause a short circuit and risk of fire.
7. Please hand the power station to a qualified service provider for repair or maintenance. Do not disassemble the portable power station by yourself, as wrong disassembly method may cause the risk of fire or electric shock.
8. In order to reduce the risk of electric shock when the product fails, disconnects the portable power station from the power supply before performing any instructive maintenance operations.
9. Please charge the product in a well-ventilated place, do not obstruct the air circulation.
10. Under some extremely harsh conditions, liquid may be ejected from the battery. Avoid contact with batteries and liquids. If contacted please rinse with plenty of water. If the liquid comes into contact with the eyes, please seek other medical help.
11. Please do not expose the product to fire or excessive heat.
12. Only repairs by qualified service personnel.
13. Please do not exceed the specified input AC voltage. Otherwise it may cause product failure, we will not be responsible for providing free maintenance services. Please keep the safety instructions properly.

Introduction

1. **Faster Charging from the Wall**
This product offers multiple recharging options. Industry-leading 1000W High Power AC input lets you recharge in as little as 4 hours, or to recharge by car or solar panel up to 600W. Charge the product from the sun with our portable solar panels while away from the grid, and keep it topped off from a wall outlet when you're home. Integrated MPPT charge controller ensures you're getting the most efficient solar charge possible.
2. This product is a gas-free solar powered generator with versatile port options, and it supports to power a wide range of devices with different port options including fast-charging 100W USB-C Power Delivery, multiple fast quick charging USB-A ports, regulated 12V, and AC socket.

LCD Display



Battery Information indication	(a)	100%	Battery Power Level %	(d)	!	Battery failure/Low voltage indicate
	(b)	🔋	Battery Power Level	(e)	🌡️	Battery high/low temperature indication
	(c)	🔒	Battery lock protection			
Input indication	(f)	🏠	AC Input	(h)	🔌	DC Input
	(j)	☀️	Solar Input	(i)	🔌	Input power
Output indication	(k)	🚗	AC Output Icon	(l)	🔌	DC/Car Output
	(m)	🔌	USB Output Icon	(n)	🔌	Output power
Remaining time indication	(o)	🕒	Remaining time	(p)	M	Minutes
				(q)	H	Hours
Protection indication	(r)	⚠️	System failure indication	(s)	OVERLOAD	Overload protection
	(t)	🔥	Over temperature indication		OVERTEMP.	Over temperature protection
	(u)	❄️	Low temperature indication			

AC Socket

For the product, the type of AC power socket is subject to relevant regulations of the country and region, the number of socket is also different. There is only one socket with a larger area and two socket with a smaller area. For details, please see the description and picture in the user manual.

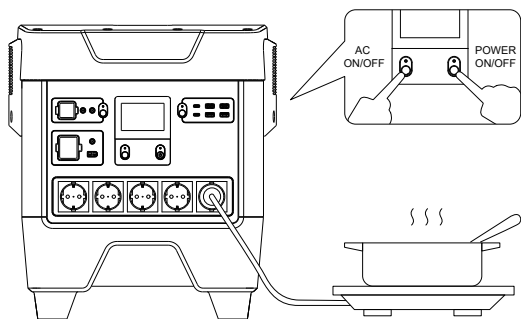
Although the number and size of socket is different, their operation is the same.

	Country	Amount of ACsn	plan
	U.K. socket	5	
	Universal socket	6	
	Chinese socket	6	
	Europe socket	5	
	South Africa socket	5	
	U.S./Japan socket	8	

How to use the AC output function

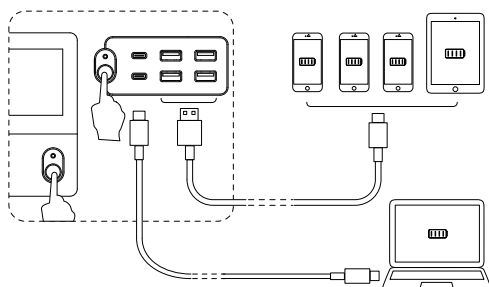
Under the condition that the total power does not exceed 3600W, all ac outlets can work together at the same time.

1. Long press the main power button 3S to turn on. The main power indicator and the screen lights up, enters the standby state.
2. Plug in AC appliances.
3. Tap the AC on/off switch to turn on the AC output function. The product starts to supply power to external AC appliances.
4. Long press the AC power on/off switch to turn off the AC output.
5. When not using the product for a long time, please long press the main power switch for 3S to turn off to save power.



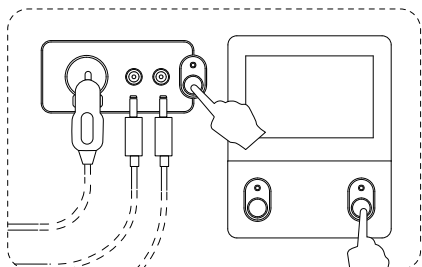
How to use USB output

1. Long press the main power button to turn on. The main power indicator and the screen lights up, enters the standby status.
2. Click the USB on/off switch to turn on the USB function.
3. Plug in the USB devices and start to use.



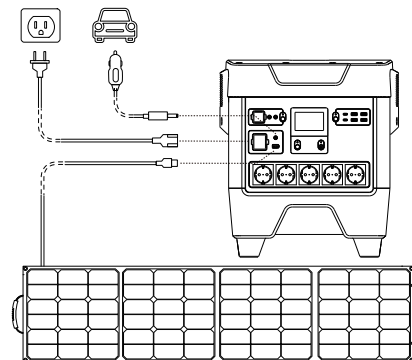
How to use DC output

1. Long press the main power button to turn on. The main power indicator and the screen lights up, enters the standby state.
2. Plug in the DC device.
3. Click the DC on/off switch to turn on the DC function.
4. After use, click the DC on/off switch to turn off the DC output.
5. When not using the product for a long time, please long press the main power switch for 3S to turn off to save power.



How to charge

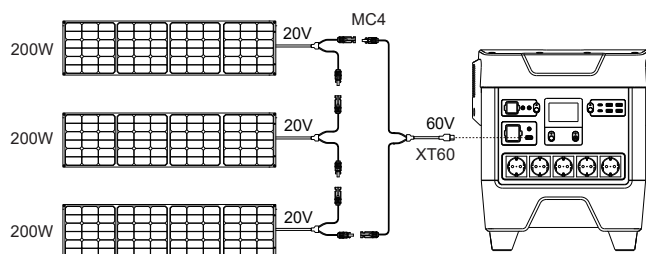
- Please charge the product before using.
 - Please fully charge the battery before long storage. Please check the product remaining power level every 3 months and full recharge it again.
 - There have 3 input ports on the Portable Power Station: 1* AC Input Port, 1* solar panel input port and 1* DC5521 port.
1. Super Quick charging: AC Input (AC power supply can be used to charge Portable Power Station with a maximum power of 1000W through the AC charging port.).
 2. Solar charging.
 3. Car charging.



Solar Panel series/parallel charging

Portable Power Station support Solar Panel charging Max 600W.

You can purchase solar panels and dedicated cable accessories that match the Portable Power Station to achieve a high-power solar fast charging experience.



CAUTION:

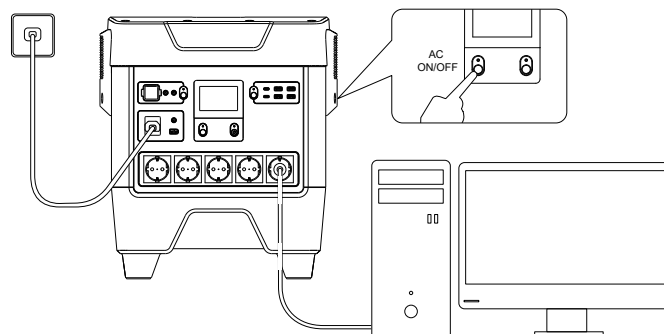
- The maximum voltage of solar panels that Portable Power Station can support is 60V, and the maximum current is 10A.
- It must be charged by solar panels with a voltage lower than 60V.
- The input voltage exceeding 60V has the risk of damaging the product.

How to use EPS function

1. Insert AC input to power the product. The product will automatically turn on and enter charging mode.
2. Plug in the AC appliance.
3. Press the AC power switch to activate the AC output function. The AC appliance will enter EPS power mode.
4. In the event of external AC power failure, the product will continue to provide AC power to the appliance.

CAUTION:

- Ensure that the AC input is stable and normal access to ground
- If the input current is bigger than 14A, turn off the input and the output at the same time, and start charging after 3S.



ATTENTION:

- This product has EPS function, but EPS is not a professional UPS, if the AC power supply suddenly fails, after the power off within 20ms can automatically switch to the battery power supply of this product. Do not connect to equipment that requires uninterrupted power supply (such as data servers, workstations, etc.); Or please test it many times to confirm whether it is compatible before using it, otherwise it will affect your experience.
- We are not responsible for any failure to operate the equipment properly or loss of data due to failure to follow the instructions.