

Specifications

Support configuration.	Tank		
Part number	14015050	14015070	
Tank kit with Rubber for support, Straps and Rubber for straps included	Yes	Yes	
Material	Steel	Aluminium	
Weight of tank	59	21	kg
Gross volume	240	240	litres
Working volume 1	198	198	litres
Working volume 2	179	179	litres
Working volume 3	159	159	litres
A: Suction port*	1,5"	1,5"	BSP
W: Width	280	280	mm
H: Height	700	700	mm
L: Length	1336	1336	mm
B: Outer suction port distance	838	838	mm
MW: Mounting width Pos	550	550	mm
WS: Width of support	330	330	mm

* The suction port (A) is closed with temporary plastic plug. Air breather and Return filter must be ordered separately.

Technical notes

· Mount the tank according the mounting instructions · Fill the tank with the recommended hydraulic oil to the centre of the level indicator · Change the oil once a year · Replace the air breather and return filter element twice a year · Do not use the tank to stand on or as a support · Do not weld on the oil tank ·

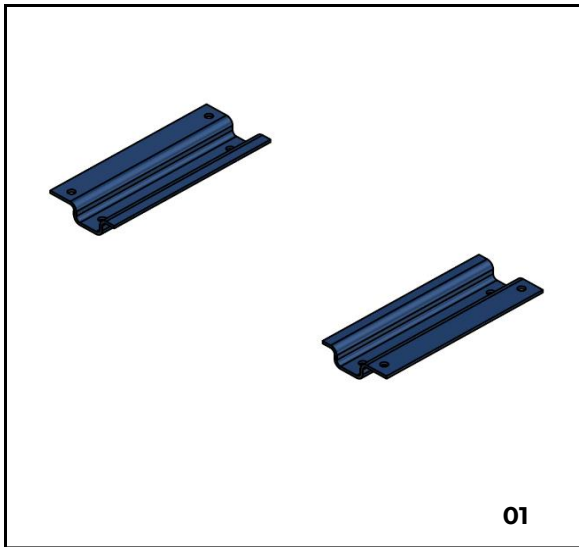
Steel tank painted black (RAL9005) and yellow (RAL1023)

Related documentation

Mounting instructions: OIL-0013

Oil specifications: OIL-0011

Mounting kit



Full kit

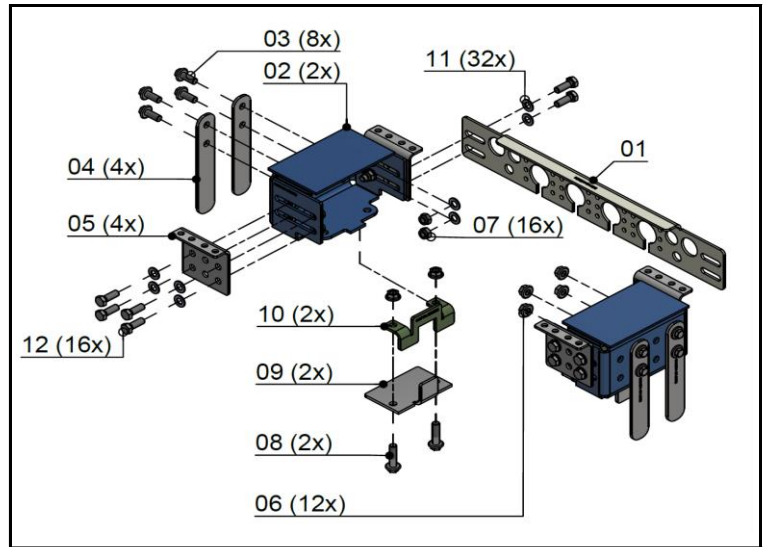
No.	Part no.	Description
01	14221604	RM Tank standard support kit*

* Full kit = 2 x (support brackets)

Spare parts



No.	Part no.	Description	Weight (kg)
02	14020351	Strap	1.0
03	14020332	Strap rubber	0.2
04	14221602	Support rubber	0.1



Full kit

No.	Part no.	Description
01	14221608	RM Tank easy mounting kit*

* Full kit = All below mentioned parts

This mounting kit is applicable for chassis width between 760-945mm, including tapered chassis of 4 degrees.

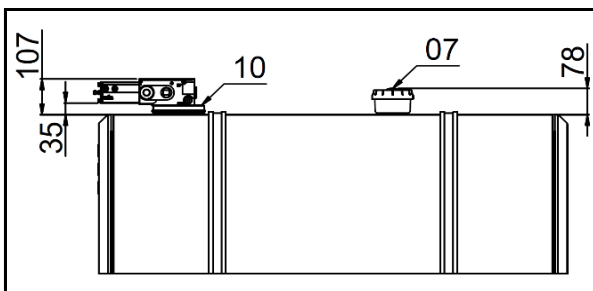
Spare parts

No.	Part no.	Description	Weight (kg)
01	14221611	Multifunction strip	3,0
02	14221609	Main bracket weld assembly	6.1
03	DIN 6921	Hexagon flange bolt M14 x 35	-
04	14221610	Chassis mounting plate	0,5
05	14221612	L mounting plate	0,7
06	DIN 6923	Hexagon flange nut M14	-
07	DIN 985	Hex. Locking nut M14	-
08	DIN 6921	Hexagon flange bolt M14 x 55	-
09	14221613	Clamp bottom plate	0,8
10	14221614	Clamp top plate	0,4
11	DIN 125A	Plain washer M14	-
12	DIN 933	Hexagon head bolt M14 x 40	-

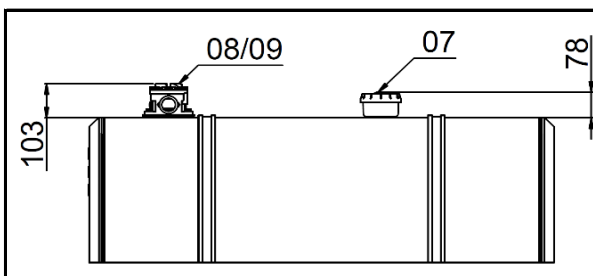
Air breather and Return filters

No.	Part no.	Description	Weight (kg)
07	08102116	Air breather	0.4
08	14780304	Return filter 150 L/m	1.0
09	14780334	Return filter HC 250 L/m	1.2
10	14895921	Return filter mounting plate 150 L/m	1.9

Mounting options



Valve mounted on tank



Chassis or cylinder (SAE) mounted valve