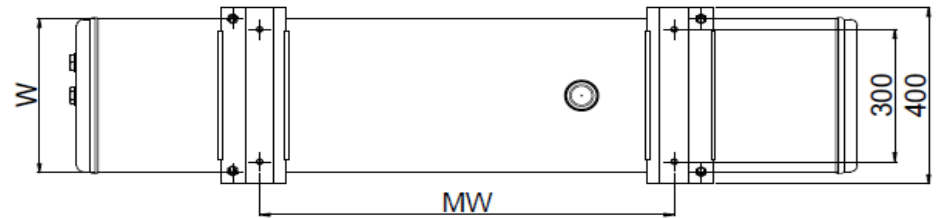
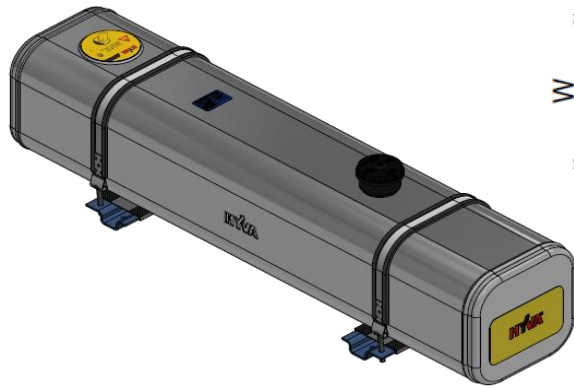
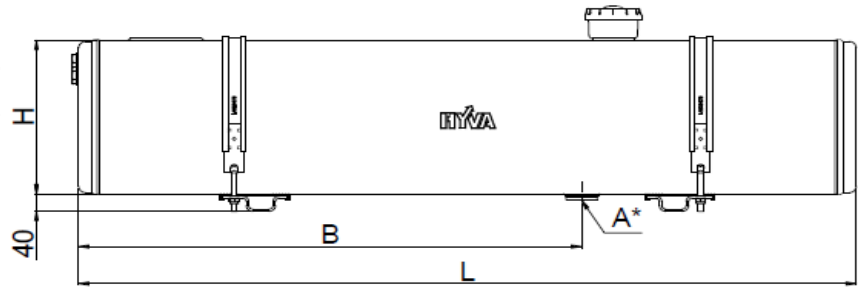
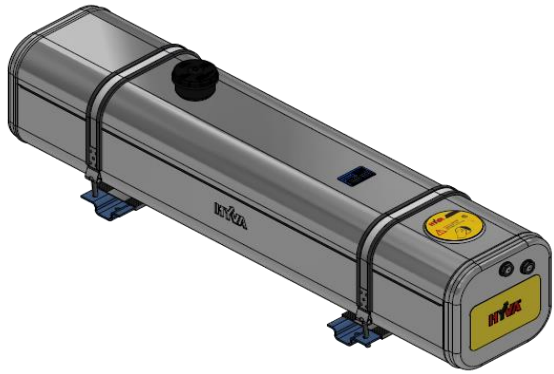


Long Low



3D model is available on request

Specifications

Support Configuration.	Tank		
	14015076	14015077	
Part number	14015076	14015077	
*Air breather, strap, strap rubber, supports & support rubber included with the tank	YES	YES	
Material	Aluminium	Aluminium	
W: Width	350	350	mm
H: Height	350	350	mm
L: Length	1600	1370	mm
MW: Mounting width	850	670	mm
B : Distance to suction port	1035	450	mm
Gross volume	177	152	litres
Working volume 1	144	123	litres
Working volume 2	128	109	litres
Weight of tank	28	26	kg
A: Suction port**	1.5"	1.5"	BSP

*Air breather is in the tank packaging and Return line filters must be ordered separately.

**The suction port (A) is closed with a temporary plastic plug.

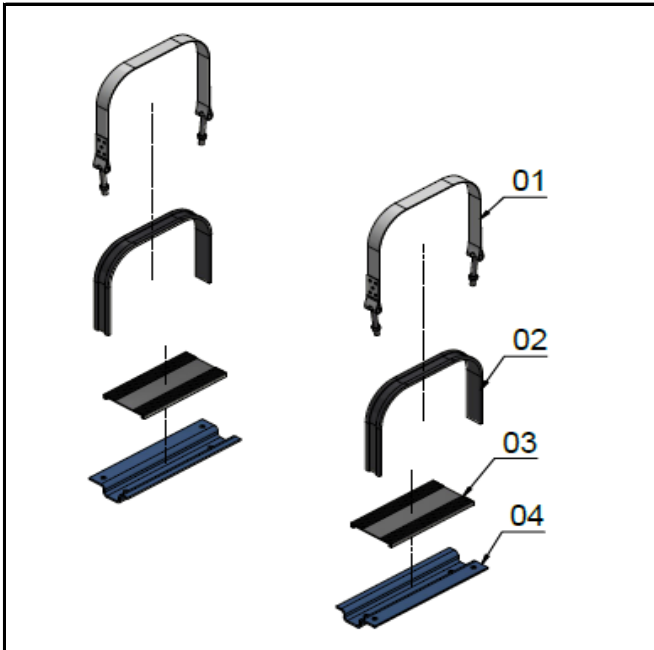
Technical notes

- Mount the tank according the mounting instructions • Fill the tank with the recommended hydraulic oil to the centre of the level indicator
- Change the oil once a year • Replace the air breather and return filter element twice a year • Do not use the tank to stand on or as a support
- Do not weld on the oil tank

Related documentation

Mounting instructions: OIL-0025

Oil specifications: OIL-0011

Support & strap rubbers

Full kit

No.	Part no.	Description
-	14221615	Standard support kit for LLRM oil tank*

* Full kit = 2 x the separate mounting parts (strap with T-bolt and nut (1), rubber for strap (2), rubber for support (3) and supports (4).

Spare parts

No.	Part no.	Description
01	14020471	Strap 858 x 40 mm for LLRM oil tank
02	14020357	Strap rubber 780 x 40 mm for LLRM oil tank
03	14221617	Support rubber 305 x 137 mm for LLRM oil tank
04	14221616	Support 400 x 35 mm for LLRM oil tank

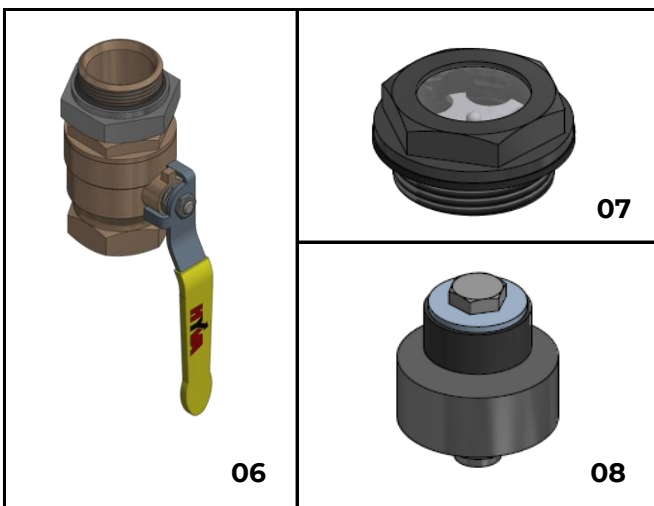
Attention! : All mounting parts are included with tank

Air breather


No.	Part no.	Description	Weight [kg]
05	08102116	Air breather	0.4

Attention! : Air breather included with tank.

For Air breather spec. sheet see DO-E 08102116

Accessories / Spare parts


No.	Part no.	Description	Weight [kg]
06	14780981	Ball valve 1 1/2" BSP*	1.2
07	08102121	Plastic spy eye 1" BSP (with gasket)**	0.017
08	08101078	Vibration Damper	0.2

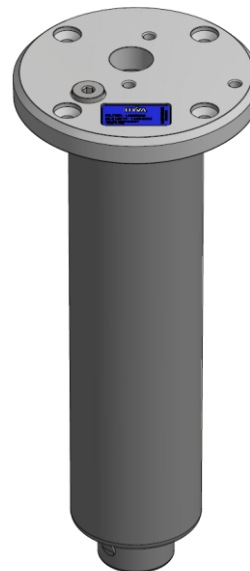
*For more suction component see LPADAP01

**Attention! : Spy eye included with Tank

Return filters



09



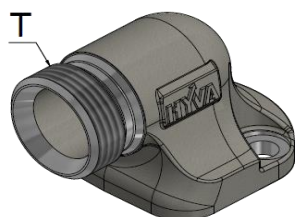
10

No.	Part no.	Description	Weight [kg]
09	14780358	Return filter housing type	2.7
10	14895926	Return filter plate type	1.9

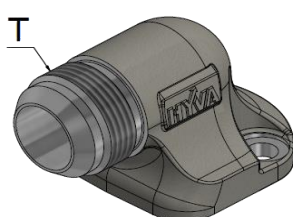
Attention! : Return line filters are not included with tank. To be ordered separately.

For Return line filter spec. sheet see RFILTE02

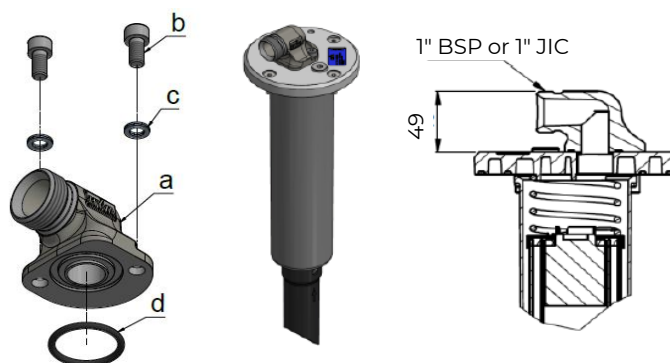
Option adaptor for plate filter



11



12

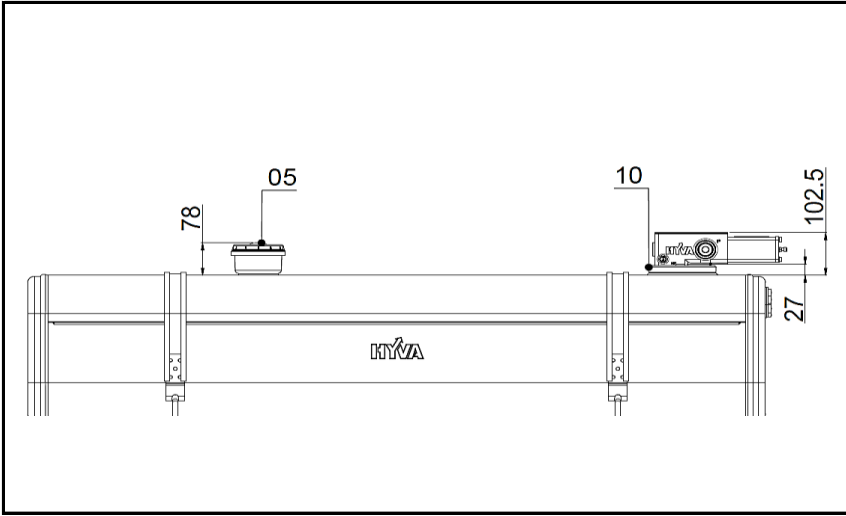


No.	Part no.	Description	Thread size (T)	Qty
11	01317987	Adaptor kit 90 for return filter	1" BSPOTC	1
12	01317988	Adaptor kit 90 for return filter	1" JICOTC	1

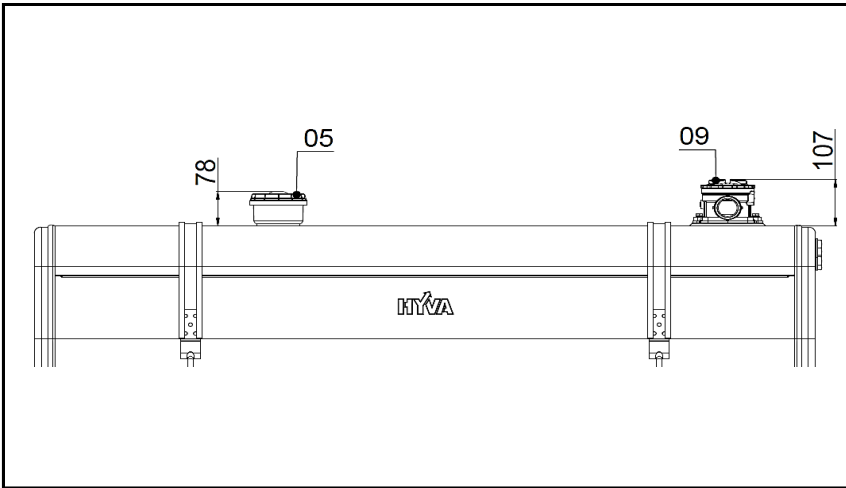
No.	Description	Qty
a	Adaptor-90-elbow-1" BSPOTC	1
	Adaptor-90-elbow-1" JICOTC	
b	Bolt HSHC M8x16x1.25 DIN 912 ZP	2
c	Nord-lock washer M8	2
d	O-Ring 34.60x2.62	1

Note : O-rings, bolts & washers are included with adaptor

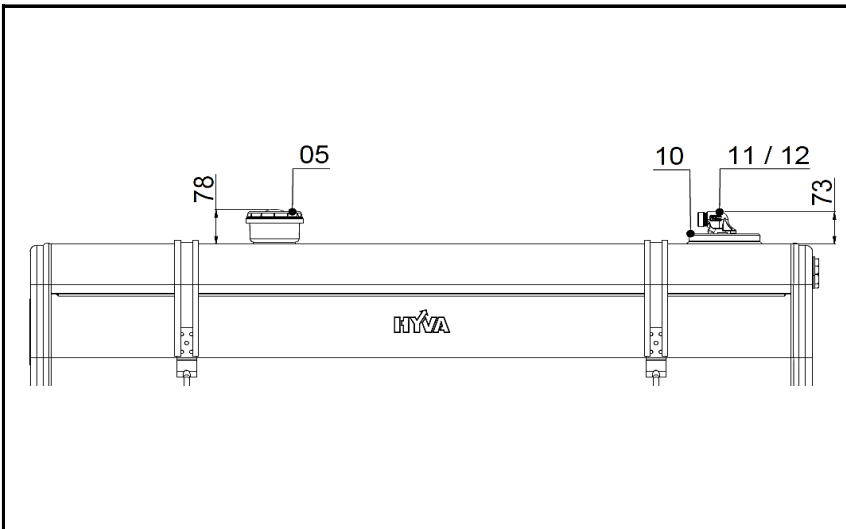
Valve mounting options



Valve mounted on top of tank



Valve mounted on chassis or cylinder (SAE)



Valve mounted on chassis or cylinder with Return line Plate version