

Leakage switch

For detection of liquid leakage. Designed for alarm, control and monitoring applications of containers, false floors, suspended ceilings or rooms for preventing unintended leakage. With changeover relay contact for control of control and display systems or for series connection with a valve to interrupt the water flow directly. Provision takes place automatically after drying off of the contacts. IP65 / NEMA 4 rated enclosure.


Type Overview

Type	Switching contact	Additional features
22HL-10	SPDT	Auto reset

Technical data

Electrical data	Nominal voltage	AC/DC 24 V
	Nominal voltage range	AC 21.6...26.4 V / DC 13.5...26.4 V
	Power consumption AC	1.5 VA
	Power consumption DC	0.6 W
	Electrical connection	Pluggable spring loaded terminal block max. 2.5 mm ²
	Cable entry	Cable gland with strain relief ø6...8 mm
Functional data	Application	Water
	Output signal leakage detector relay note	SPDT, potential-free Max. switching current 1 A @ 24 V Min. switching current 5 mA @ 10 V
Measuring data	Measured values	Conductivity
	Switching threshold	≈10 µS
Safety data	Protection class IEC/EN	III, Protective Extra-Low Voltage (PELV)
	Degree of protection IEC/EN	IP65
	Degree of protection NEMA/UL	NEMA 4
	EU Conformity	CE Marking
	Certification IEC/EN	IEC/EN 60730-1
	Quality Standard	ISO 9001
	Type of action	Type 1.B
	Rated impulse voltage supply	0.8 kV
	Pollution degree	3
	Ambient humidity	Max. 95% RH, non-condensing
	Ambient temperature	-20...70°C [-4...158°F] up to 85°C for max. 10 minutes
	Fluid temperature	-20...70°C [-4...158°F]
Materials	Cable gland	PA6, black
	Housing	Cover: PC, orange Bottom: PC, orange Seal: NBR70, black UV resistant

Safety notes

This device has been designed for use in stationary heating, ventilation and air-conditioning systems and must not be used outside the specified field of application. Unauthorised modifications are prohibited. The product must not be used in relation with any equipment that in case of a failure may threaten humans, animals or assets.

Ensure all power is disconnected before installing. Do not connect to live/operating equipment.

Only authorised specialists may carry out installation. All applicable legal or institutional installation regulations must be complied with during installation.

The device contains electrical and electronic components and must not be disposed of as household refuse. All locally valid regulations and requirements must be observed.

Remarks

General remarks concerning sensors Sensing devices with a transducer should always be operated in the middle of the measuring range to avoid deviations at the measuring end points. The ambient temperature of transducer electronics should be kept constant. The transducers must be operated at a constant supply voltage (± 0.2 V). When switching the supply voltage on/off, onsite power surges must be avoided.

Remark surface measurements When measuring temperature, humidity or condensation on a surface, both the temperature of the surface and that of the ambient air influence the measurement result. When measuring on a pipe surface, the influence of the ambient air can be minimized by using thermal paste.

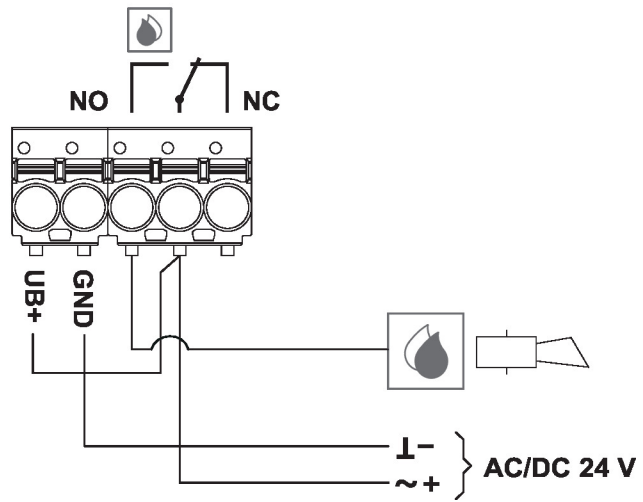
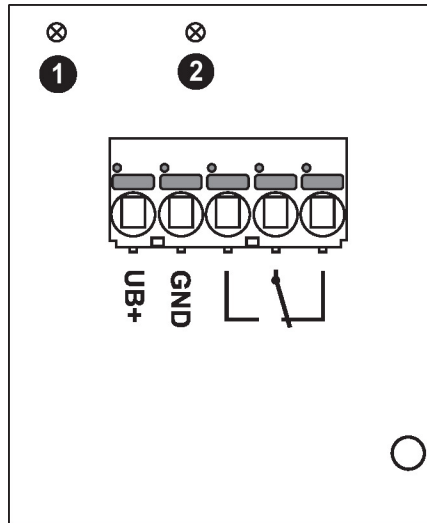
Parts included

Cable tie
Adhesive mounting socket
Dowels
Screws

Accessories

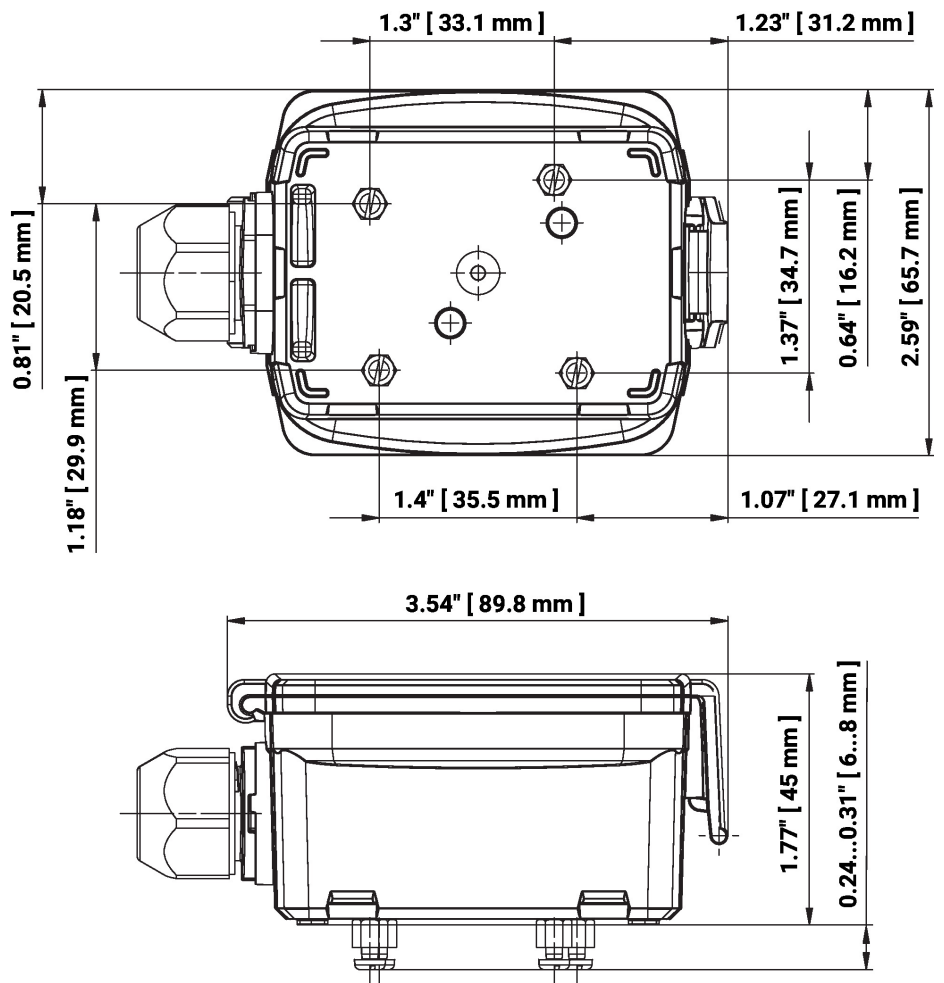
Optional accessories	Description	Type
	Connection adapter flex conduit, M20x1.5, for cable gland 1x 6 mm, Multipack 10 pcs.	A-22G-A01.1

Wiring diagram



- ① LED green: power supply OK
- ② LED red: leakage

Dimensions



Further documentation

- Installation instructions