



**DISTRIBUTORI  
OLEODINAMICI**

**WMM6**

**MANUALLY OPERATED  
DIRECTIONAL CONTROL VALVES**

WMM6 SERIES MANUALLY OPERATED DIRECTIONAL CONTROL VALVES ARE DIRECT TYPE DIRECTIONAL SPOOL VALVES. THESE VALVES ARE USED TO THE START, STOP AND DIRECTION OF FLOW. THIS SERIES WITH DETENT OR RETURN SPRING ARE AVAILABLE.

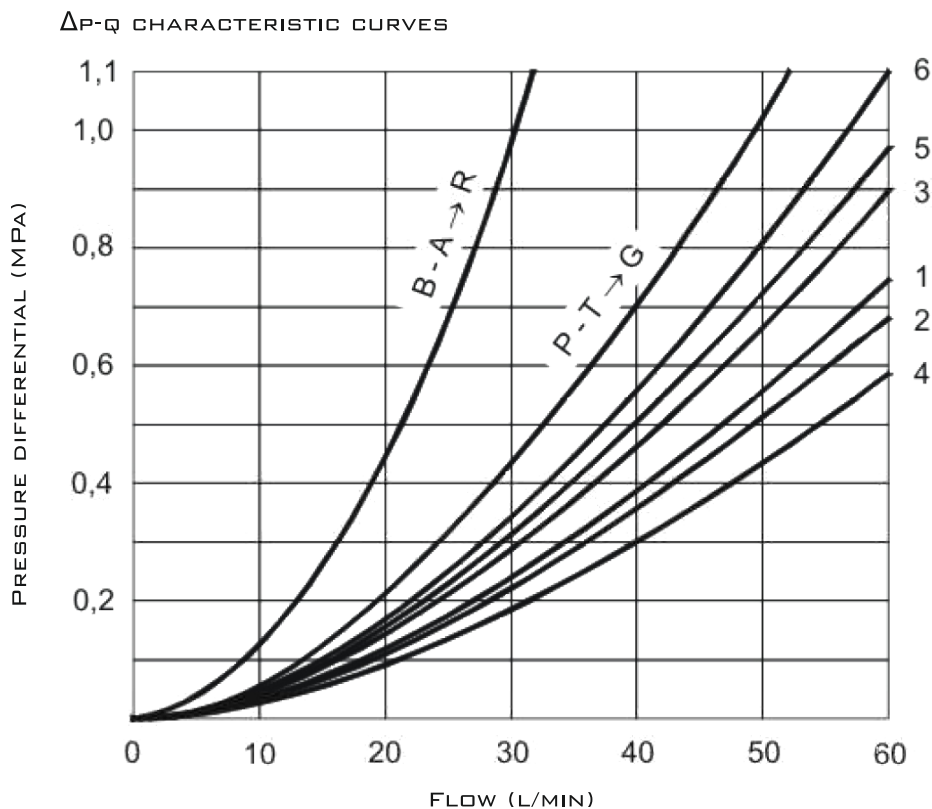


### TECHNICAL DATA

SIZE		6
MAX. FLOW RATE (L/MIN)		60
OPERATING PRESSURE (MPA)	A, B, P PORTS	31.5
	T PORT	16
WEIGHT (KG)		1.5
VALVE BODY (MATERIAL)		CASTING PHOSPHATING SURFACE



## CHARACTERISTIC CURVES



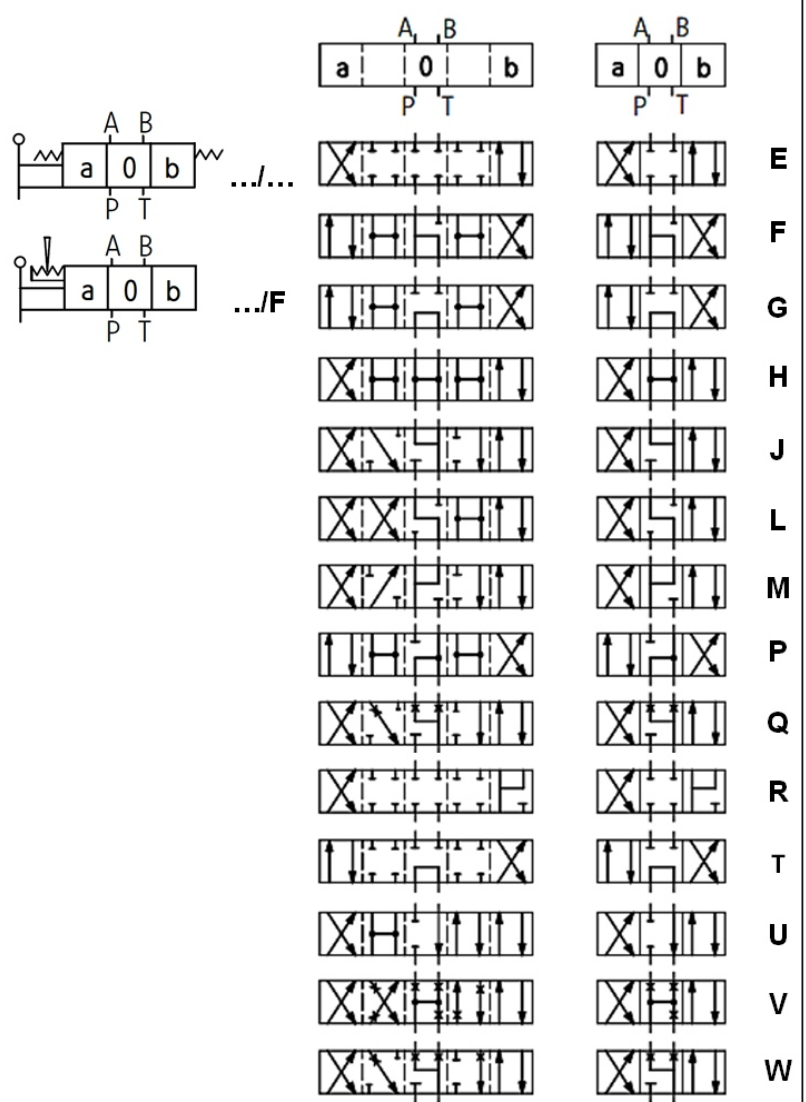
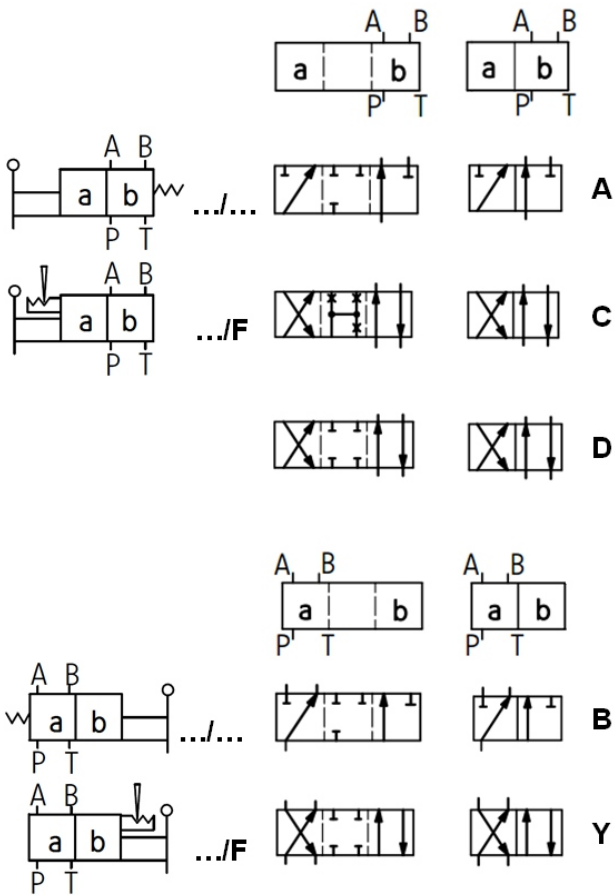
SPOOL SYMBOL	FLOW DIRECTION			
	P - A	P - B	A - T	B - T
A, B	3	3	-	-
C	1	1	3	1
D, Y	5	5	3	3
E	3	3	1	1
F	2	3	3	5
G	5	3	6	6
H	2	4	2	2
J, Q	1	1	2	1
L	1	1	2	2
M	2	4	3	3
P	2	3	3	5
R	5	5	4	-
T	5	3	6	6
U	3	1	3	3
V	1	2	1	1
W	1	1	2	2



SPOOL SYMBOLS

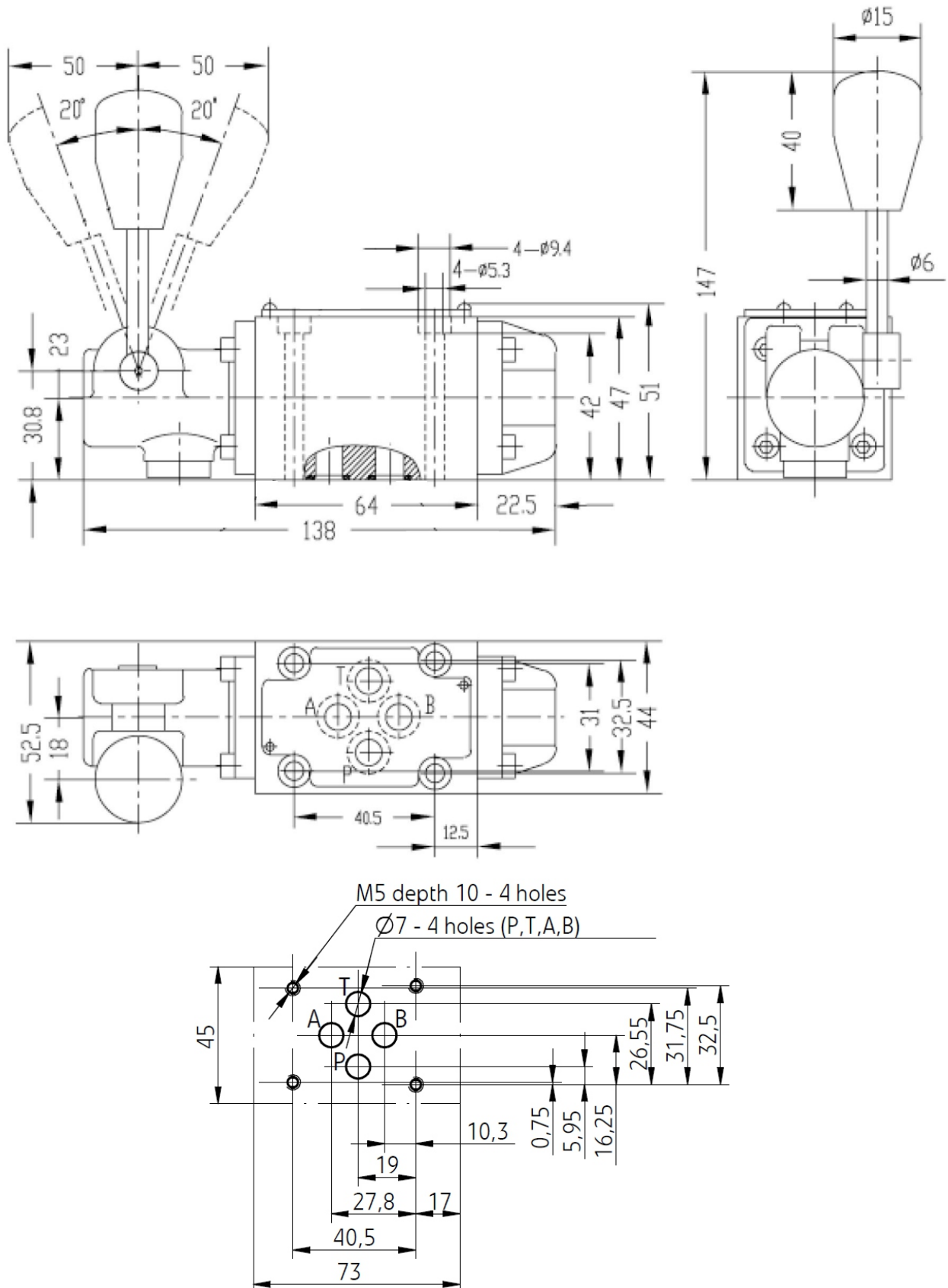
2-POSITION VALVES

3-POSITION VALVES



SEE ALSO:  
WMM10, WMM16,  
WMM25

## SUBPLATE INSTALLATION DIMENSIONS





**DISTRIBUTORI  
OLEODINAMICI**

**WMM6**

MANUALLY OPERATED  
DIRECTIONAL CONTROL VALVES

**ORDER CODE**

	WMM	6							
--	-----	---	--	--	--	--	--	--	--

3=3-WAY  
4=4-WAY

6=6 SIZE

SPOOL TYPE

10=10 SERIES  
50=50 SERIES

NO CODE=SPRING RETURN WITHOUT DETENT  
F=DETENT WITHOUT SPRING RETURN

NO CODE=HANDLE ON SIDE OF  
PORT A  
L=HANDLE ON SIDE OF PORT B

NO CODE=MINERAL SUBSTANCE  
HYDRAULIC OIL  
V=PHOSPHATE EATER  
HYDRAULIC OIL

NO CODE=WITHOUT THROTTLE INSERT  
B0.8=THROTTLE 0.8 MM  
B1.0=THROTTLE 1.0 MM  
B1.2=THROTTLE 1.2 MM