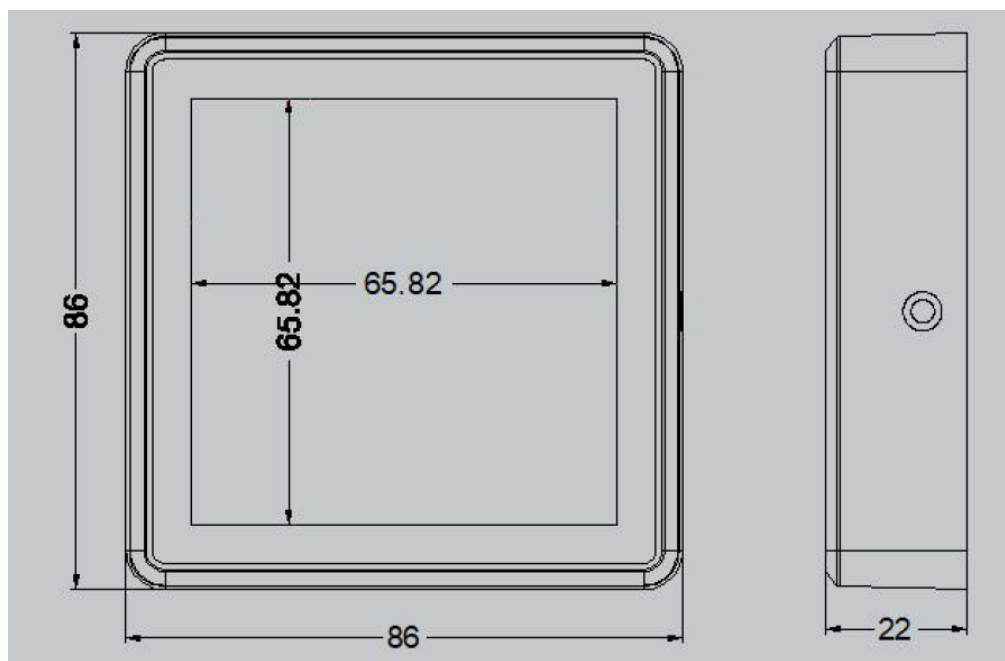


HW-1822C

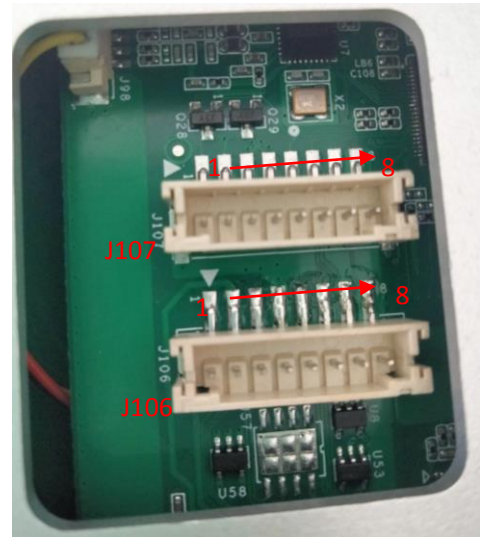
FEATURES & BENEFITS

- Pixel resolution 640*480
- Support 1D/2D barcode on paper and screen
- Support 13.56MHz M1&CPU&NTAG etc.
- 5-32V DC wide power voltage
- Support wiegand/USB/RS232/RS485
- Wall mounted installation method

Dimensions and Pictures



Interface pin definition



J106 Pin number	Pin description	description
1	A	485 A
2	B	485 B
3	N/A	
4	GND	ground
5	RS232 TX	232 serial transmit
6	RS232 RX	232 serial receive
7	GND	Ground
8	VCC	5V-32V DC power

J107 Pin number	Pin description	description
1	Wiegand_D0	WG D0
2	Wiegand_D1	WG D1
3	USB_DM	USB-
4	USB_DP	USB +
5	TTL RX	232 serial transmit
6	TTL TX	232 serial receive
7	GND	Ground
8	VCC	5V-32V DC power

Technical Specification

HW-1822C Parameters

Barcode Reading performance	Image Sensor	CMOS
	Resolution	300 thousand 640*480pixels
	Decoding capacity	Support paper and screen barcodes
		2D: QR, PDF417,Data Matrix code etc.
		1D: Code 128,EAN-8, EAN-13,Interleaved 2 of 5,UPC-A, Code 39,UPC-E, etc.
	Barcode Density	10mil
	Light Source	624nm Visible red LED
	Scan Angle	Rotation360° ,tilt±60° ,skew±60°
	Min Contrast	30%
	Scanning Speed	200 times/s
Typical DOF	30-100mm(10mil code128) 45-130mm(20mil QR) Performance may be impacted by bar code quality and environmental conditions	
Card Reading Performance	RFID Frequency	13.56MHz ISO/IEC 14443 TYPEA/B
	Card Type	M1&CPU&NTAG
	Data format	Default 10 bits decimal (can be set)
	Reading Distance	0-50mm(depend on card type)
	Reading Rate	106K/Bit
	Reading Speed	0.1S
	Interval	0.5S
	Reading Time	≤100ms
Mechanical and electrical	Interface	USB(COM),RS232,RS485,Wiegand,TTL
	Working Voltage	DC 5-32V
	Current	200mA(working)
	Dimensions	86mm×86mm×22mm
	Weight	100g(NW)
Environment Request	Indication	Buzzer & LED
	Operation System	XP WIN7/8/10 LINUX
	Working Tem	-20~60℃
	Storage Tem	-40~70℃
	Humidity	5%-95%(Non-condensing)
Light Immunity	0~10,000Lux	