

HYVA GEAR PUMPS



EXTERNAL GEAR TYPE - BRITE SERIES

Hyva

gear pump type :

gear pump 052L - BI - 3H - BRITE

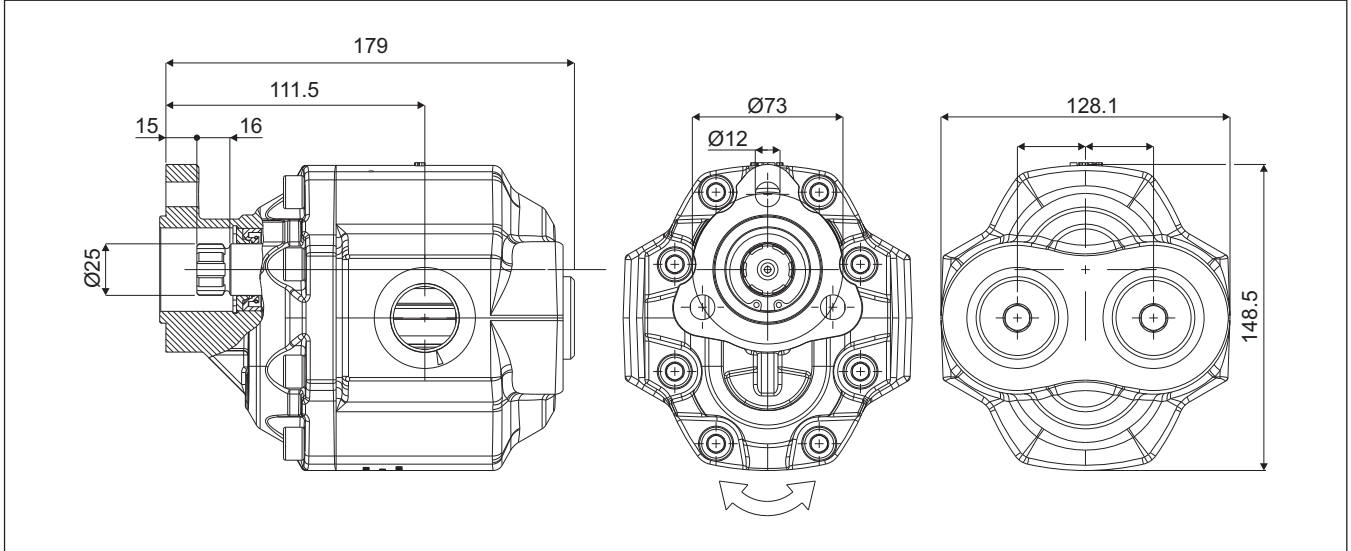
part number :

145 63 052

page # 1 / 2

rotation :

bi-rotational

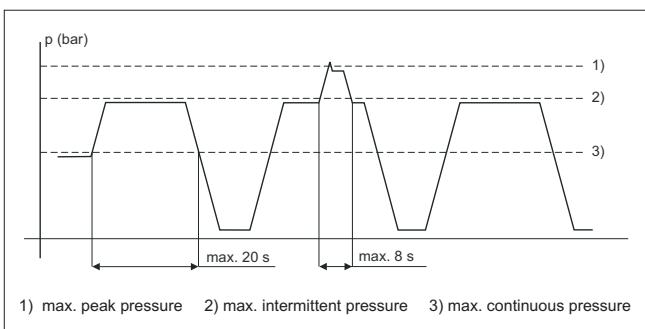


specifications

displacement per revolution	:	51,88	cm ³
maximum peak pressure	:	280	bar
maximum intermittent pressure	:	270	bar
maximum continuous pressure	:	250	bar
maximum speed without load	:		min ⁻¹
max. speed at intermittent press.	:	2500	min ⁻¹
min. speed at intermittent press.	:	300	min ⁻¹
oil temperature range	:	-25↔80	°C
inlet pressure range (suction side)	:	12↔3	bar (abs)
recommended oil viscosity range	:	12↔100	mm ² /s (cSt)
maximum starting viscosity	:	750	mm ² /s (cSt)
filtration :			
- working pressure < 200 bar	:	25	µm
- working pressure > 200 bar	:	10	µm
connection :			
- inlet - straight internal thread	:	1	" B.S.P.
- outlet - straight internal thread	:	1	" B.S.P.
minimum suction hose bore diameter	:	1,75	inch
shaft UNI 6604-69 spline	:	6*21*25	mm
mass	:	10,7	kg
noise level at 900 min ⁻¹ and 100 bar	:	62.6	dB(A)
noise level at 1500 min ⁻¹ and 100 bar	:	67.5	dB(A)

efficiency diagram on request

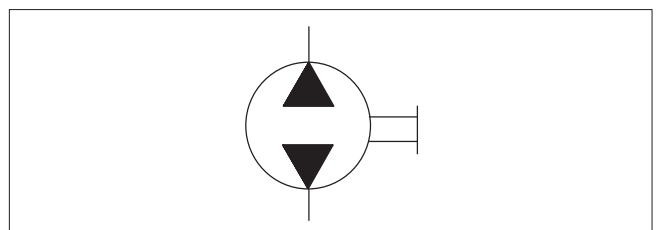
pressure definition



power and torque

Pressure (bar)	50	100	150	200	250	275
Torque (Nm)	48	90	130	169	203	218
Power (kW)						
500	2	5	7	9	11	11
1000	5	9	14	18	21	23
1500	7	14	20	26	32	34
2000	10	19	27	35	43	46
2500	12	24	34	44	53	57
Flow (L/min.)						
500	25	24	24	24	24	24
1000	50	49	48	48	48	48
1500	75	73	72	72	72	72
2000	100	98	97	96	96	96
2500	125	122	121	120	119	119

hydraulic pump symbol



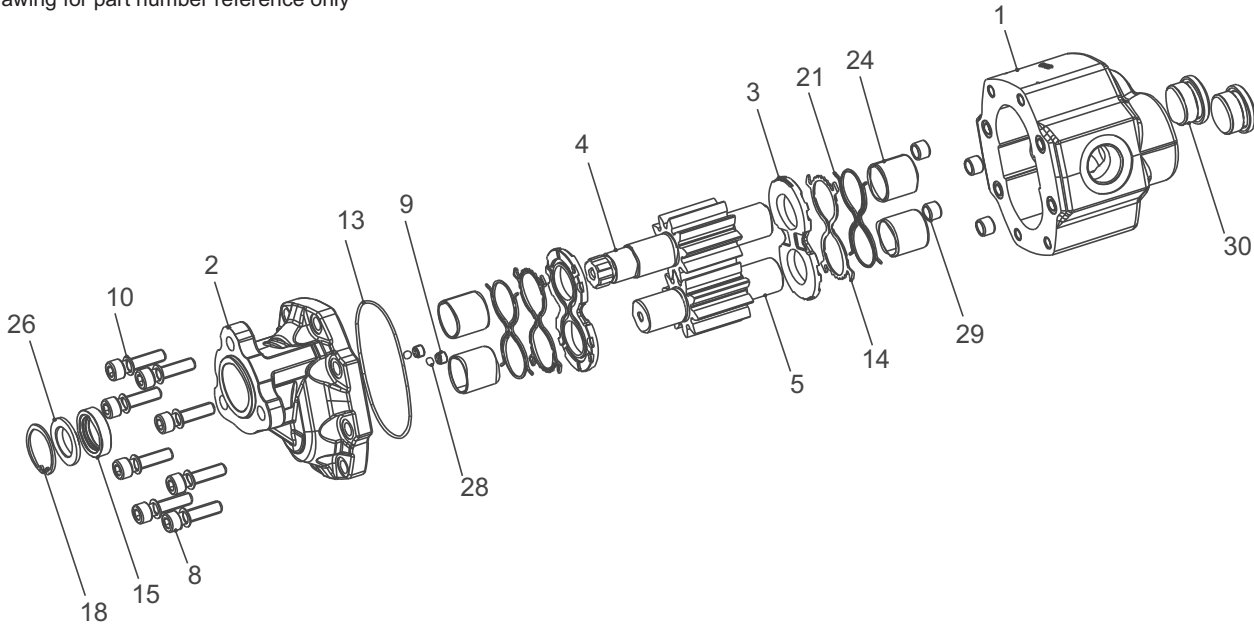
HYVA GEAR PUMPS



EXTERNAL GEAR TYPE - BRITE SERIES

Hyva	gear pump type :	gear pump 052L - BI - 3H - BRITE
page # 2 / 2	part number :	145 63 052
	rotation :	bi-rotational

drawing for part number reference only



spare part list gear pump 145 63 052

pos.	code no.	description	qty.
1	145 63 052 01	body	1
2	145 63 052 02	front cover	1
3	022 59 400	thrust plate Brite	2
4	145 63 052 04	drive shaft	1
5	145 63 052 05	driven gear	1
8	145 63 052 08	screw	8
9	145 63 052 09	dowel 1/8"	2
10	145 63 052 10	washer	8
13	145 63 052 13	O-ring	1
14	145 63 052 14	seal	2
15	145 63 052 15	shaft seal	1
18	145 63 052 18	circlip	1
21	145 63 052 21	back-up ring	2
24	145 63 052 24	sleeve bearing	4
26	145 63 052 26	back-up washer plastic	1
28	145 63 052 28	ball	2
29	145 63 052 29	steel bushes	4
30	145 63 052 30	steel plug	2

seal kit

code no.	description	qty.
024 60 067	seal kit complete	1
	(comprises 13, 14, 15, 21 & 26)	

general information and mounting possibilities.

The mentioned data on page 1 is for mineral based oil.
For other fluids, please contact our engineering dept.

The filtration as mentioned is for tippers only. For different applications we advise filtration according ISO 4406 class 17/14.

To avoid cavitation, the suction hose must be kept as short and straight as possible, and the minimum oil level in the oil tank must be above the inlet of the pump.

Side and/or rear ports can be used as desired.

Torque plugs:

3/4"	60 Nm
1"	75 Nm
1 1/4"	115 Nm