

HYVA GEAR PUMPS



EXTERNAL GEAR TYPE - BRITE SERIES

Hyva

gear pump type :

gear pump 061L - BI - 3H - BRITE

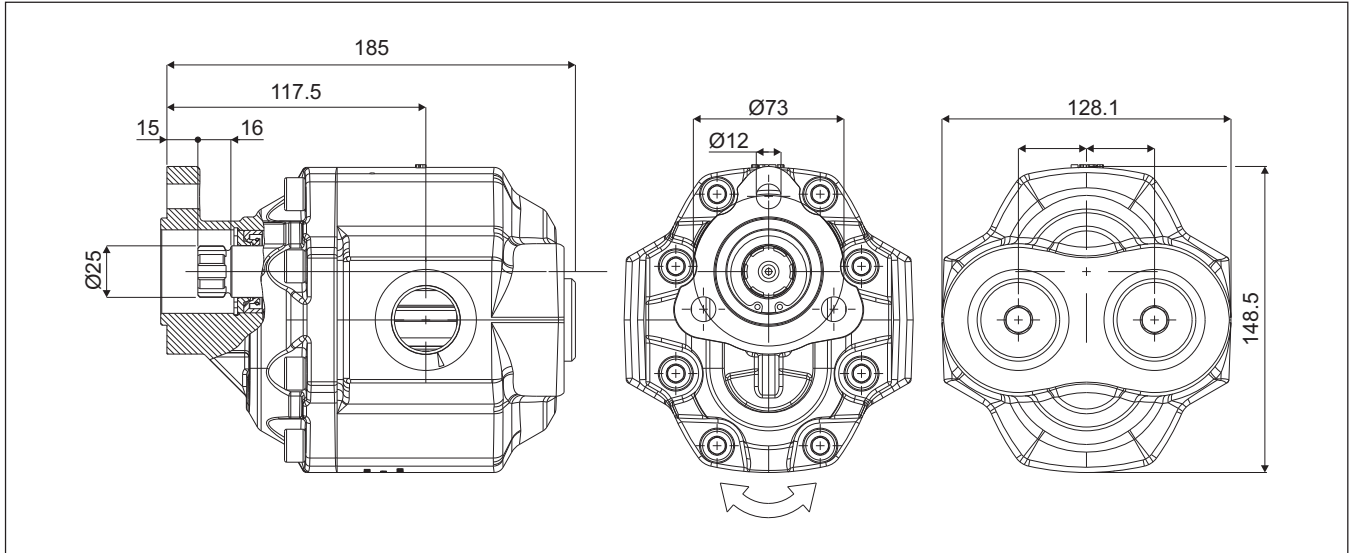
page # 1 / 2

part number :

145 63 061

rotation :

bi-rotational

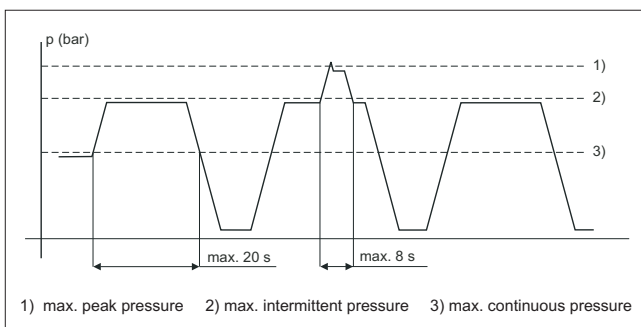


specifications

displacement per revolution	:	61,26	cm ³
maximum peak pressure	:	260	bar
maximum intermittent pressure	:	250	bar
maximum continuous pressure	:	230	bar
maximum speed without load	:		min ⁻¹
max. speed at intermittent press.	:	2500	min ⁻¹
min. speed at intermittent press.	:	300	min ⁻¹
oil temperature range	:	-25↔80	°C
inlet pressure range (suction side)	:	12↔3	bar (abs)
recommended oil viscosity range	:	12↔100	mm ² /s (cSt)
maximum starting viscosity	:	750	mm ² /s (cSt)
filtration :			
- working pressure < 200 bar	:	25	µm
- working pressure > 200 bar	:	10	µm
connection :			
- inlet - straight internal thread	:	1	" B.S.P.
- outlet - straight internal thread	:	1	" B.S.P.
minimum suction hose bore diameter	:	1,75	inch
shaft UNI 6604-69 spline	:	6*21*25	mm
mass	:	10,7	kg
noise level at 900 min ⁻¹ and 100 bar	:	65,1	dB(A)
noise level at 1500 min ⁻¹ and 100 bar	:	69,4	dB(A)

efficiency diagram on request

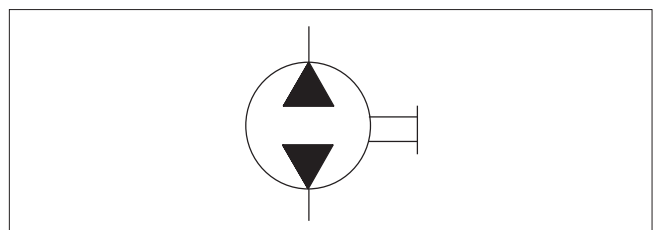
pressure definition



power and torque

Pressure (bar)	50	100	150	200	250
Torque (Nm)	56	106	154	199	240
Power (kW)					
500	3	6	8	10	13
1000	6	11	16	21	25
1500	9	17	24	31	38
2000	12	22	32	42	50
2500	15	28	40	52	63
Flow (L/min.)					
500	29	29	29	28	28
1000	59	58	57	57	56
1500	88	87	86	85	85
2000	118	116	114	113	113
2500	147	145	143	142	141

hydraulic pump symbol



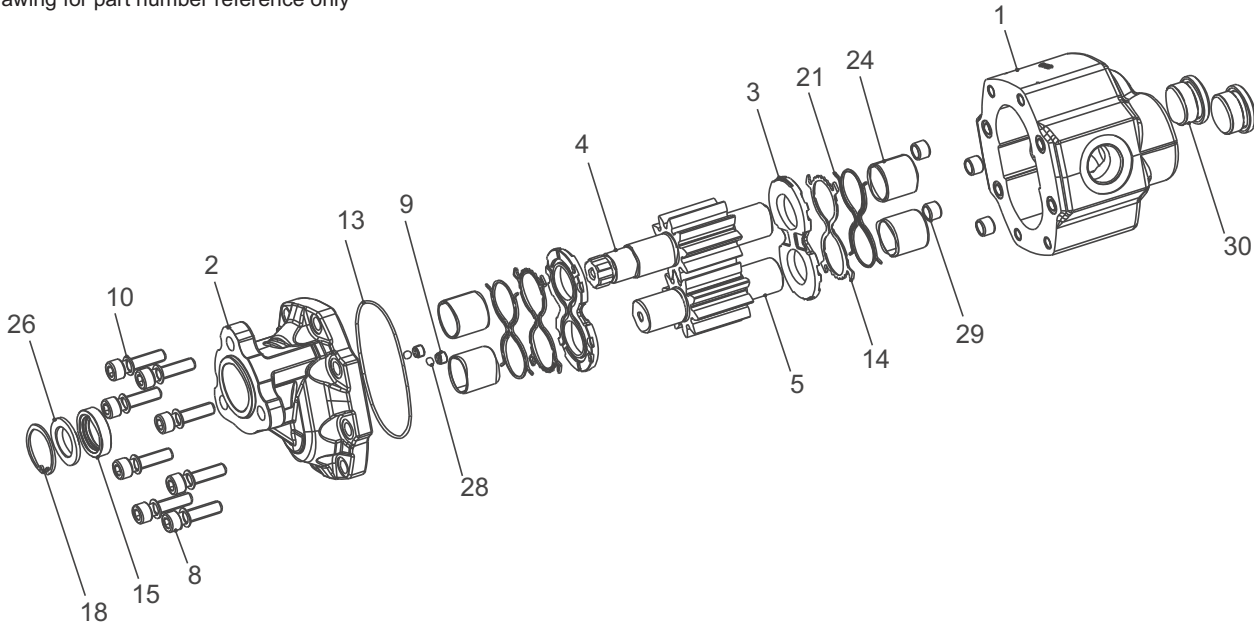
HYVA GEAR PUMPS



EXTERNAL GEAR TYPE - BRITE SERIES

Hyva	gear pump type :	gear pump 061L - BI - 3H - BRITE
page # 2 / 2	part number :	145 63 061
	rotation :	bi-rotational

drawing for part number reference only



spare part list gear pump 145 63 061

pos.	code no.	description	qty.
1	145 63 061 01	body	1
2	145 63 061 02	front cover	1
3	022 59 400	thrust plate Brite	2
4	145 63 061 04	drive shaft	1
5	145 63 061 05	driven gear	1
8	023 59 217	screw	8
9	145 63 061 09	dowel 1/8"	2
10	145 63 061 10	washer	8
13	023 91 701	O-ring	1
14	145 63 061 14	seal	2
15	145 63 061 15	shaft seal	1
18	145 63 061 18	circlip	1
21	145 63 061 21	back-up ring	2
24	145 63 061 24	sleeve bearing	4
26	145 63 061 26	back-up washer plastic	1
28	145 63 061 28	ball	2
29	145 63 061 29	steel bushes	4
30	145 63 061 30	steel plug	2

seal kit

code no.	description	qty.
024 60 067	seal kit complete	1

(comprises 13, 14, 15, 21 & 26)

general information and mounting possibilities.

The mentioned data on page 1 is for mineral based oil.
For other fluids, please contact our engineering dept.

The filtration as mentioned is for tippers only. For different applications we advise filtration according ISO 4406 class 17/14.

To avoid cavitation, the suction hose must be kept as short and straight as possible, and the minimum oil level in the oil tank must be above the inlet of the pump.

Side and/or rear ports can be used as desired.

Torque plugs:

3/4"	60 Nm
1"	75 Nm
1 1/4"	115 Nm