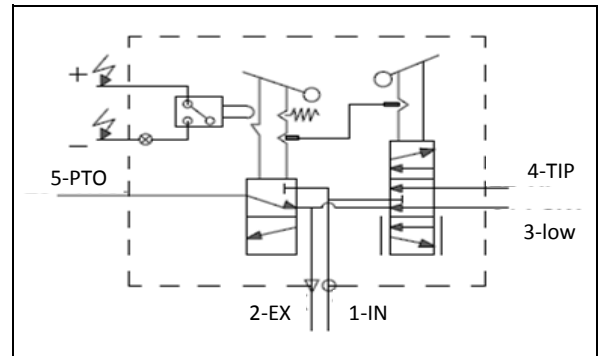


### Specification

Max. air pressure	12 Bar	Connections	6 mm hose
Min. air pressure	5 Bar	Mounting holes	M6
Max. temperature	80 °C	Voltage lamp	24 VDC
Min. temperature	-40 °C	Weight	0,4 KG

### Pneumatic symbol



Section	Lever characteristic		PTO control		Part no.
	TS/LF	TF/LF	PNL	PAL	
1-section	•	•			14750667H 14750665H
2-section	•	•	•	•	14750646H 14750652H 14750644H 14750650H

TF	Lever is fixed in tipping position
TS	Lever has spring return in tipping position
LF	Lever is fixed in lowering position
PNL	P.T.O control has no automatic disengage P.T.O has a lamp
PAL	P.T.O control has an automatic disengage P.T.O has a lamp

### NOTE:

The air control TF/LF is not allowed to be used on a tipper in the EU according Machinery Directive 2006/42/EC, chapter 3.3.1

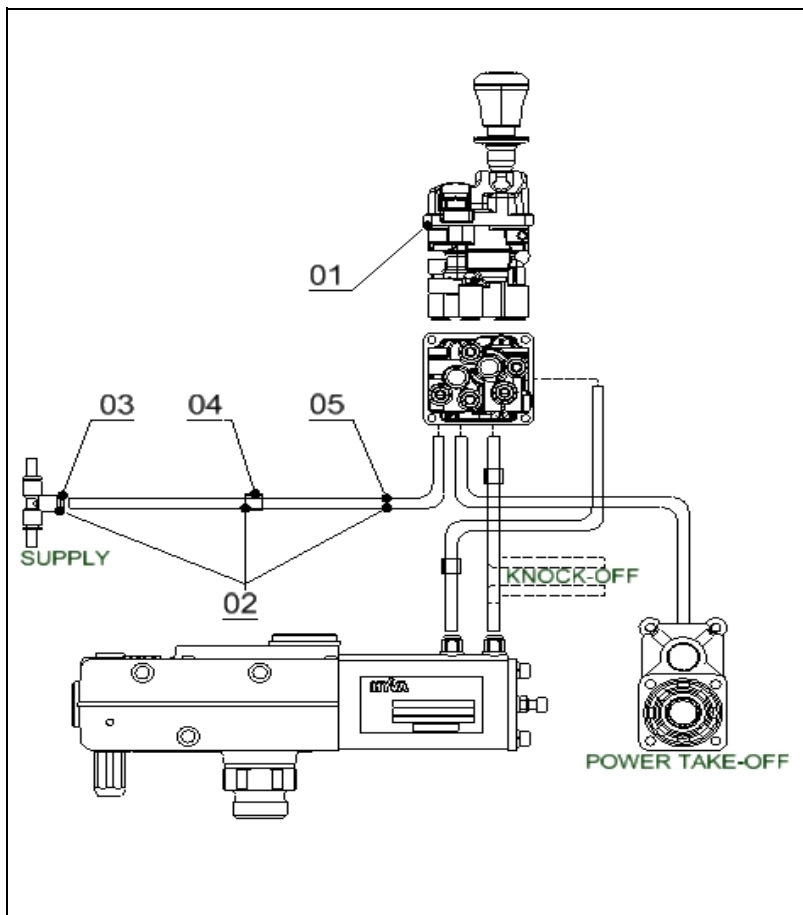
### Technical notes

- When used with a compatible tipping valve with proportional lowering, the speed of descent of the body can be regulated by the proportional movement of the air control lever.
- The air control includes an electrical indicator to show P.T.O. engagement.
- The functions of Hyva air controls are clearly indicated on the type plate.
- Make sure inlet air is dry.

### Related documentation

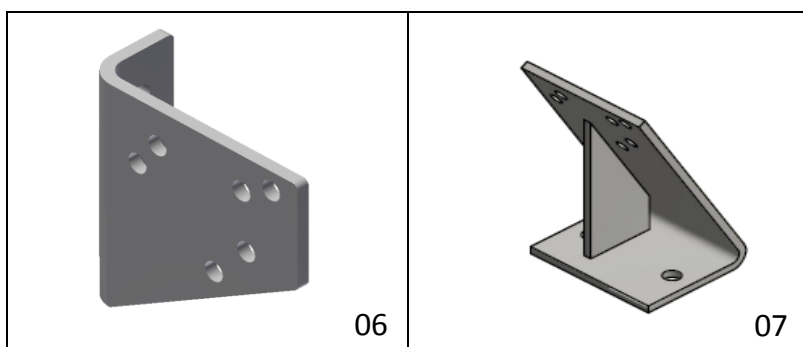
Mounting instructions: AIR- 0002

### Options



POS	Part no.	Description	Qty.
01	147506xxH	Air control	1
02	14750119K	Air tube kit 6mm 25 meter single tube	1
02	14750120K	Air tube kit 6mm 9 meter (3 in 1)	1
02	14750121K	Air tube kit 6mm 9 meter (2 in 1)	1
03	09225005	T-piece 6mm	1
04	14875500	Air tube tie	8
05	1487500715	Air tube 15m - 4x6 mm	1
05	1487500720	Air tube 20m - 4x6 mm	1
05	1487500725	Air tube 25m - 4x6 mm	1
05	1487500735	Air tube 35m - 4x6 mm	1

### Mounting Support



POS	Part no.	Description	Weight (kg)
06	09232002	Support tip control	0,18
07	09205002	Support tip control	0.44