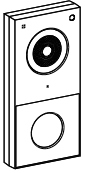
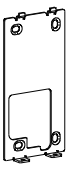

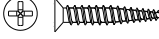


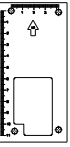
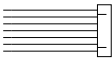

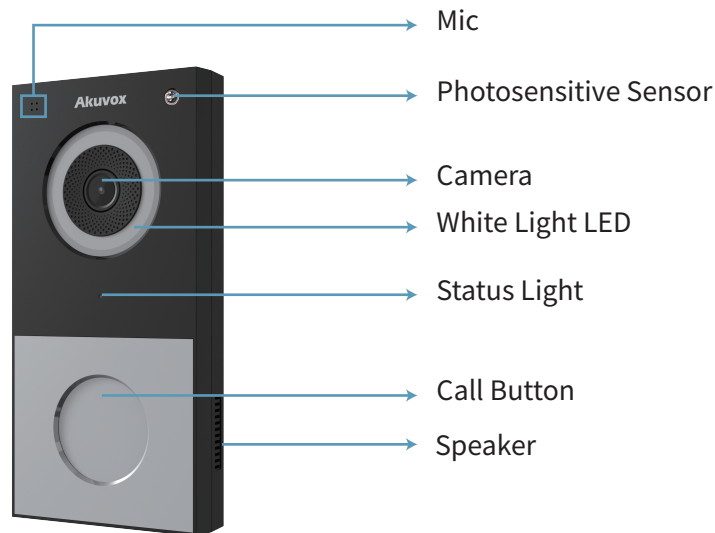


Unpacking

Before using the device, check the device model and ensure that the shipped box includes the following items:

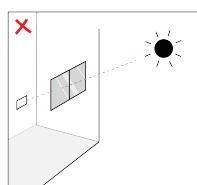
 1 x	 1 x	 4 x	 4 x	 2 x
DB01	Wall-mounting bracket	Plastic wall anchor	ST4X20 crosshead screw	ST3X6 torx head screw
 1 x	 1 x	 1 x	 1 x	
Torx wrench	Wall-mounting template	8-PIN cable	Diode	

Product Overview

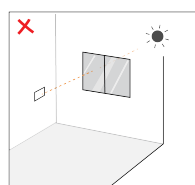


Installation Environment

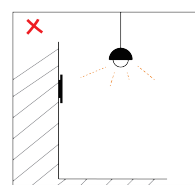
1. Please do not place device under direct sunlight, it will bring bad effect or be broken with high temperature.
2. The device only can be installed indoors, please keep device at least 2 meters away from light, and at least 3 meters away from window and door.
3. Do not place the device in the high-temperature, and humid environments or in surroundings impacted by magnetic field.
4. Install the device securely to avoid personal injuries and property loss caused by device's falling.
5. Do not use or place the device near heating objects.



Direct sun through window



Indirect sunlight through window



Close to light

Safety Cautious

1. Do not touch power cord, power adapter, and device with wet hands.
2. Do not bend and pull power cord.
3. Do not damage power cord, power adapter, and device.
4. Use qualified power adapter and power cord.

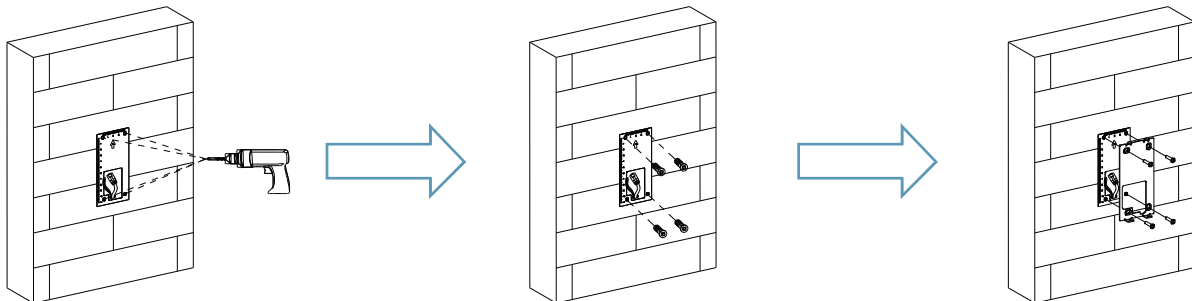
Cleaning

We advise you use wet cloth clean device surface softly, and then wipe the surface with dry cloth for cleaning the device.

Other Tips

1. Do not expose device to chemical products, such as alcohol, acid liquid, disinfectants, and so on.
2. Do not press down hard on the device screen.
3. Do not knock device with hard objects.
4. Be careful that standing up on the area under the device in case of personal injuries cause by hitting the device.
5. Do not attempt to modify, alternate, maintain, or repair device by yourself. Akuvox warranty does not apply to damages caused by anyone who is not representative of Akuvox or an Akuvox authorized service provider. Please contact Akuvox Technical Team if the device need to be repaired.
6. Power off the device and contact Akuvox Technical Team immediately if there is abnormal situation of the device, such as uncommon sound, smell, and so on.

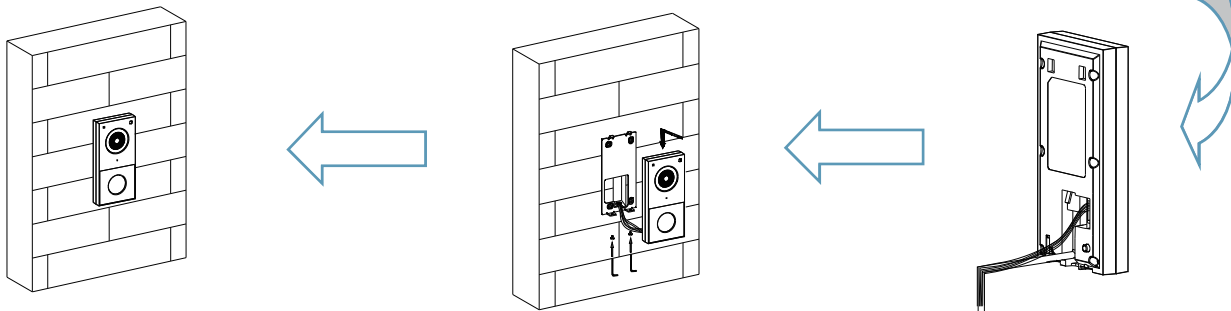
Installation



Stick the wall-mounting template to the desired installation spot. Follow the marked screw hole indicators on the template, and use a 6 mm drill bit to make four screw holes, each with a depth of 25mm.

Insert four plastic wall anchors into the holes.

Attach the wall-mounting bracket to the wall by tightening four ST4X20 crosshead screws into the plastic wall anchors.

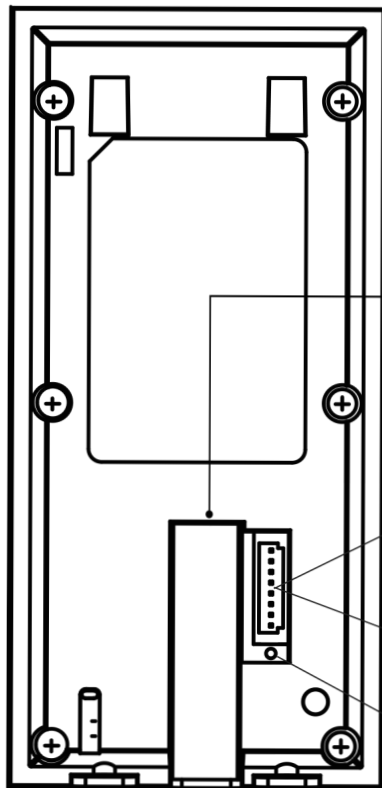


Ensure that the device is securely installed, and power up it to check its status. The installation is completed.

Line up the hooks on the bracket with holes on the device. Press the device into the bracket and slide down to install it. Use a Torx wrench to tighten two ST3X6 Torx head screws into the bottom to fix device.

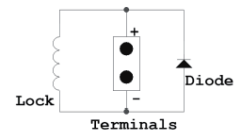
Insert cable into interface as needed, then connect the wires. For detailed information about interface, refer to "Device Wiring".

Device Wiring



Warning

When you connect a device containing a coil, such as a relay or an electromagnetic lock, it is necessary to protect the intercom against voltage peak while switching off the induction load. For this way of protection we recommend a diode 1 A / 200 V (included in the accessories) connected antiparallel to the device.



RJ45



Power Input

Input

Relay Output

Reset

+12V

PWR_GND

DOOR_IN

GND

X

NO

COM

NC

Power Adapter

Exit

Door Lock

Wire Length & AWG Table

Please follow the properly measured wire gauge/length to install device:

	20AWG	22AWG	24AWG	26AWG
12V 1A Power Adapter	≤50m	≤50m	≤40m	≤30m

IP Announcement

1. After DB01 starts up normally, hold the Call Button for 5 seconds after the LED light turns blue, device will enter IP announcement mode.
2. In announcement mode, the IP address will be announced periodically. And device will announce "IP 0.0.0.0" if no IP address is gained.
3. Press Call Button to quit the announcement mode.

Configuration

1. Access Web UI: Type the IP address into browser to configure the device.
2. Register Account: On web UI, go to the path: **Account > Basic** page to fill in account information. **(Please refer to administrator guide for more information.)**
3. Configure Push Button: On web UI, go to the path: **Intercom > Basic > Push Button** to configure the call number.
4. Configure DTMF Code: On web UI, go to the path: **Access Control > Relay** and choose the DTMF code number in corresponding area.

Operation

Make a call:

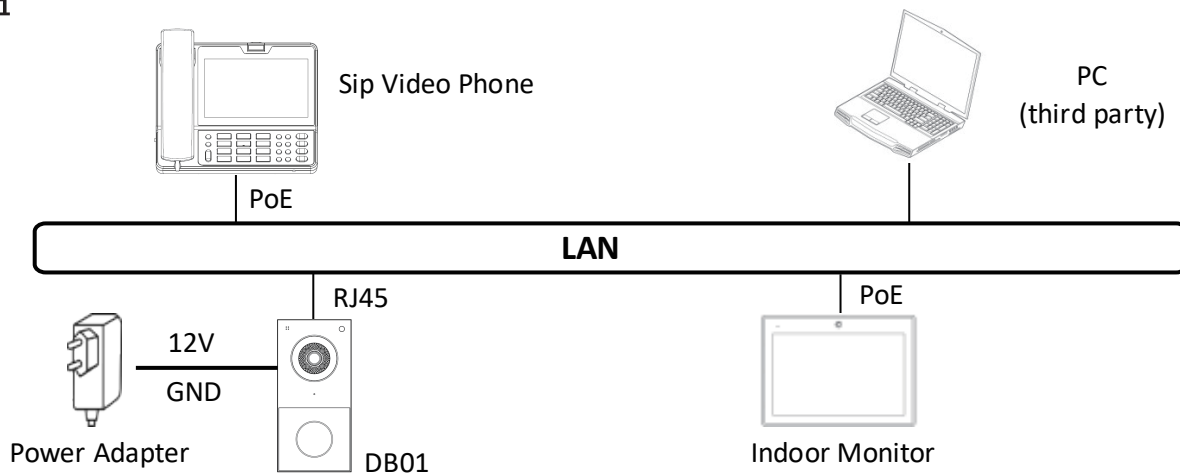
1. Press the **Call Button** to call indoor SIP Phone.
2. During the talk, called party can press pre-configured code number to unlock the door.

Receive a call:

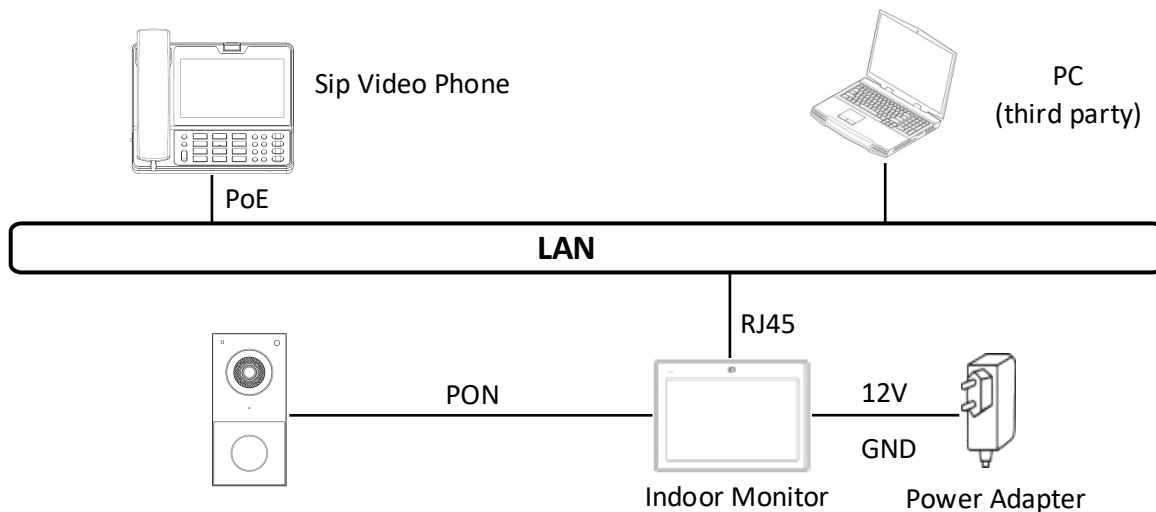
DB01 supports Auto Answer by default. Incoming call from indoor device will be answered automatically.

Application Network Topology

Topology-1



Topology-2



Indicators

LED Light Status	Description
A solid blue light	Normal status
A blinking blue light	Calling out
	Receiving a call
A blinking red light	Offline
Purple Light Always On	During a call
An alternately flashing red and blue light	Emergency alarm

Note: The default status of the LED light is as follows. If you want to make any modifications, please access the DB01 web UI and navigate to **Device > LED Setting**.

Notice Information

Information contained in this document is believed to be accurate and reliable at the time of printing. This document is subject to change without notice, any update to this document can be viewed on Akuvox's website: <http://www.akuvox.com> © Copyright 2023 Akuvox Ltd. All rights reserved.

AKUVOX (XIAMEN) NETWORKS CO., LTD.

Add.: 10/F, NO.56 GUANRI ROAD, SOFTWARE PARK II, XIAMEN 361009, CHINA

www.akuvox.com

