

General Information

Speed-up and Splitter Gearboxes

They are used for installing hydraulic pumps on the farm tractor power take-off.

Max. output speed of the power take-off is 540 n/min. which can be modified to the proper running speed of the hydraulic pump.

Different input speed can also be suitable, provided that the output speed is not higher than 3000 n/min.

GEARBOX:

Made in shell-cast aluminium or cast iron with high mechanical resistance.

GEARS:

In compliance with ISO - DIN 3990-88 standard.

Made in treated steel UNI 18 PCR Mo 3 with properly shaved teeth.

Stub teeth guarantee high resistance and low noise.

SHAFT:

Made in treated steel UNI 16 Cr Ni 4 and key coupled with gears.

They are coupled with gears via splined parts and are thus more suitable to transmit the torque stated in the catalogue.

TORQUE:

The torque mentioned in the technical charts refer to continuous duty.

For intermittent duty the torque may be higher by 20%.

LUBRICATION:

We recommend use oil SAE 90 to ensure proper running and long life of the unit.

Check the oil level via the level gauge every 1500 hours.

Carry out first oil change after 60-80 working hours.

WORKING TEMPERATURE:

The working temperature should not exceed 120°C under continuous duty.

HYDRAULIC PUMP INSTALLATION:

The installation of the hydraulic pumps on the gearboxes require a coupling sleeve and adapter flange according to the specific requirements.

When ordering please specify pump flange and shaft type.

Please contact our Tech. Dpt. for special components with operating features different from those stated in this catalogue.

General Information

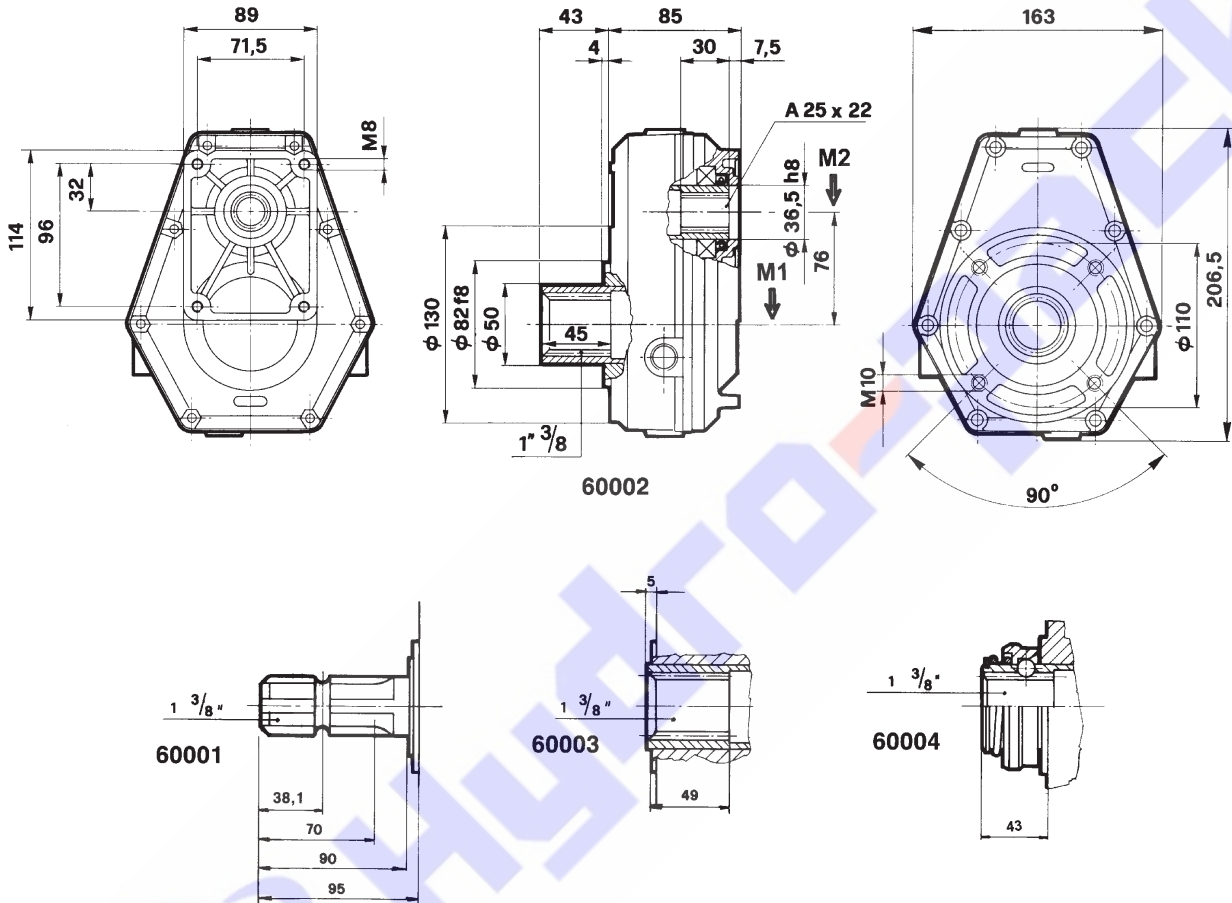
Speed-up and Splitter Gearboxes

Product Overview

	Gearbox Series	Power kW	Pump Group	Housing
Speed-Up	60000	10	Gr. 2	Aluminium
	70000 Standard	20	Gr. 3	Aluminium
	70000 Through Shaft	20	Gr. 3	Aluminium
	71000	20	Gr. 3	Aluminium
	80000	36	Gr. 3,5	Aluminium
	70012	37	Gr. 3	Cast Iron
	72000 Standard	37	ISO PTO	Cast Iron
	72000 Trough Shaft	37	ISO PTO	Cast Iron
	92000 (MTL 3,5)	40	Gr. 3,5	Aluminium
	97601	68	SAE A - B	Cast Iron
	97701	68	Gr. 2 - 3	Cast Iron
	93000	70	Gr. 4	Cast Iron
Splitter	85000	36	Gr. 2 - 3	Aluminium
	90000	45	Gr. 3 - 3,5	Aluminium
	91000	74	Gr. 4	Aluminium

Speed-up Gearboxes Series 60000 10 kW - Aluminium - Outlet pump flange Gr. 2

INSTALLATION DRAWING



Housing oil capacity: lt. 0,220

INPUT TORQUE M 1 daNm	OUTPUT TORQUE M 2 daNm	INPUT SPEED N 1 n/min.	OUTPUT SPEED N 2 n/min.	RATIO N 2 / N 1	POWER kW	MASS kg
17,8	11,9	540	810	1,5	10	5,5
15,2	7,6	540	1080	2	10	5,5
16,5	6,6	540	1350	2,5	10	5,5
18	5,5	540	1680	3	10	5,5
18,6	5,8	540	1836	3,5	10	5,5
15,9	4,2	540	2052	3,8	10	5,5

Speed-up Gearboxes Series 60000

10 kW - Aluminium - Outlet pump flange Gr. 2

ORDER CODE

6000

1

-

1

-

-

Speed-Up Gearbox Series 60000
Outlet pump flange Gr. 2

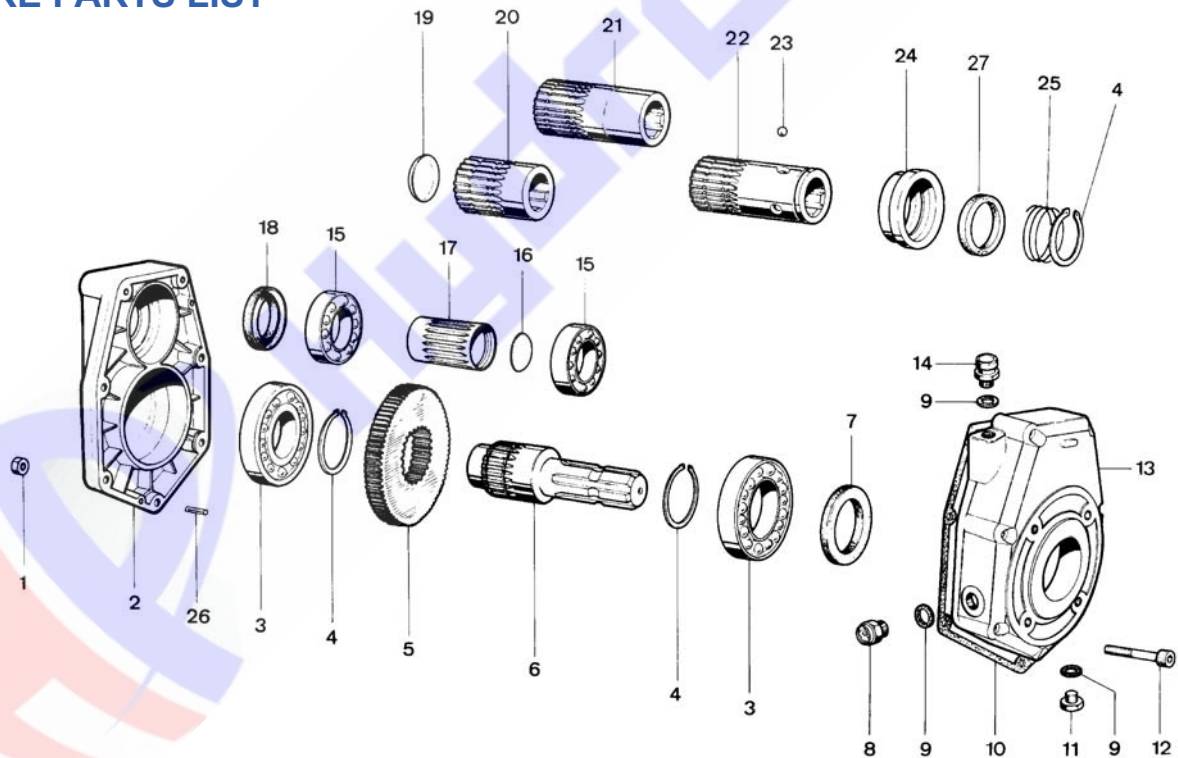
Inlet shaft
1 - Male shaft ASAE 1-3/8"
2 - Long Female shaft ASAE 1-3/8"
3 - Short Female shaft ASAE 1-3/8"
4 - Quick Coupling Female shaft ASAE 1-3/8"

Gear Ratio N2 / N1
Code - Ratio Shaft 1 2 3 4
1 - 1,5 x x x x
2 - 2 x x x x
3 - 2,5 x x x x
4 - 3 x x x x
5 - 3,5 x x x x
6 - 3,8 x x x x
blank - not available x - Available

Flanges: see page ...

Special versions

SPARE PARTS LIST



REF.	DESCRIPTION	Q.ty
1	Nut M6	8
2	Cover	1
3	Bearing type 6010	2
4	Snap ring dia. 50	3
5	Ring gear	1
6	Male P.T.O. shaft 1" 3/8	1
7	Sealing ring Ø 50x65x8	1
8	Oil level plug 3/8"	1
9	Gasket	3
10	Gasket	1

REF.	DESCRIPTION	Q.ty
11	Oil drain plug 3/8"	1
12	Socket capscrew M6x50	8
13	Housing	1
14	Oil breather plug 3/8"	1
15	Bearing type 6007	2
16	Cap DIN 470 Ø 27	1
17	Pinion Gear	1
18	Sealing ring Ø 35x52x7	1
19	Cap DIN 470 Ø 40	1

REF.	DESCRIPTION	Q.ty
20	Female P.T.O. shaft 1" 3/8 short	1
21	Female P.T.O. shaft 1" 3/8 long	1
22	Female P.T.O. shaft 1" 3/8 quick coupling	1
23	Ball	3
24	Spring ring	1
25	Spring	1
26	Peg 5x16	2
27	Ring	1