

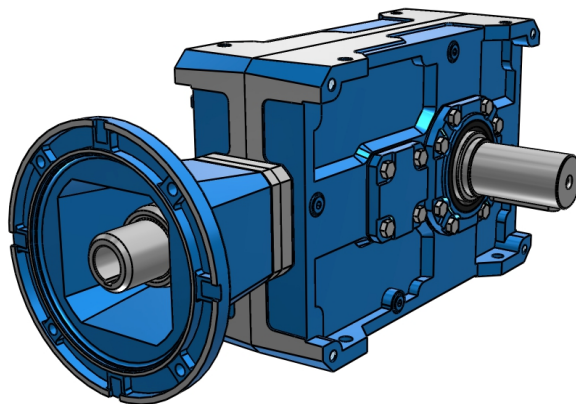


**PRODUCT DESCRIPTION:**  
- Bevel helical gearbox

**PRODUCT CODE:**  
T\_F\_180\_B\_63\_300-38\_O\_B6\_AL70SL

**3D VIEW:**

**2D VIEW:**



**Mounting position** B6

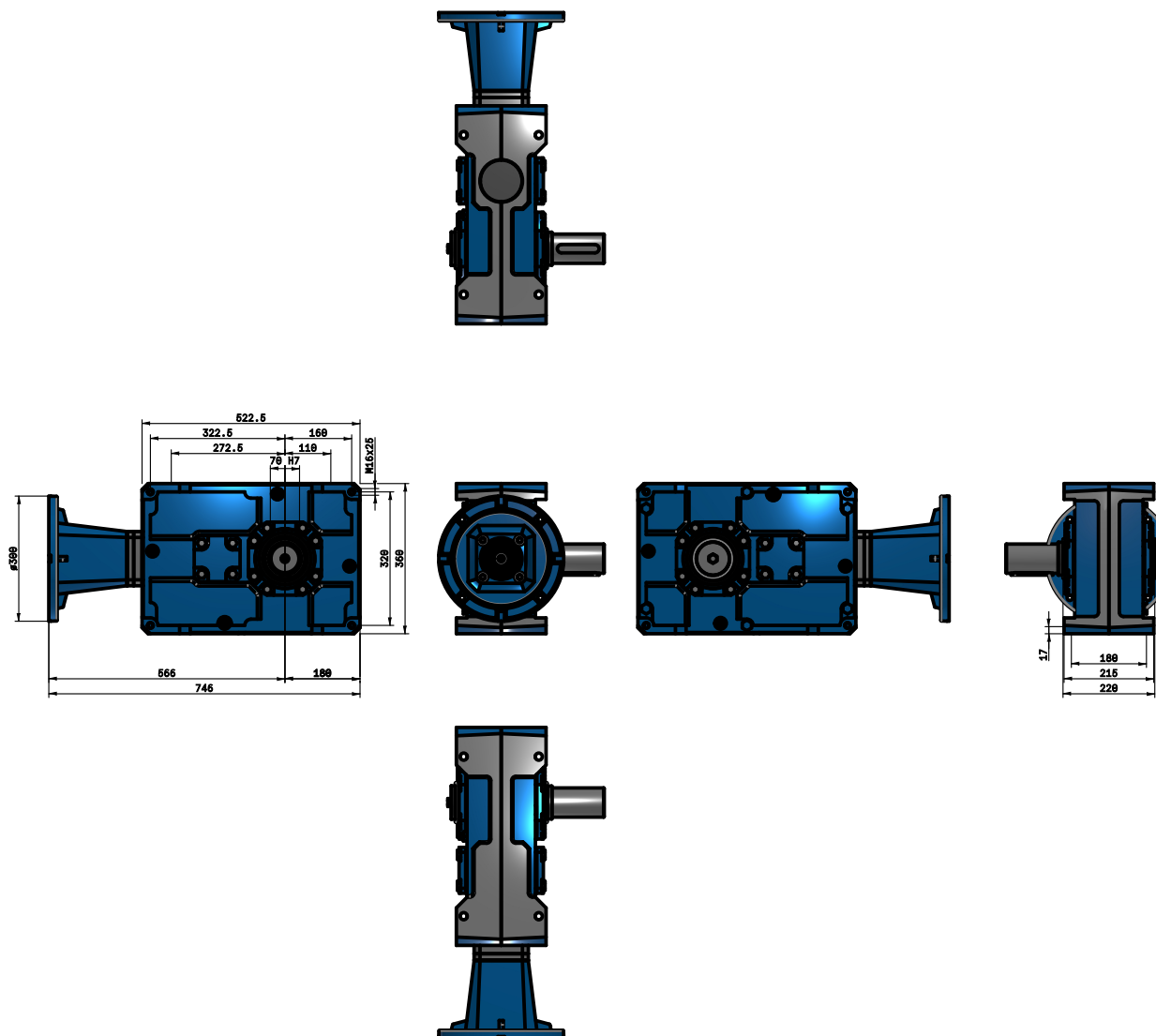


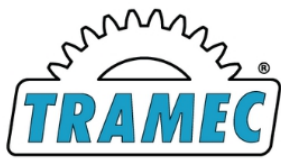
PRODUCT DESCRIPTION:

- Bevel helical gearbox

PRODUCT CODE:

T\_F\_180\_B\_63\_300-38\_O\_B6\_AL70SL





**PRODUCT DESCRIPTION:**  
- Bevel helical gearbox

**PRODUCT CODE:**  
T\_F\_180\_B\_63\_300-38\_O\_B6\_AL70SL

**DATA TABLE:**

|                                                                         |                                                     |
|-------------------------------------------------------------------------|-----------------------------------------------------|
| <b>Gearbox</b>                                                          | T                                                   |
| <b>Input type</b>                                                       | F                                                   |
| <b>Size</b>                                                             | 180                                                 |
| <b>Gearing</b>                                                          | B                                                   |
| <b>Ratio</b>                                                            | 63                                                  |
| <b>Motor coupling</b>                                                   | 132B5 (300-38)                                      |
| <b>Hollow output shaft</b>                                              | H70 (Standard)                                      |
| <b>Additional input</b>                                                 | No                                                  |
| <b>Second input</b>                                                     | -                                                   |
| <b>Execution</b>                                                        | O                                                   |
| <b>Mounting position</b>                                                | B6                                                  |
| <b>Lubricant quantity [l]</b>                                           | 9.7                                                 |
| <b>Output flange</b>                                                    | No                                                  |
| <b>Back-stop device code</b>                                            | No                                                  |
| <b>Shrink disc</b>                                                      | -                                                   |
| <b>Output shaft standard</b>                                            | Single left D70                                     |
| <b>Output shaft standard code</b>                                       | 2140156001                                          |
| <b>Torque arm</b>                                                       | No                                                  |
| <b>Torque arm code</b>                                                  | -                                                   |
| <b>Input speed [rpm]</b>                                                | 1400                                                |
| <b>Output speed [rpm]</b>                                               | 23                                                  |
| <b>Rated torque value [Nm]</b>                                          | 4780                                                |
| <b>Input power [kW]</b>                                                 | 12.3                                                |
| <b>Thermal power [kW]</b>                                               | 10.7                                                |
| <b>Efficiency</b>                                                       | 0.95                                                |
| <b>Moments of inertia (referred to input shaft) [Kg*cm<sup>2</sup>]</b> | 11.8                                                |
| <b>Weight [kg]</b>                                                      | 136                                                 |
| <b>Link al catalogo PDF</b>                                             | <a href="#">Click here for the complete catalog</a> |