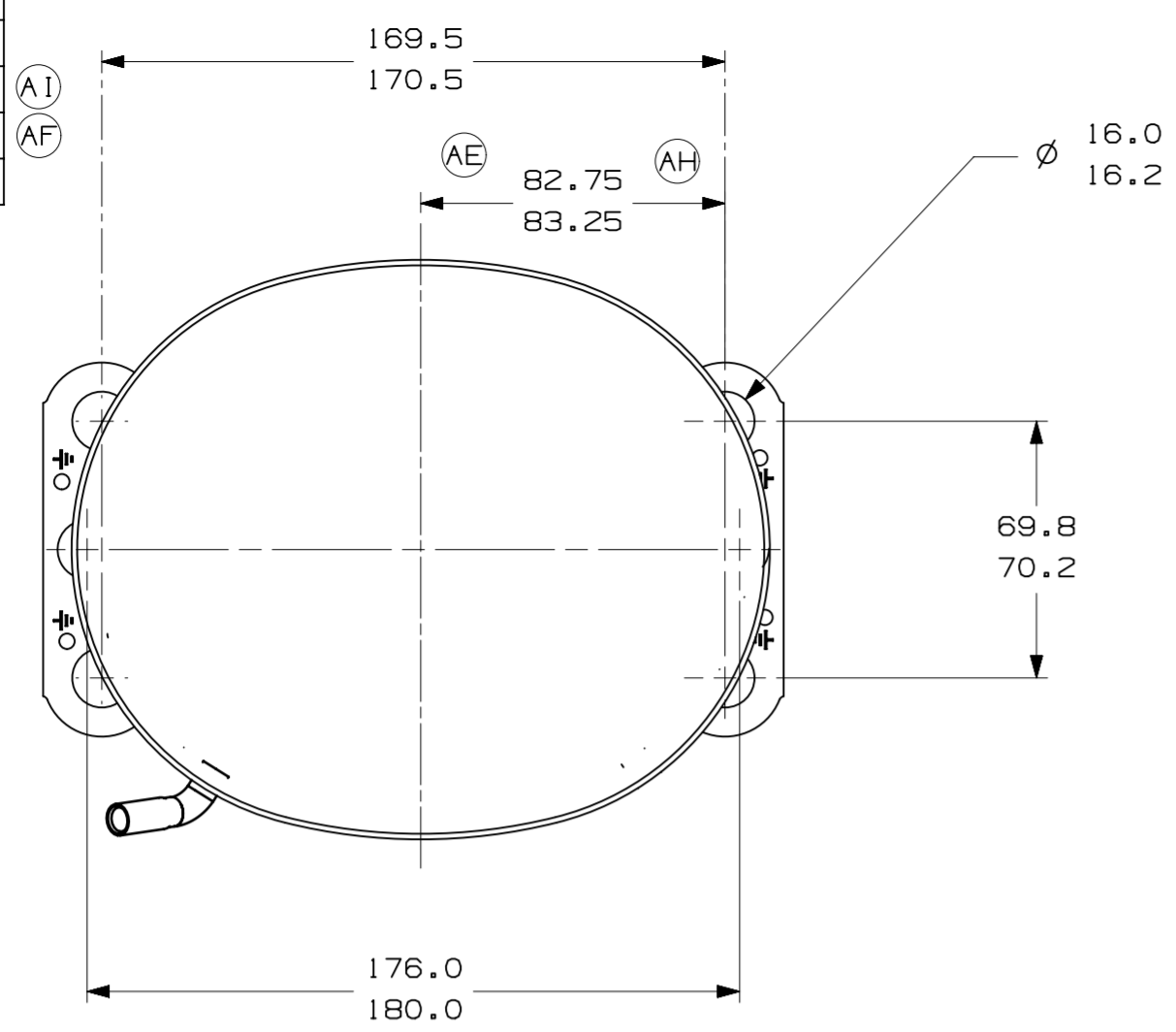
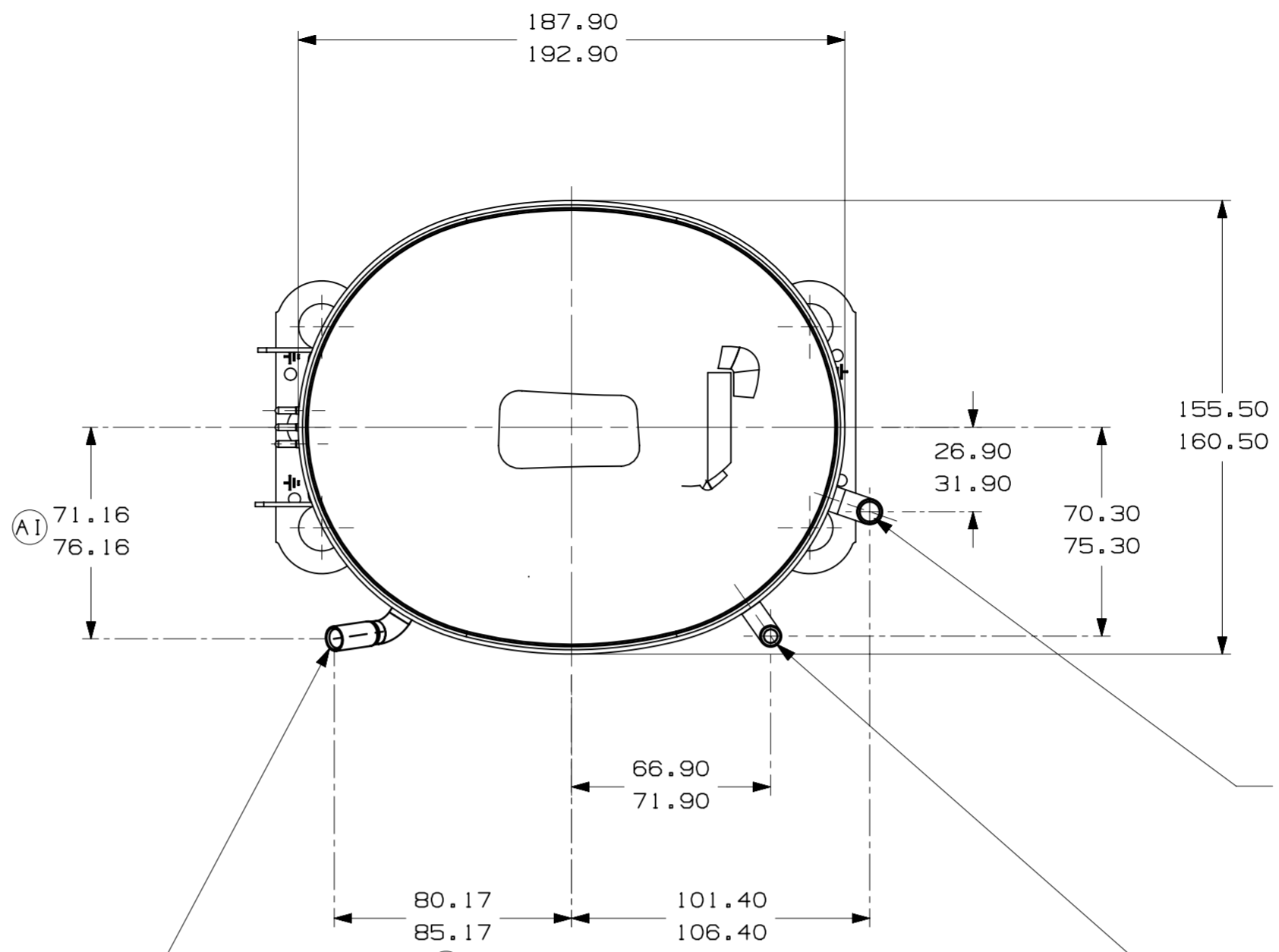


ITEM	PART NUMBER
A	320-10117
B	14963285
C	14947663
D	580-10246
E	14963570



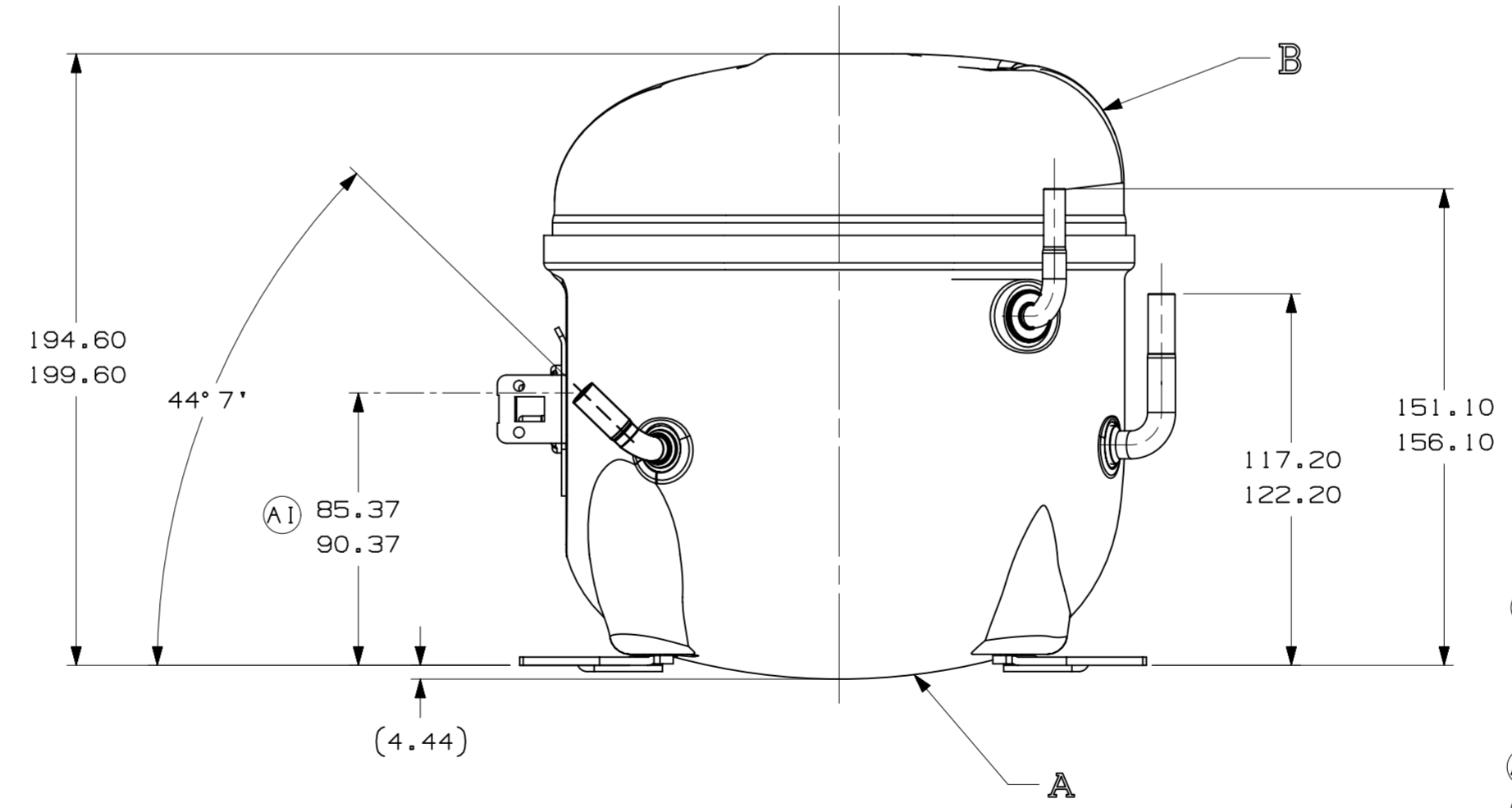
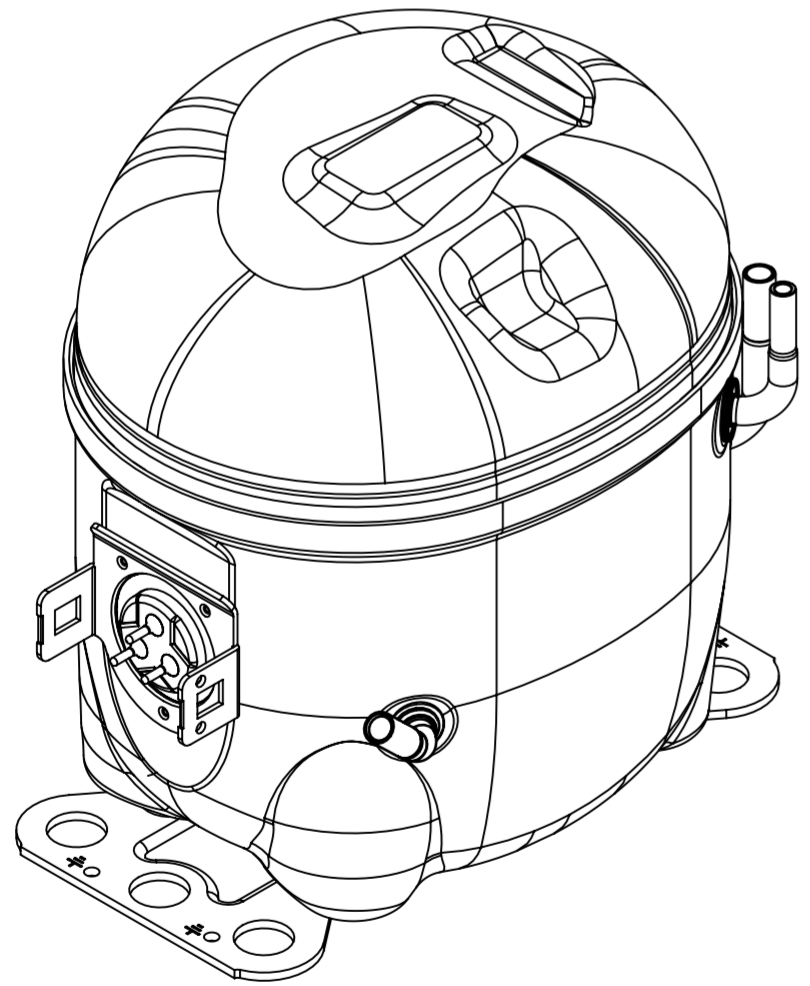
- AUXILIARY VIEW -
FASTENING DIMENSIONS



E - (COPPER) SUCTION TUBE
GAGE I.D. TO 6.45-6.55
× 15.00-17.00 DEEP.

D - (COPPER) DISCHARGE TUBE
GAGE I.D. TO 4.92-5.02
× 15.00-17.00 DEEP.

C - (COPPER) PROCESS TUBE
GAGE I.D. TO 6.45-6.55
× 15.00-17.00 DEEP.



- NOTES:
- 1- IF SPECIFIED IN BM. ASSEMBLE PARTS AS SHOWN.
 - 2- SEE SPEC. "A-B" & A-C FOR PROCESS.
 - 3- THERE CAN BE NO CREASES IN THE TUBES. (CREASES ARE SIGNS OR MARKS THAT ARE IN SOMETHING THAT BENDS)
 - 4- AFTER THE FOLDS IN THE TUBES, CANNOT BE ACCELERATED TO AREA EXCEEDING 30%.
 - 5- TUBES OF SUCTION, DISCHARGE AND PROCESS MUST BE FREE OF INK ON 15.8mm (5/8") FROM TOP OF THE TUBES AS SPEC. T.P.Co. A-B4.
 - 6- FOR SUPPLIER ENVIRONMENTAL REGULATORY REQUIREMENTS, SEE TECUMSEH GLOBAL SPEC. 08.

LT	LC	CHANGE	DATE
B5	ERA	91.60-96.60	EC102387 02-05-22 R6.
D4	ERA	86.40-91.40	EC80775 14-02-19 R6.
E5	ERA	72.10-77.10	EC70368 06-08-18 R6.
F8	ERA	14963573	EC58887 03-03-15 R6.
A/2	ALTERADA	MEDIA (AREA	EC46188 01-01-14 R6.
F/6	E	ACRESC.	EC52840 AMP. MF 13-09-13
AG	RETIRADO	DETALHE (AREA	EC44036 08/06/12 R5. A.M
AF	F/8	ALTERADO	EC41721 07/11/11 J.B / W.C
AE	F/7	ALTERADA	EC38871 15/08/11 J.B / A.M
AD	A/2	ADICIONADO	DATE
		NOTA	THIS DRAWING OR PRINT (1) IS THE PROPERTY OF TECUMSEH DO BRASIL LTDA. AND CONTAINS PROPRIETARY AND CONFIDENTIAL INFORMATION BELONGING TO TECUMSEH DO BRASIL. IT IS TO BE USED ONLY FOR THE SPECIFIC PURPOSE FOR WHICH IT WAS ISSUED. IT IS NOT TO BE REPRODUCED, COPIED, EITHER IN WHOLE OR IN PART, OR TRANSMITTED IN ANY FORM OR BY ANY MEANS, WITHOUT THE WRITTEN CONSENT OF TECUMSEH DO BRASIL AND WITHOUT THE WRITTEN CONSENT OF THE SUPPLIER. ANY VIOLATION OF THIS NOTICE SHALL BE CAUSE FOR IMMEDIATE ACTION BY TECUMSEH DO BRASIL AND NOT OTHERWISE. (1/1) SHALL NOT BE COPIED OR TO ANY EXTENT WITH- OUT THE WRITTEN CONSENT AND (1/1) SHALL BE RETURNED BY THE RECIPIENT LATTER'S REQUEST PROMPTLY AFTER SUCH REQUEST IS MADE.
		REVISADA	THIRD ANGLE PROJECTION
		ACRESCENTADA	UNITS: mm
		ALTERADO NOME	DRAWING SIZE: A2
		LIBERACAO	0. A SYMBOLS AS PROCEDURE 2.01.031 TECUMSEH OF BRAZIL
			★ = CATEGORY I
			▲ = CATEGORY III
			■ = CATEGORY IIII
			□ = CATEGORY IV

NAME: SALES COMPRESSOR

PART NO.: DCAE132

SCALE: 1:2

PAGE: 1/1

DATE: 09/06/11

FAMILY: AE2