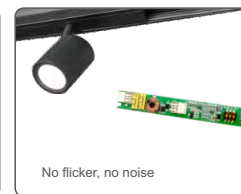


DALI Constant Current LED Driver

- Support DALI-2 dimming mode
- In accordance with DALI standard protocol IEC 62386-102, IEC 62386-207 and in compliance with DALI products from other international incorporation
- PWM digital dimming, standard DALI logarithmic dimming curve
- DALI address will be automatically assigned by DALI master, 1 DALI address
- No input polarity
- DC to DC constant current output, multiple output current settings
- Suitable for STUCCHI standard housings, magnetic installation
- Smooth dimming without flicker, quiet without noise
- Short circuit, overload, no-load and anti-reverse protection
- 5-year warranty



Technical Parameters

Model		CXD-21A	CXD-28A
Output	Output Voltage	10~40VDC	
	Output Current	150-500mA	350-700mA
	Output Power	1.5W- 20W	3.5W- 28W
	Current Accuracy	±5%	
	Dimming Range	0~100%, dimming depth:0.1%	
	Channel num	1	
Input	Dimming mode	DALI	
	Dimming Voltage Range	9.5-22.5V, typical 16V, interface current consumption: 1.8mA	
	Input Voltage	48VDC±1% (No polarity)	
	Input Current	Max. 0.47A	Max. 0.65A
	Efficiency (Typ)	93%	95%
	Standby Power	<0.5W	
Environment	Working Temperature	-20~50°C	
	Storage Temp	-40~80°C	
	Working Humidity	20~95%RH, non-condensing	
Protection	Overload	When load voltage exceed its range, the current declines, auto recovers when the load is reduced.	
	Short circuit protection	Output short-circuit, LED indicator flash fastly, intermittent shutdown LED output, a long time short-circuit, the system will completely shut down the LED output, need to be re-powered to activation	
	Open circuit protection	Output open circuit, LED indicator flash slowly, intermittent shutdown LED output, troubleshooting, LED back to normal lighting	
	Reverse connection	Prevent dirver and load damage	
Other	Size	L125xW9.5xH7.5mm	
	Weight	11g±2g	

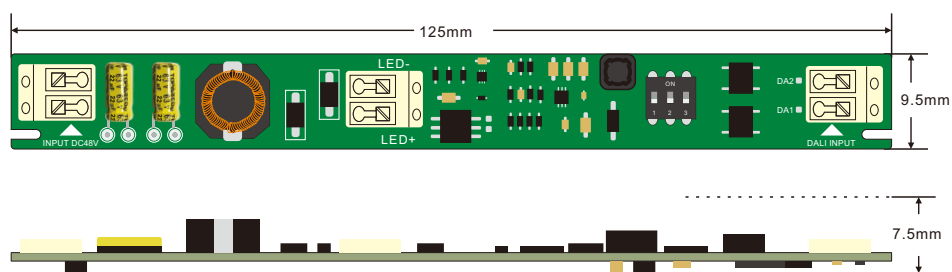
LED Current Selection



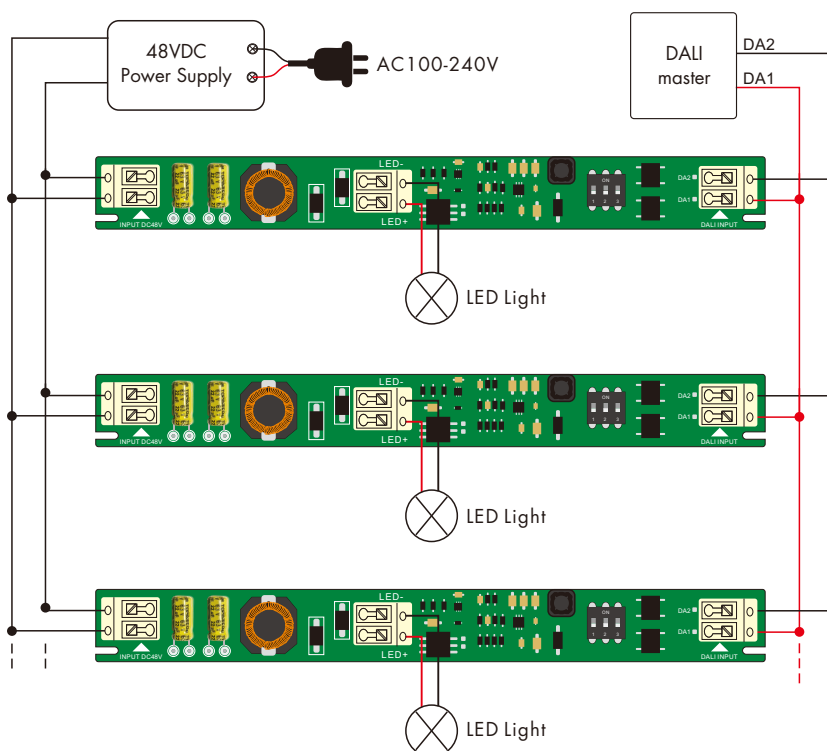
Note: Please select the correct current through the DIP switch on the PCB board when the power is off.

DIP Switch		<input type="checkbox"/>	<input type="checkbox"/>	<input type="checkbox"/>	<input type="checkbox"/>	<input type="checkbox"/>	<input type="checkbox"/>	<input type="checkbox"/>	<input type="checkbox"/>	<input type="checkbox"/>	<input type="checkbox"/>
CXD-21A	Output Current	150mA	200mA	250mA	300mA	350mA	400mA	450mA	500mA	ON	OFF
	Output Voltage	10-36V	10-36V	10-36V	10-36V	10-36V	10-36V	10-38V	10-40V		
	Output Power	1.5-5.4W	2-7.2W	2.5-9W	3-10.8W	3.5-12.6W	4-14.4W	4.5-17.1W	5-20W		

DIP Switch		<input type="checkbox"/>	<input type="checkbox"/>	<input type="checkbox"/>	<input type="checkbox"/>	<input type="checkbox"/>	<input type="checkbox"/>	<input type="checkbox"/>	<input type="checkbox"/>	<input type="checkbox"/>	<input type="checkbox"/>
CXD-28A	Output Current	350mA	400mA	450mA	500mA	550mA	600mA	650mA	700mA	ON	OFF
	Output Voltage	10-36V	10-36V	10-36V	10-36V	10-36V	10-38V	10-38V	10-40V		
	Output Power	3.5-12.6W	4-14.4W	4.5-16.2W	5-18W	5.5-19.8W	6-22.8W	6.5-24.7W	7-28W		



Wiring Diagram



DALI dimming mode

After installation according to the wiring diagram of DALI dimming application, the driver will automatically switch to the DALI control mode after receiving any DALI command.

Power-on level

When the driver is in DALI dimming mode, the factory default level after each power-on is the brightest. (The recommended setting for the default factory power-on level of the DALI-2 driver is the brightest in the DALI-2 standard.)

The power-on level can be set through the DALI configuration tool or DALI application controller during installation, and can be set to memory or fixed any brightness (such as off, darkest, 30%, 50% etc.).

The dimming curve can be selected by DALI configuration. The default is logarithmic dimming curve.

Malfunctions analysis & troubleshooting

Malfunctions	Causes	Troubleshooting
No light	1. No power. 2. Wrong connection or insecure	1. Check the power. 2. Check the connection.

Installation note

1. This product must be installed and adjusted by a qualified professional.
2. This product is non-waterproof, When installed outdoors, please ensure it is mounted in a water proof enclosure.
3. Before you power on the product, please make sure all the wiring is correct in case of incorrect connection that may cause a short circuit and damage the components, or trigger an accident.
4. If a fault occurs, please do not attempt to fix the product by yourself. If you have any questions, please contact us in time.