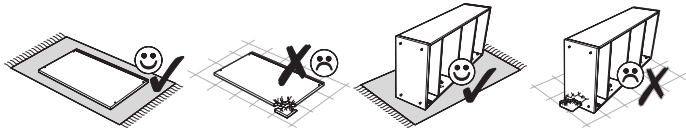
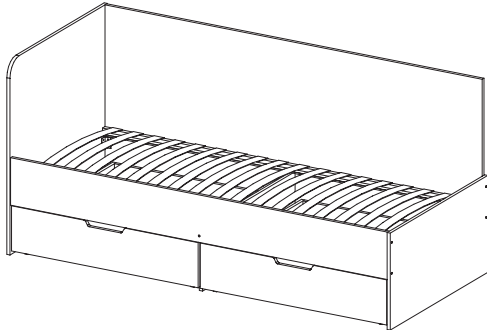


# BED

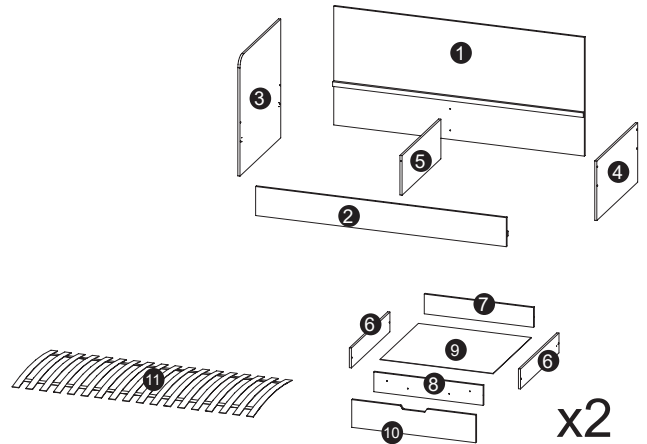


1

# BED

<b>B03</b>		<b>B1</b>		<b>D0</b>		3,0x15
	x19		x19		x50	
<b>D1</b>		<b>D2</b>		<b>R1</b>		
	3,5x16		3,5x30		x16	
	x80		x16			
<b>K1</b>		<b>Z</b>				
	x6		x1			

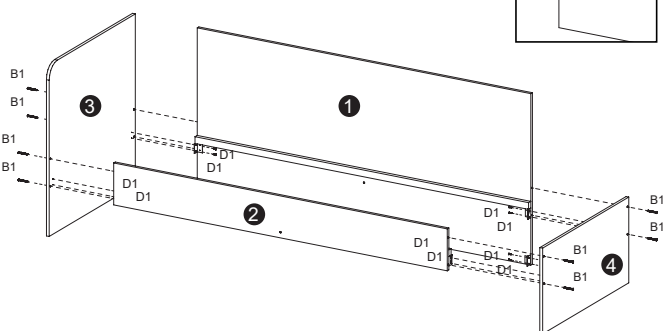
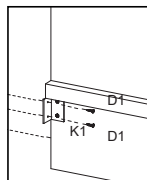
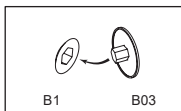
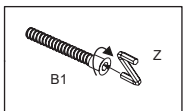
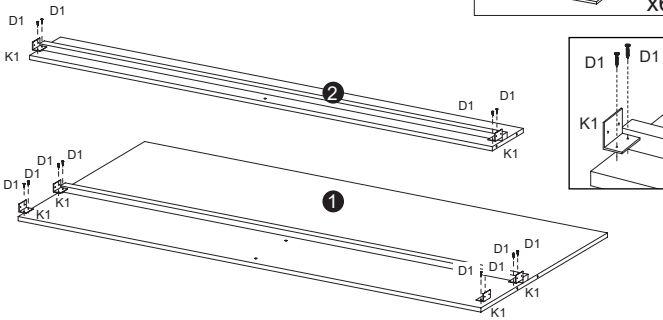
<b>1</b>	1900 x 900	1	<b>6</b>	900/800 150	4
<b>2</b>	1900 x 220	1	<b>7</b>	844 x 150	2
<b>3</b>	900 850/950	1	<b>8</b>	844 x 150	2
<b>4</b>	950/850 400	1	<b>9</b>	870 x 795	2
<b>5</b>	900/800 300	1	<b>10</b>	940 x 210	2



2

**1**

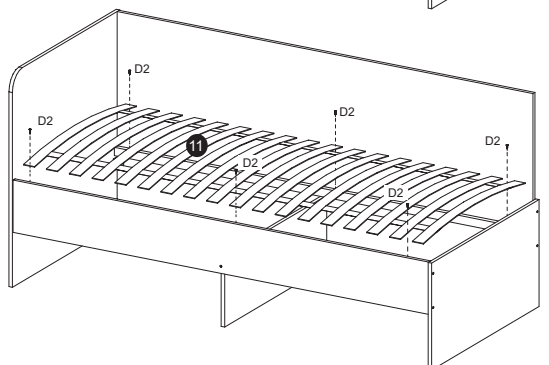
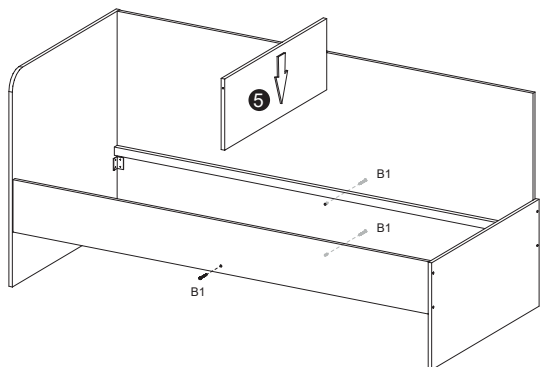
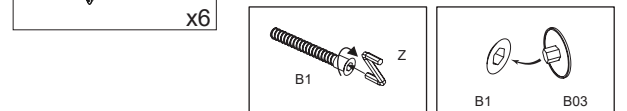
<b>B03</b>		<b>B1</b>		<b>D1</b>		3,5x16
	x8		x8		x24	
		<b>K1</b>				x6



3







**2**

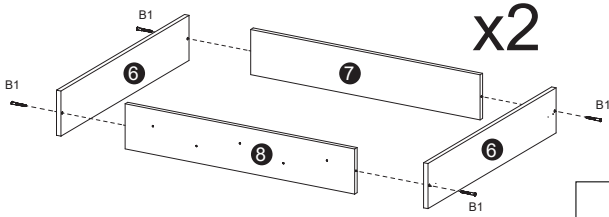
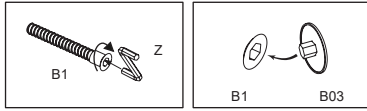
<b>B03</b>		<b>B1</b>		<b>Z</b>		
	x3		x3		x1	
<b>D2</b>						
	3,5x30					
	x6					



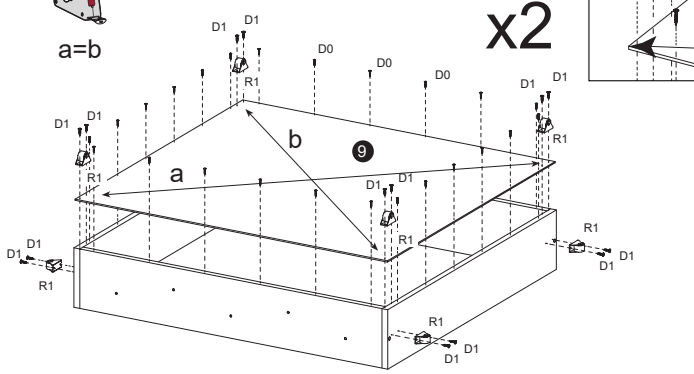
4

**3**

B03	B1	Z
		
x8	x8	x1
R1	D0	D1
		
x16	x50	x32




a=b

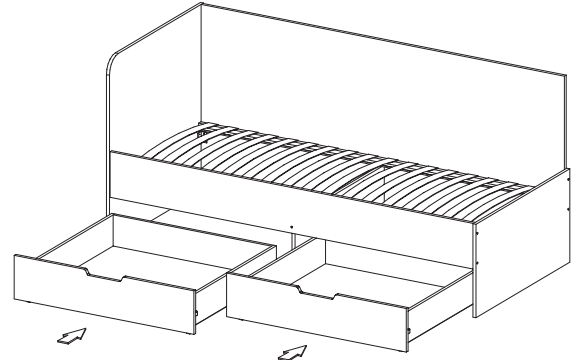
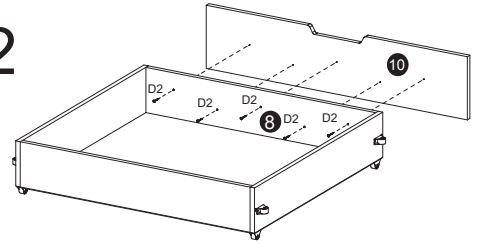


5

**4**

D2	3,5x30
	x10

x2



6