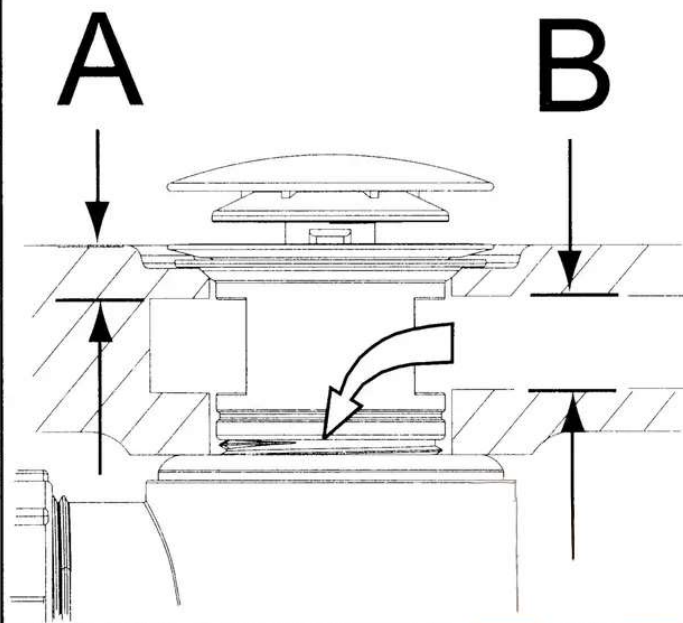


A

IMPORTANT

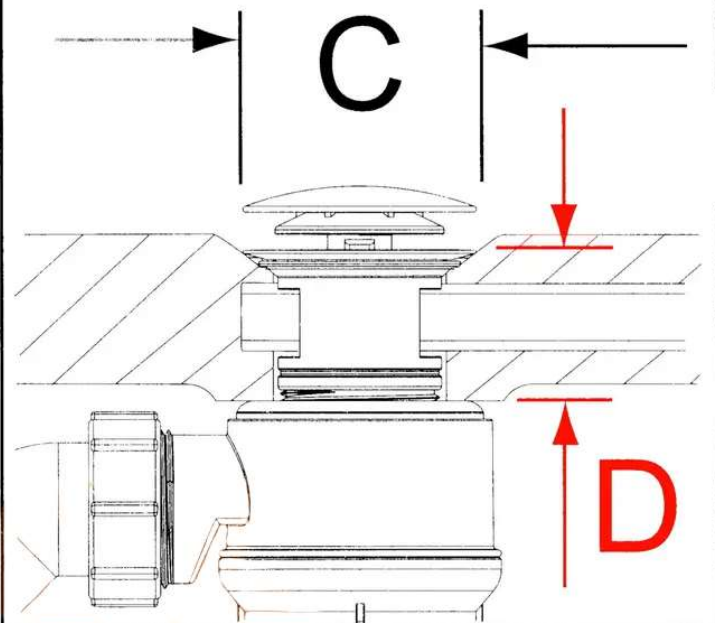
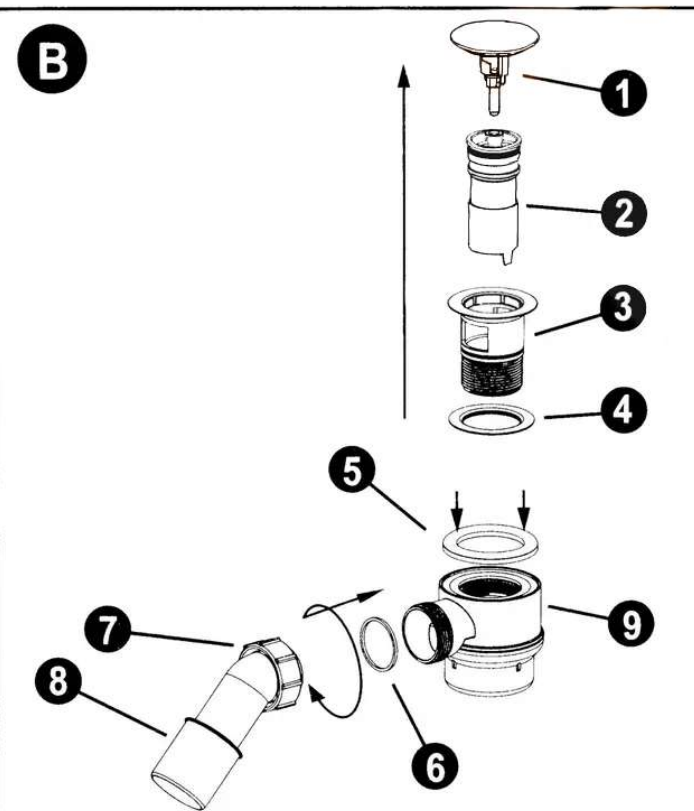
ENSURE OVERFLOW SLOT SIZES MATCH THE BATH INTERNAL OVERFLOW CHANNEL.

- A) FLANGE TOP TO OVERFLOW SLOT 12MM**
- B) OVERFLOW SLOT DEPTH 20MM**



ENSURE FLANGE CLAMP RANGE IS SUITABLE FOR THE BATH SECTION THICKNESS.

- C) FLANGE TOP DIAMETER 70MM**
- D) THREADED FLANGE CLAMP RANGE 30-45MM**

**B****C**