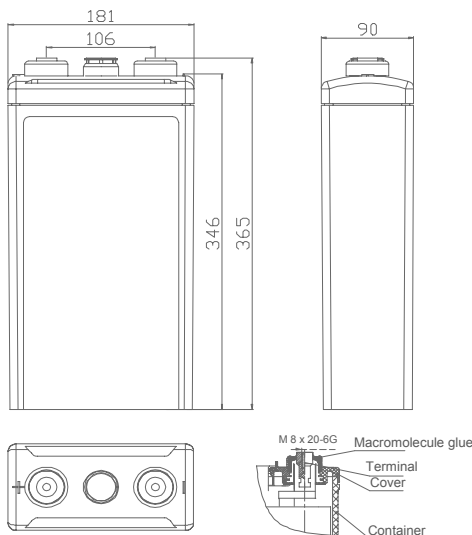




HIGH PERFORMANCE MR 2-200 Max

VALVE REGULATED LEAD ACID
2V FLAT PASTED PLATE
BATTERY



Innovative Features

- ☑ Valve Regulated Lead Acid (V.R.L.A.) design
- ☑ Fully tank formed plates
- ☑ Never needs addition of water
- ☑ Spill-proof and leak-proof
- ☑ Proprietary Fixed Orifice Plate Pasting technology applying active materials on both sides of the grid for consistent cell-to-cell performance, higher capacity and uniform grid protection.
- ☑ Operates at a low internal pressure
- ☑ For use in vertical or horizontal position
- ☑ Each cell has a low pressure safety release venting system
- ☑ Standard: Reinforced ABS (UL 94HB) container and cover.
Optional: Flame-retardant reinforced ABS container and cover compliant with U.L.94 V-0 with an Oxygen limiting Index of greater than 28%
- ☑ Nano-Carbon enhanced active material to maximize cycle performance and PSoC operation
- ☑ Low calcium Lead/Tin alloy plates for efficient gas recombination for long life in both cycling and float applications

Performance Specifications

Normal Voltage	2V
Capacity	200 Ah @ 10hr to 1.80V per cell @ 20°C (68°F)
Dimension	Length x Width x Height x Total Height: 90 x 181 x 346 x 365 (mm)
Weight	Approx. 13.7 kg (30.2 lbs)
Internal Resistance	Approx. 0.50 mΩ
Short Circuit Current	1620 A
Self Discharge @ 25°C (77°F)	No more than 3% after 30 days storage
Applicable Operating Temperature Range	-40°C~70°C (40°F~158°F)
Ideal Operating Temperature Range	20°C~30°C (68°F~86°F)
Maximum Charge Current	40 A
Charging Voltage @ 25°C (77°F)	Float: 2.23V, Temps coefficient -3 mV/°C Cycle: 2.30V
Contain Materials	ABS
Terminal Type	F-M8
Capacity Affected by Temperature	105% @ 40°C 85% @ 0°C 60% @ -20°C



Constant Current Discharge Characteristics - Watts Per Cell @ 20°C (68°F)

Final VPC	1.5hr	2hr	3hr	4hr	5hr	6hr	8hr	10hr	12hr	20hr	24hr
1.85	158	132	96.2	76.9	64.0	56.0	45.5	37.7	32.1	26	17.7
1.80	165	138	103	80.9	67.4	59.0	47.9	39.7	33.8	28	18.6
1.75	171	143	107	83.8	69.8	61.1	49.7	41.3	35.2	29	19.3

Constant Power Discharge Characteristics - Amperes Per Cell @ 20°C (68°F)

Final VPC	1.5hr	2hr	3hr	4hr	5hr	6hr	8hr	10hr	12hr	20hr	24hr
1.85	81.9	68.0	50.4	39.2	32.5	28.4	22.9	18.9	16.2	10.0	8.77
1.80	86.7	72.0	53.3	41.5	34.4	30.0	24.3	20.0	17.0	10.5	9.28
1.75	90.6	75.2	55.7	43.4	35.9	31.4	25.3	21.0	17.8	11.0	9.70

