

ARTICULO: 2406

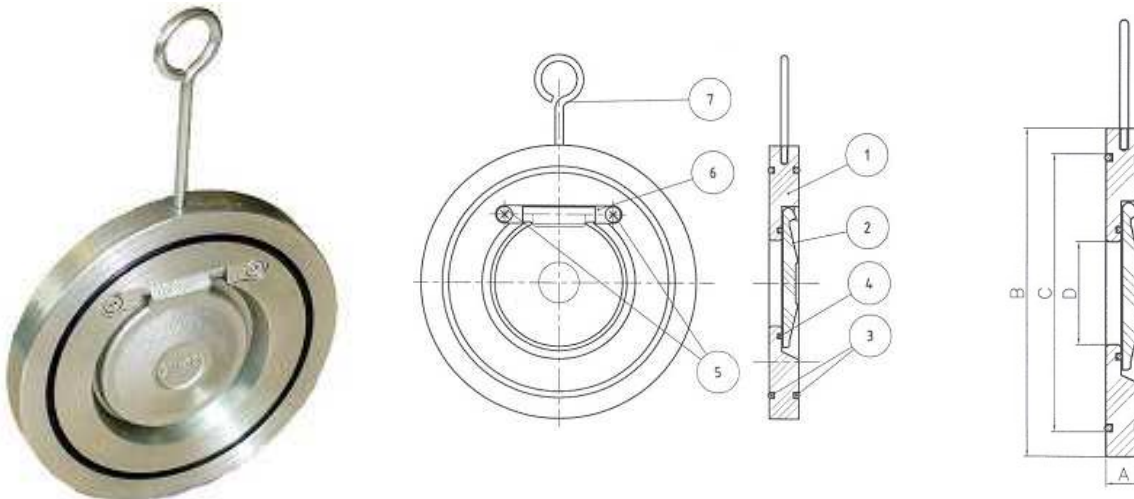
Válvula de Retención tipo wafer de simple disco. Check Valve (single disk) wafer type.

Características

1. Válvula de retención a disco tipo wafer.
2. Construcción en Acero Inoxidable AISI 316.
3. Juntas Externas de Vitón.
4. Asiento de Vitón.
5. Montaje entre bridas DIN PN-16.
6. Instalación Horizontal ó Vertical.
7. Presión de trabajo máxima 16 Kg / cm².
8. Temperatura de Trabajo máxima 180 °C.
9. Bajas perdidas de carga.

Features

1. Wafer check valve (single disk).
2. Made of Stainless Steel AISI 316.
3. External o'ring made by viton (FKM).
4. Disk o'ring made by viton (FKM).
5. Assembly between flanges DIN PN-16.
6. Installed with vertical or horizontal flow.
7. Max. Working pressure 16 Kg / cm².
8. Max. Working temperature 180 °C.
9. Low head losses.



| Nº | Denominación/Name | Material | Acabado Superficial/Surface Treatment |
|----|-------------------------------------|---------------------------------|---------------------------------------|
| 1 | Cuerpo / Body | Acero Inox AISI 316 / SS 316 | ----- |
| 2 | Disco / Disk | Acero Inox AISI 316 / SS 316 | ----- |
| 3 | Junta exterior / External O'ring | Viton | ----- |
| 4 | Junta disco / Disk O'ring | Viton | ----- |
| 5 | Tornillo eje / Axis screw | Acero Inox AISI 316 / SS 316 | ----- |
| 6 | Tope eje / Stem Stopper | Acero Inox AISI 316 / SS 316 | ----- |
| 7 | Gancho / Hook | Acero / Steel | Cincado / Zinc PLated |

DIMENSIONES GENERALES / GENERAL DIMENSIONS

| Ref | Medida/Size | PN | Dimensiones/Dimensions (mm) | | | | Peso/Weight (Kg) |
|---------|-------------|----|-----------------------------|-----|-----|-----|------------------|
| | | | A | B | C | D | |
| 2406 09 | 2 " | 16 | 14 | 109 | 101 | 32 | 0.855 |
| 2406 10 | 2 1/2 " | 16 | 14 | 129 | 113 | 40 | 1.180 |
| 2406 11 | 3 " | 16 | 14 | 144 | 124 | 54 | 1.480 |
| 2406 12 | 4 " | 16 | 18 | 164 | 148 | 70 | 2.500 |
| 2406 13 | 5 " | 16 | 18 | 195 | 179 | 92 | 3.200 |
| 2406 14 | 6 " | 16 | 20 | 220 | 198 | 112 | 4.400 |
| 2406 16 | 8 " | 16 | 22 | 275 | 248 | 154 | 7.150 |
| 2406 18 | 10 " | 16 | 26 | 332 | 312 | 200 | 11.950 |

CURVA PRESION TEMPERATURA / PRESSURE TEMPERATURE RATING

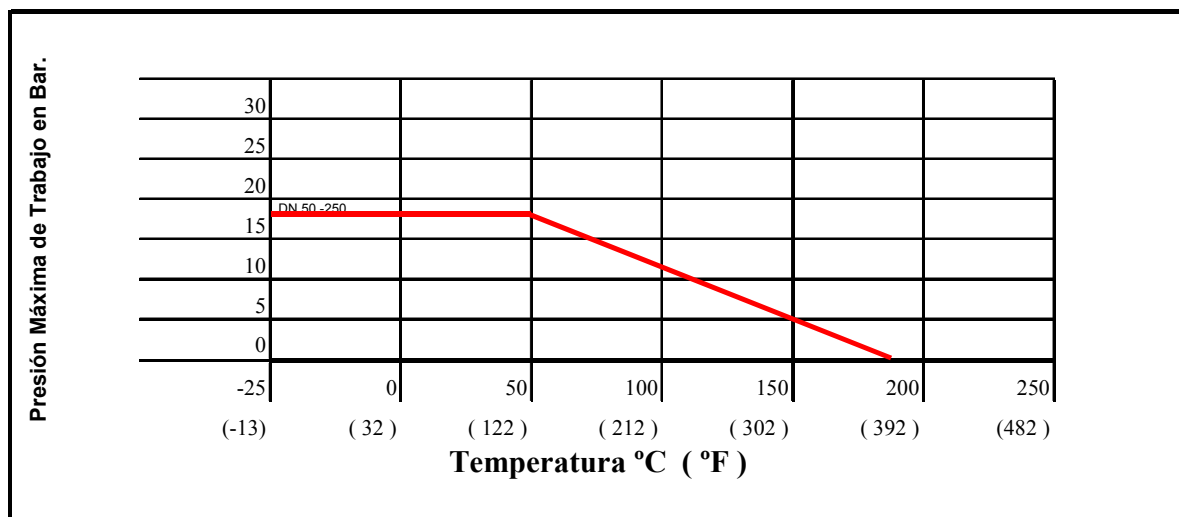


DIAGRAMA DE PERDIDAS DE CARGA / HEAD LOSSES DIAGRAM

(H₂O – 20 °C Flujo Horizontal / Horizontal flow).

