
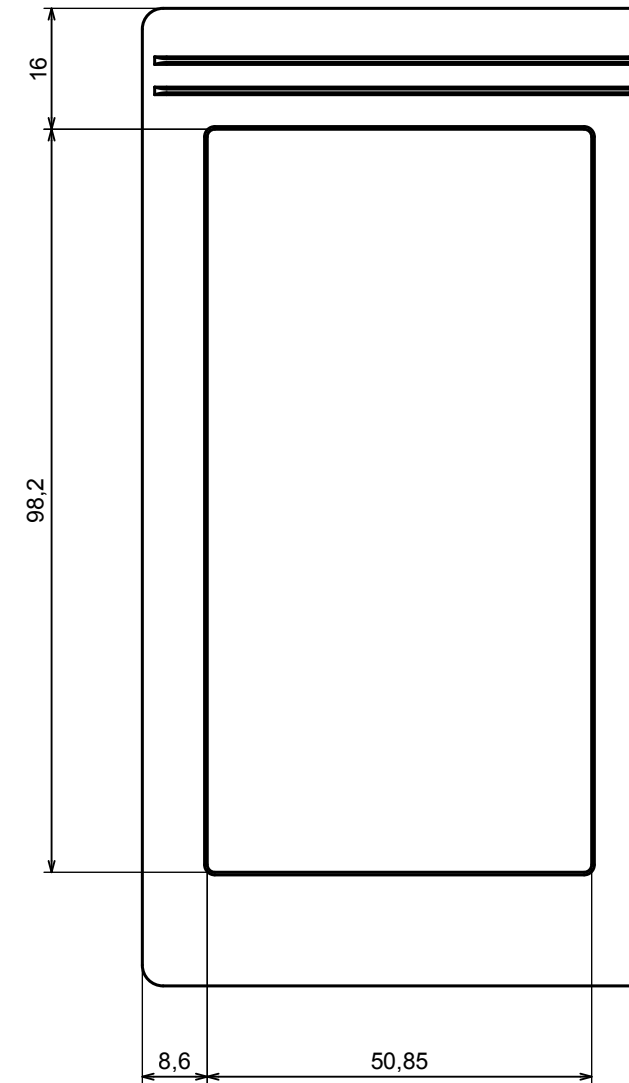
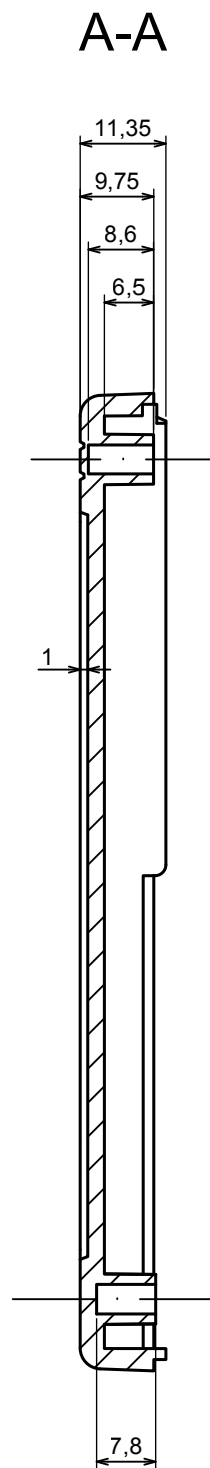
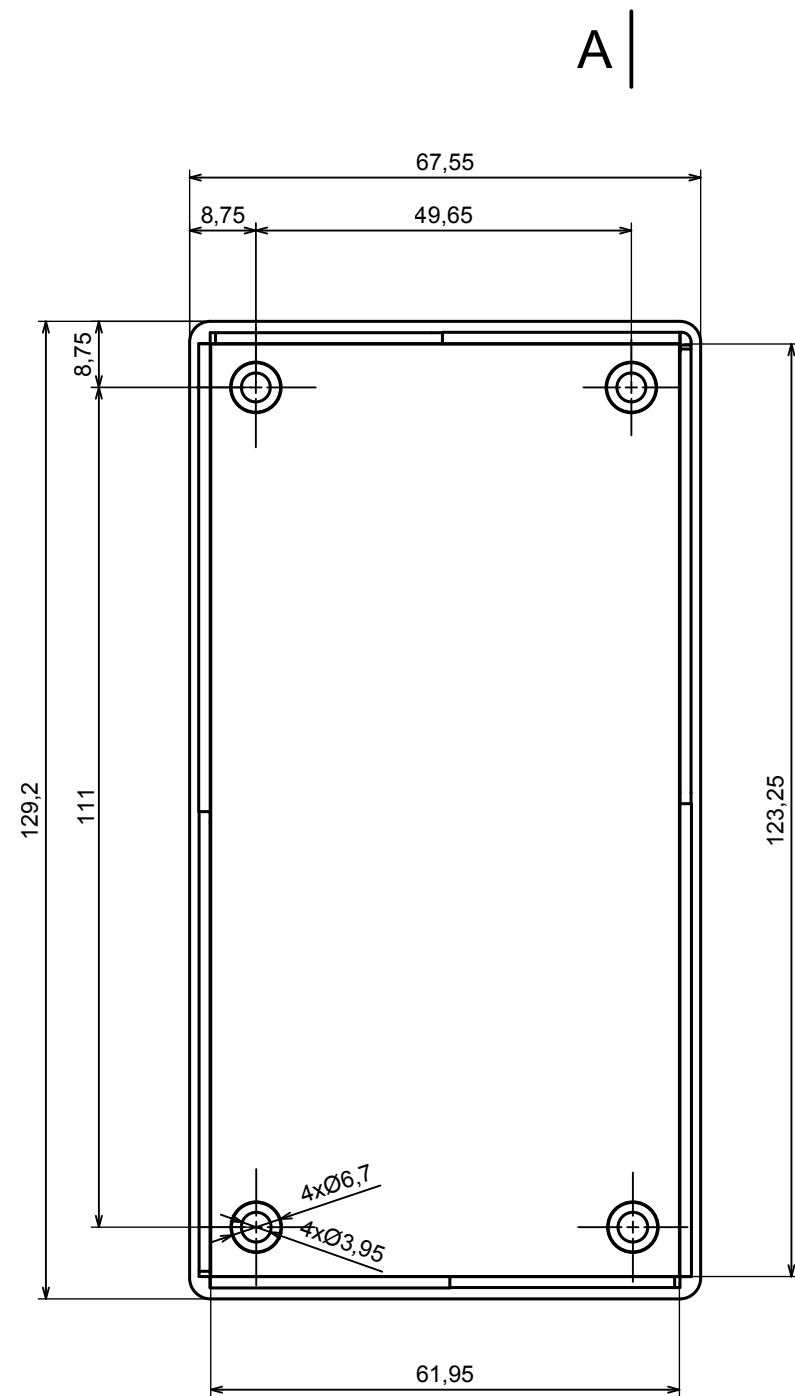

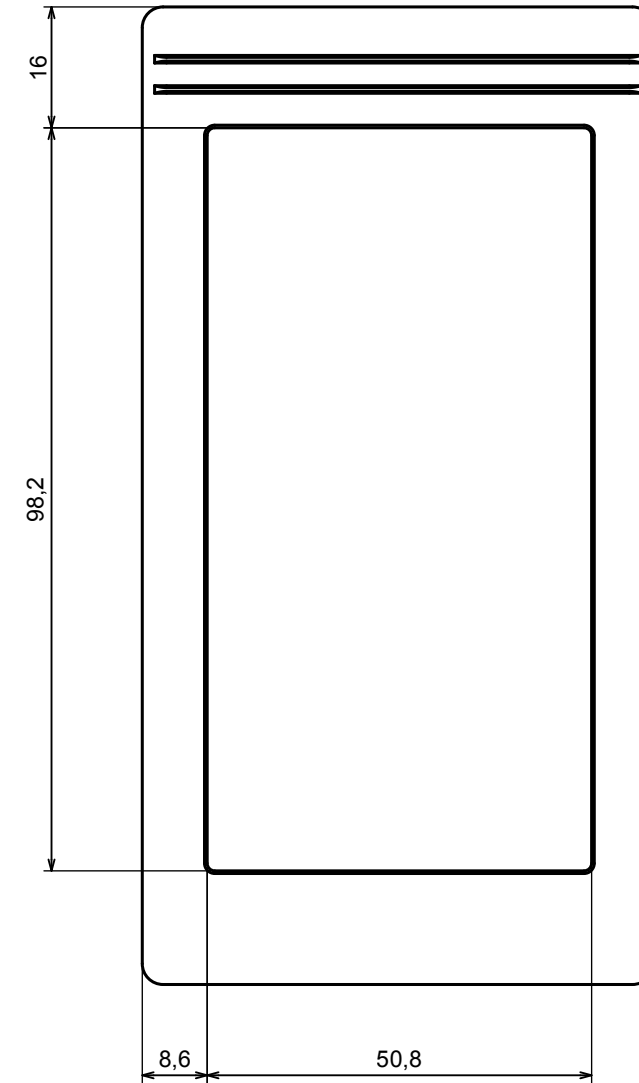
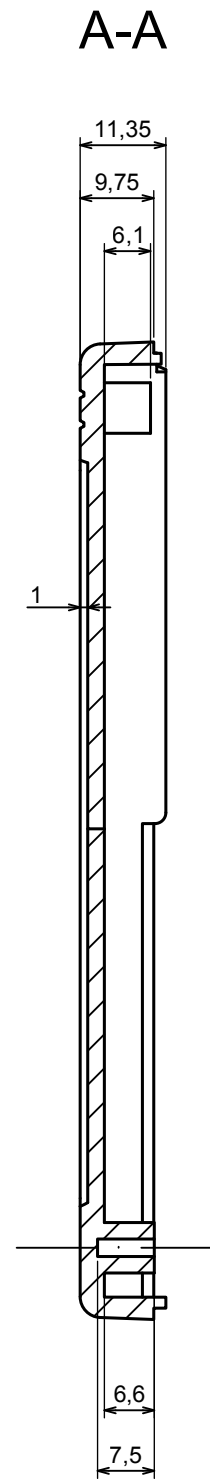
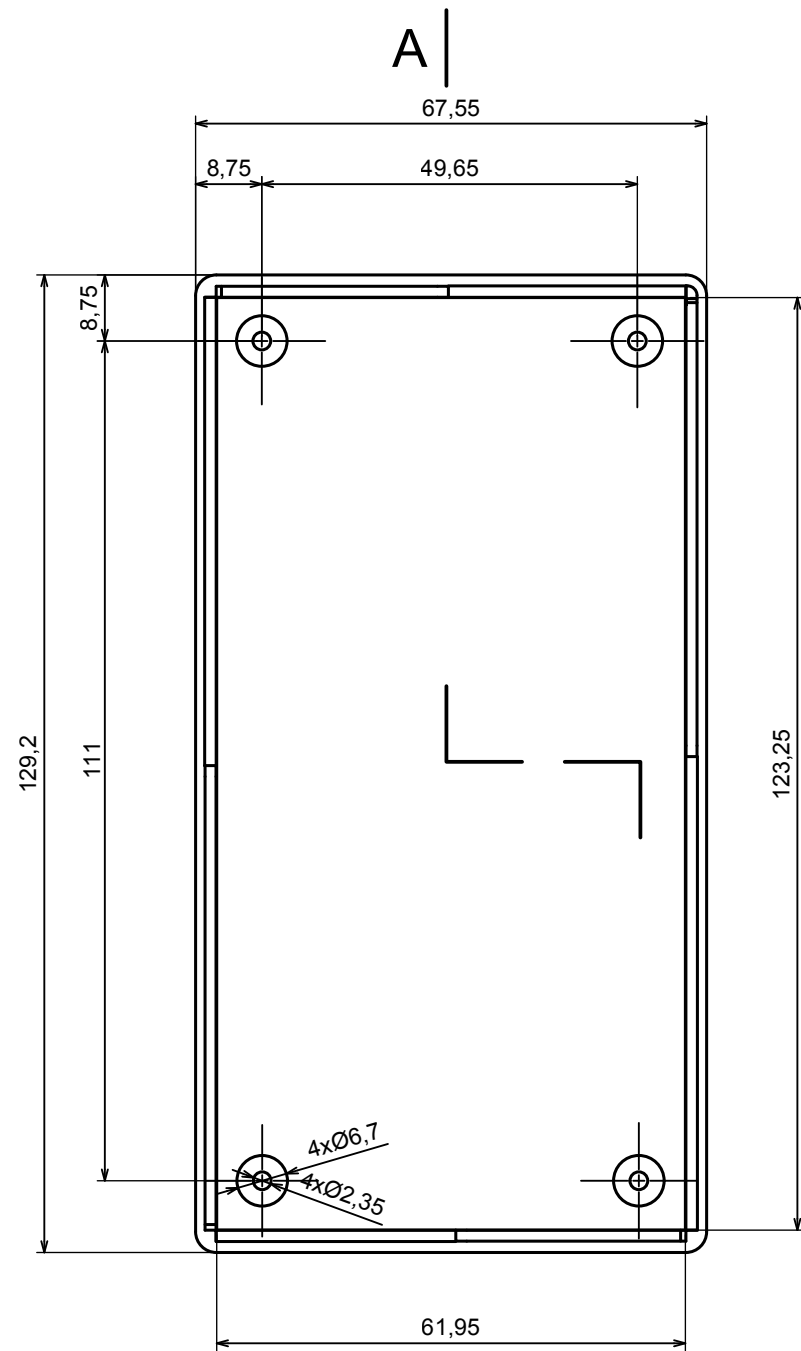


All rights reserved, Copyright Kradex 2016		
Product model	Enclosure Z34A - assembly	
Format: A3	Material: PS, ABS	
Scale 1:1	Tolerance: +/- 0.5	



A |

All rights reserved, Copyright Kradox 2016		
Product model	Enclosure Z34A - base	
Format: A3	Material: PS, ABS	
Scale 1:1	Tolerance: +/- 0.5	



A |

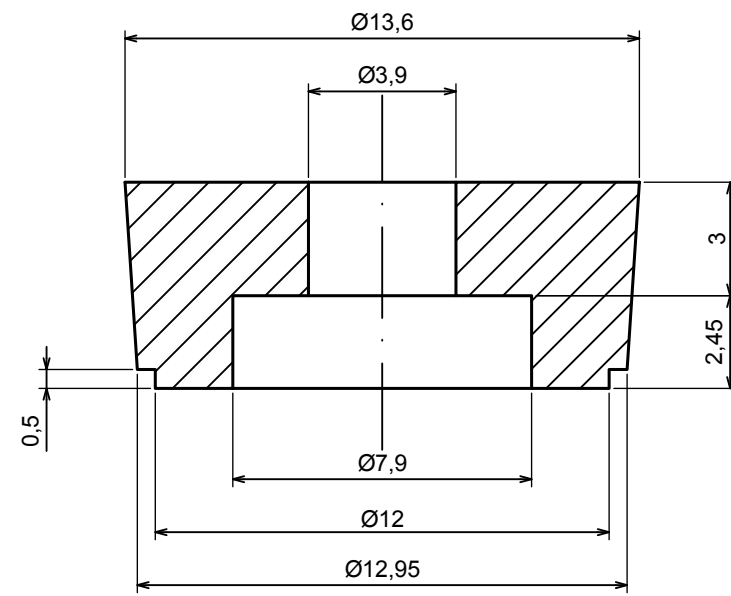
All rights reserved, Copyright Kradox 2016

Product model Enclosure Z34A - cover

Format: A3 Material: PS, ABS

Scale 1:1 Tolerance: +/- 0.5





All rights reserved, Copyright Kradox 2016

Product model	Enclosure Z34A - feet
---------------	-----------------------

Format: A3	Material: PS, ABS
------------	-------------------

Scale 5:1	Tolerance: +/- 0.5
-----------	--------------------

